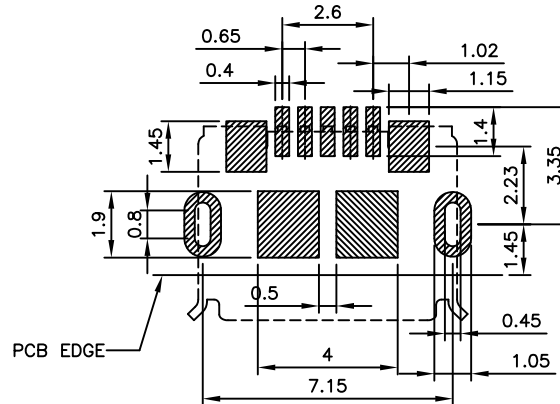
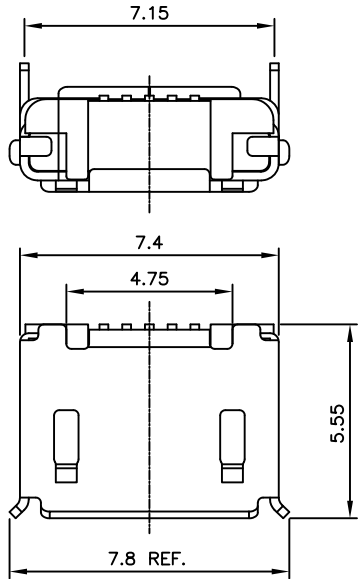
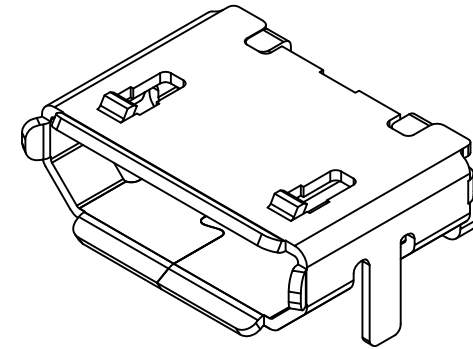


Global Connector Technology Ltd. - USB3075: Micro USB Receptacle, Type B, Surface Mount, Horizontal, Bottom Mount (Standard), without Peg, with Outer Shell Stakes

Designed to comply with physical, electrical and environmental requirements of Micro USB Standard (USB2.0).

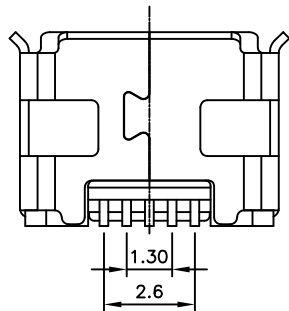
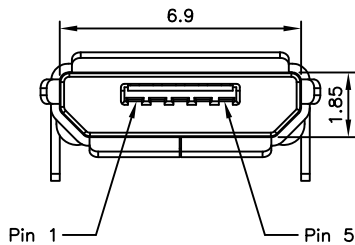
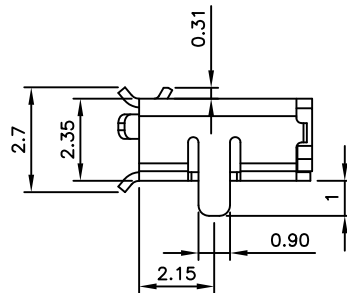


RECOMMENDED P.C.B LAYOUT

GENERAL TOLERANCE:  $\pm 0.05$

AS VIEWED FROM COMPONENT SIDE

- Solder Area
- Component Outline



Ordering Grid

USB3075 - 30 - A REQUEST SAMPLES AND QUOTATION

Contact Plating  
30 = 30u" Gold

Packing Options  
A = Tape & Reel  
(1.5K per Reel)

Specifications 规格:

Materials 材料:

Plastic Housing 塑胶外壳: LCP, UL94V-0, Black, LCP, UL94V-0 黑色  
Contact Terminal 接触端子: Copper Alloy 铜合金  
Metallic Shell 金属外壳: Stainless Steel 不锈钢

Plating 电镀:

Underplating 底层电镀: 50u" Nickel, 50u" 镍  
Finish 表面处理: Contact Area 接触面积: 30u" Gold plating, 30u" 镀金  
Solder Tails 焊接末端: Gold Flash 镀金  
Metallic Shell 金属外壳: Matte Tin 雾锡

Electrical 电气规格:

Voltage Rating 电压额定值: 100 V AC  
Current Rating 电流额定值: Signal(Pins 2,3,4)信号:1.0A.   
Power (Pins1,5)电源:1.8A.  
Operating Temperature 工作温度: -20°C to +85°C  
Contact Resistance 接触电阻值: 30mΩ Max.  
Insulating Resistance 绝缘电阻值: 1000MΩ Min.  
Dielectric Withstand Voltage 耐压: 250V AC/Minute

Mechanical 机械性规格:

Mating Force 插入力: 35N Max.  
Unmating Force 拔出力: 8N Min.  
Durability 耐久性: 10,000 Cycles 次插拔

|          |                 |                |
|----------|-----------------|----------------|
| By       | SA              | CM             |
| DETAIL   | DRAWING RELEASE | DRAWING UPDATE |
| REV DATE | A 04/04/11      | B 26/10/11     |



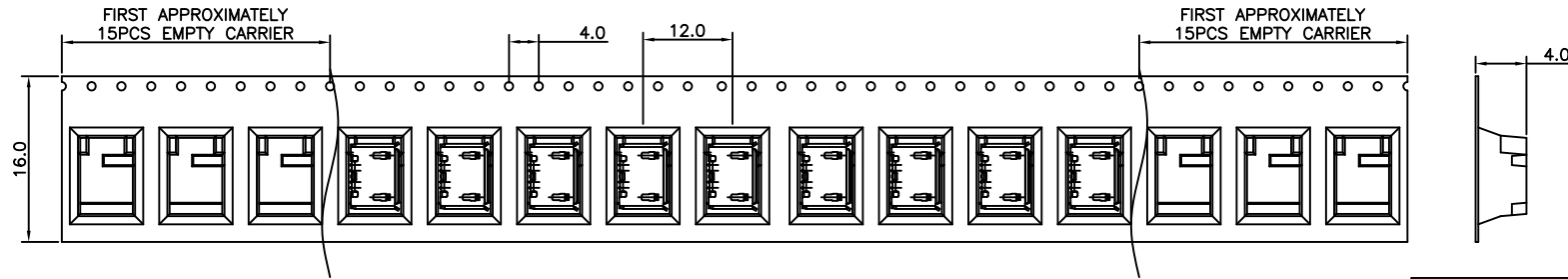
|                              |               |   |           |
|------------------------------|---------------|---|-----------|
| Tolerances (Except as noted) |               | Part Number:-   | Date:-    |
| Dimensions in mm             |               | USB3075   | 04 APR 11 |
| X.X ± 0.2                    | X.X* ± 2*     | Description:-<br>μ USB RECEPTACLE, TYPE B, SMT, HORIZONTAL, BOTTOM MOUNT, NO PEG, WITH SHELL STAKES |           |
| X.XX ± 0.10                  | X.XX* ± 1*    |   |           |
| X.XXX ± 0.05                 | X.XXX* ± 0.5* |   |           |
| Third Angle Projection       |               | © THIS DRAWING IS CONFIDENTIAL AND MUST NOT BE COPIED OR DISCLOSED WITHOUT WRITTEN CONSENT          |           |

**GCT**

www.globalconnectortechnology.com

|       |          |          |          |            |
|-------|----------|----------|----------|------------|
| Scale | Revision | Material | Drawn by | Sheet No.  |
| NTS   | B        | See Note | SA       | E & OE 1/2 |

Global Connector Technology Ltd. - USB3075: Micro USB Receptacle, Type B, Surface Mount, Horizontal, Bottom Mount (Standard), without Peg, with Outer Shell Stakes

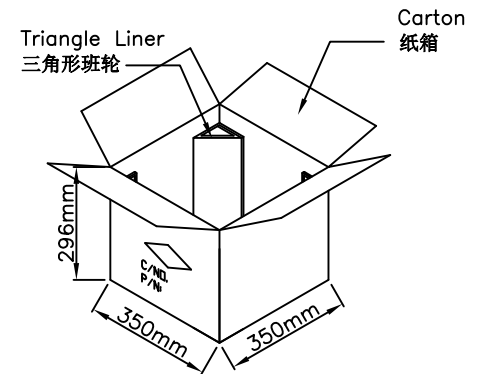
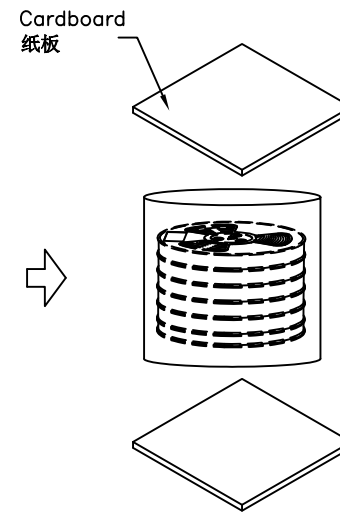
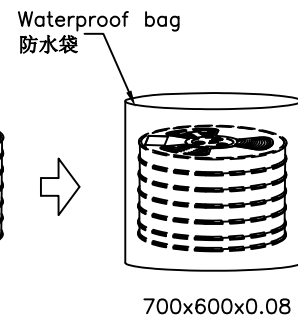
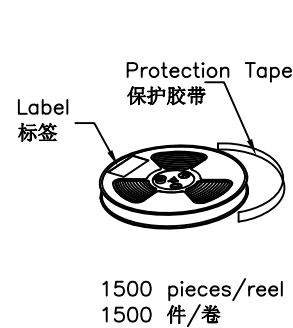
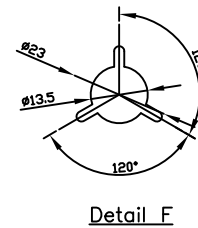
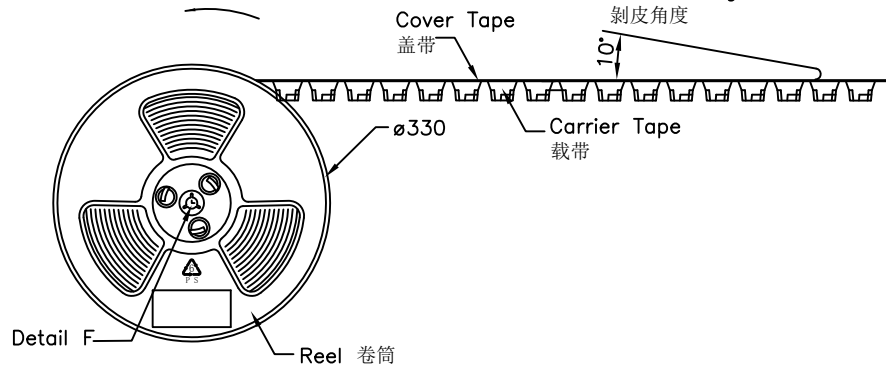


| Products P/N | PCS/Reel | Reels/Carton | PCS/Carton |
|--------------|----------|--------------|------------|
| USB3075-30-A | 1500     | 5            | 7500       |

Notes注意:

1. Peeling off force of top tape: 0.1-1.3N
2. Part Conforms to EIA-481-C Standards 产品符合EIA-481-C标准
3. All dimensions in millimeters 所有尺寸均是毫米
4. 10 sprocket hole pitch cumulative tolerance±0.2mm

I/O Direction  
卷盤繞逆時針方向轉動



| By       | SA              | CM             |
|----------|-----------------|----------------|
| DETAIL   | DRAWING RELEASE | DRAWING UPDATE |
| REV DATE | A 04/04/11      | B 26/10/11     |



|                                 |  |                     |
|---------------------------------|--|---------------------|
| Tolerances<br>(Except as noted) | Part Number:-<br>USB3075   | Date:-<br>04 APR 11 |
| Dimensions in mm                | Description:-<br>μ USB RECEPTACLE, TYPE B, SMT, HORIZONTAL,<br>BOTTOM MOUNT, NO PEG, WITH SHELL STAKES |                     |
| Third Angle Projection          | © THIS DRAWING IS CONFIDENTIAL AND MUST NOT BE<br>COPIED OR DISCLOSED WITHOUT WRITTEN CONSENT          |                     |

|                             |               |                      |                |                  |
|-----------------------------|---------------|----------------------|----------------|------------------|
| <b>GCT</b>                  |               |                      |                |                  |
| www.globalconnectortech.com |               |                      |                |                  |
| Scale<br>NTS                | Revision<br>B | Material<br>See Note | Drawn by<br>SA | Sheet No.<br>2/2 |