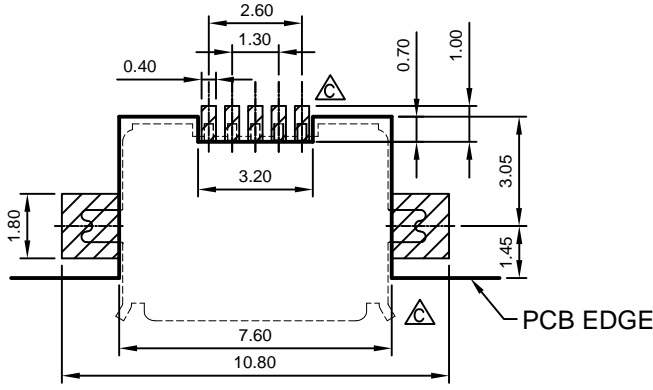
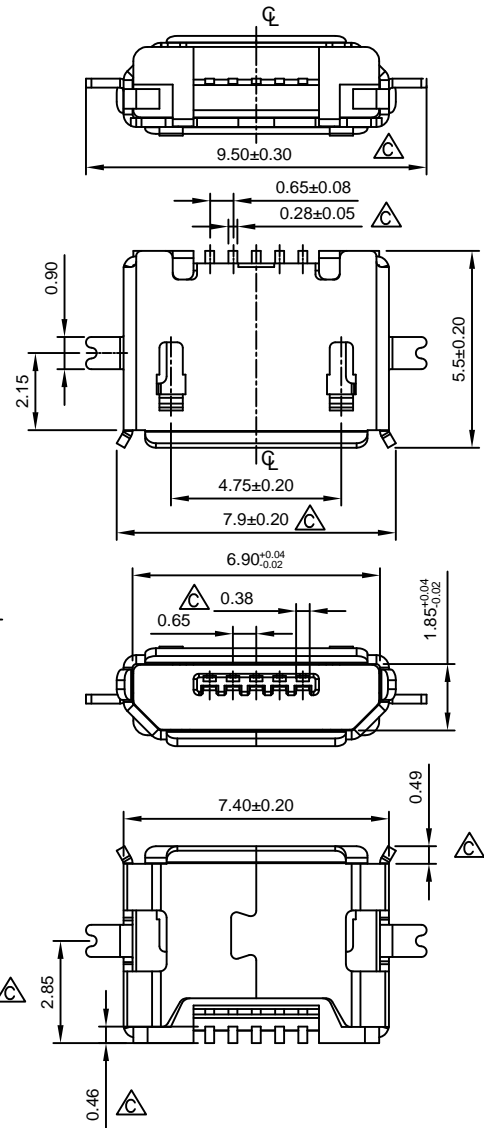
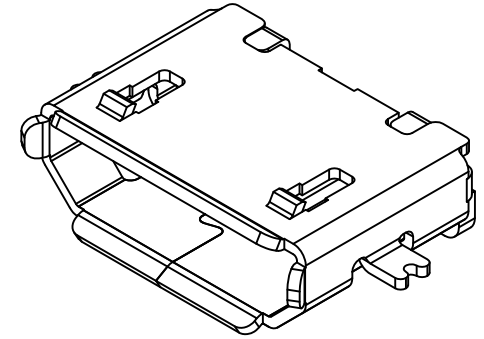
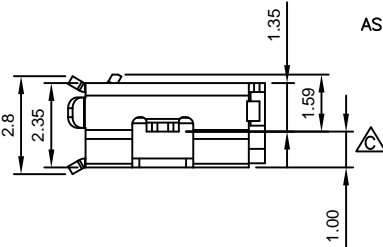


Designed to comply with physical, electrical and environmental requirements of Micro USB Standard (USB2.0).



**RECOMMENDED P.C.B LAYOUT**  
 GENERAL TOLERANCE: ±0.05  
 AS VIEWED FROM COMPONENT SIDE  
 [Hatched Area] Solder Area  
 [Dashed Outline] Component Outline



Ordering Grid  
**USB3070** - **30** - **A** **REQUEST SAMPLES AND QUOTATION**  
 Contact Plating: 30 = 30u" Gold  
 Packing Options: A = Tape & Reel (1.5K per Reel)

**Specifications 规格:**

**Materials 材料:**  
 Plastic Housing 塑胶外壳: LCP, UL94V-0, Black, LCP, UL94V-0 黑色  
 Contact Terminal 接触端子: Copper Alloy 铜合金  
 Metallic Shell 金属外壳: Stainless Steel 不锈钢

**Plating 电镀:**  
 Underplating 底层电镀: 50µ" Nickel, 50µ" 镍  
 Finish 表面处理: Contact Area 接触面积: 30µ" Gold plating, 30µ" 镀金  
 Solder Tails 焊接末端: Gold Flash 镀金  
 Metallic Shell 金属外壳: Matte Tin 雾锡

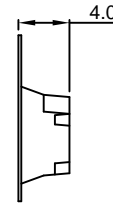
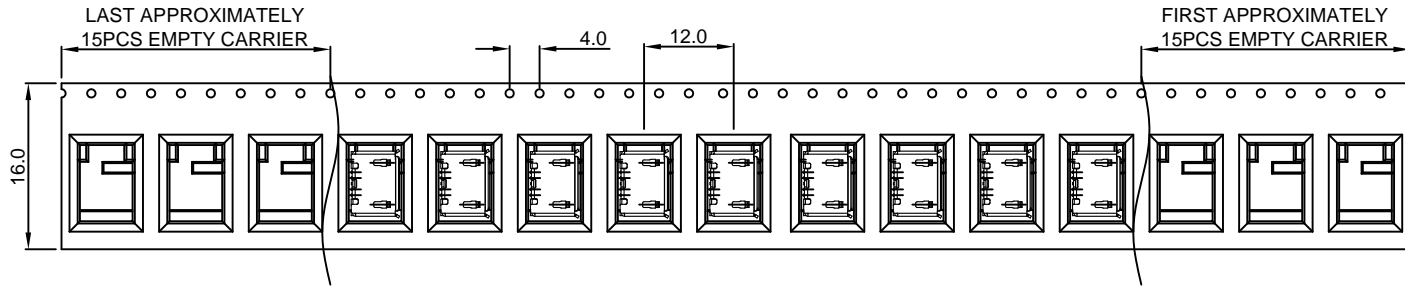
**Electrical 电气规格:**  
 Voltage Rating 电压额定值: 100 V AC  
 Current Rating 电流额定值: Signal(Pins 2,3,4)信号:1.0 A. **B**  
 Power (Pins1,5)电源:1.8A. **B**  
 Operating Temperature 工作温度: -20°C to +85°C  
 Contact Resistance 接触电阻值: 30mΩ Max.  
 Insulating Resistance 绝缘电阻值: 1000MΩ Min.  
 Dielectric Withstand Voltage 耐电压: 250V AC/Minute

**Mechanical 机械性规格:**  
 Mating Force 插入力: 35N Max.  
 Unmating Force 拨出力: 8N Min.  
 Durability 耐久性: 10,000 Cycles 次插拔

By	SA	CM	ASE
DETAIL	DRAWING RELEASE	DRAWING UPDATE	PCN: USB3070-001
REV DATE	A 04/04/11	B 26/10/11	C 29/02/12

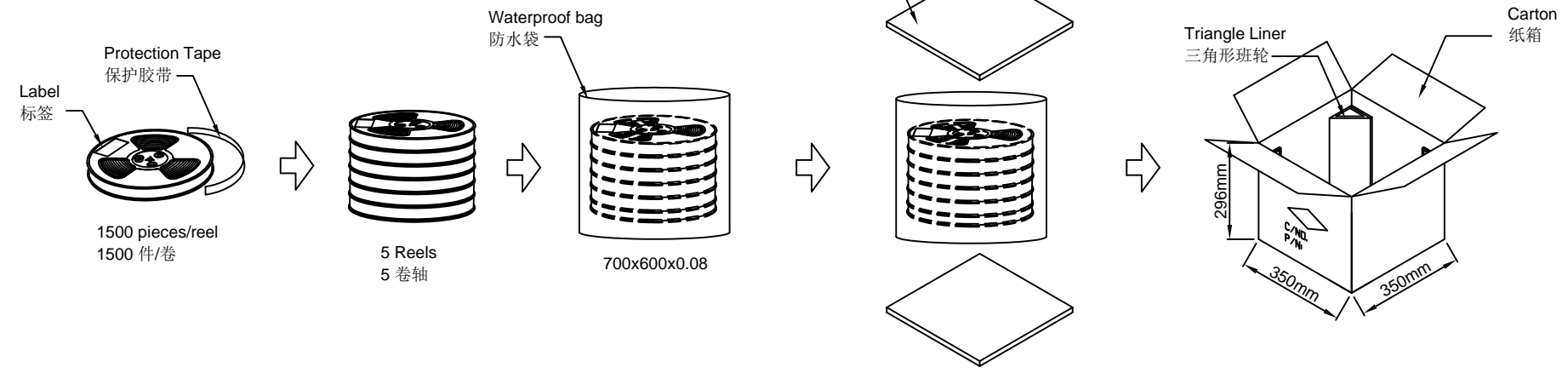
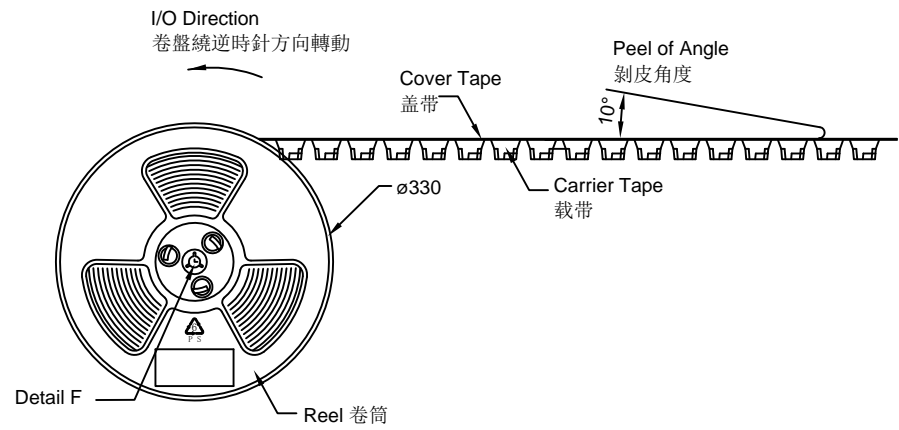
	Tolerances (Except as noted)		Part Number:-	Date:-	<p>www.globalconnectortechonlogy.com</p>	
	Dimensions in mm		USB3070			04 APR 11
	X.X ± 0.4	X.X° ± 2°	Description:-			
	X.XX ± 0.25	X.XX° ± 1°	µ USB RECEPTACLE, TYPE B, MID MOUNT SMT, R/A, BOTTOM MOUNT, OFFSET 1.59MM, WITHOUT PEG			
X.XXX ± 0.05 X.XXX° ± 0.5°		THIS DRAWING IS CONFIDENTIAL AND MUST NOT BE COPIED OR DISCLOSED WITHOUT WRITTEN CONSENT		Scale NTS	Revision C	
Third Angle Projection				Material See Note	Drawn by SA	
				E & OE	Sheet No. 1/2	

Global Connector Technology Ltd. - USB3070: Micro USB Receptacle, Type B, Mid Mount SMT, Horizontal, Bottom Mount (Standard), Offset 1.59mm, without Peg



Products P/N	PCS/Reel	Reels/Carton	PCS/Carton
USB3070-30-A	1500	5	7500

- Notes 注意:
1. Peeling off force of top tape: 0.1-1.3N
  2. Part Conforms to EIA-481-C Standards 产品符合EIA-481-C标准
  3. All dimensions in millimeters 所有尺寸均是毫米
  4. 10 sprocket hole pitch cumulative tolerance±0.2mm



By	SA	CM	ASE
DETAIL	DRAWING RELEASE	DRAWING UPDATE	PCN: USB3070-001
REV DATE	A 04/04/11	B 26/10/11	C 29/02/12



Tolerances (Except as noted)	Part Number:-	Date:-
Dimensions in mm	USB3070	04 APR 11
	Description:-	
	μ USB RECEPTACLE, TYPE B, MID MOUNT SMT, R/A, BOTTOM MOUNT, OFFSET 1.59MM, WITHOUT PEG	
Third Angle Projection	© THIS DRAWING IS CONFIDENTIAL AND MUST NOT BE COPIED OR DISCLOSED WITHOUT WRITTEN CONSENT	

**GCT**

www.globalconnectortech.com

Scale NTS	Revision C	Material See Note	Drawn by SA	E & OE	Sheet No. 2/2
-----------	------------	-------------------	-------------	--------	---------------