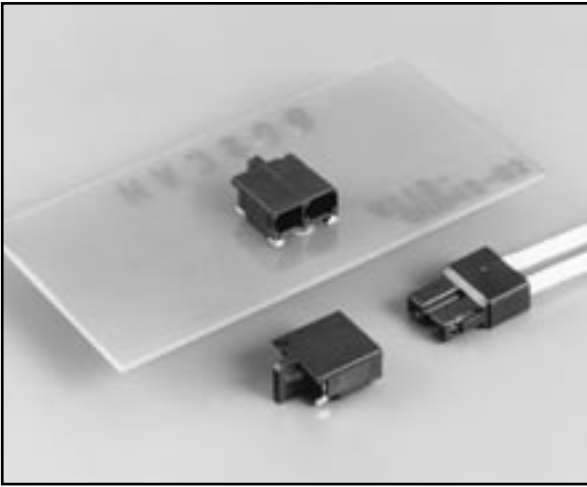


HV SERIES CONNECTORS

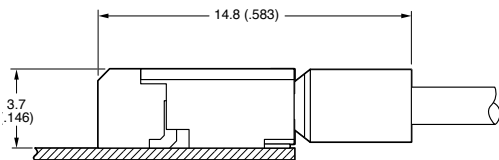
2.8mm (.110") Contact Spacing, PCB-to-Cable Connectors



FEATURES

- Low profile, 3.7mm (.146") total mated height
- SMT Pin Header (supplied in embossed tape for auto-mounting)
- Metal hold-down provides retention after soldering to PCB
- Boxed type pin header design prevents mismatching

Connector Profile (Ref.)



• Applicable Wire and Crimp Tooling

	Part Number	AWG#
Semi-automatic Crimping Machine	CT350-2-ILZ1	#22 - #26 (0.32 - 0.12 Square)
Applicator for Semi-automatic Crimping Machine	350-ILZ1-2	#22 - #26 (0.32 - 0.12 Square)
Hand Crimping Tool	CT150-4-ILZ1	#22 - #26 (0.32 - 0.12 Square)



The HV Series is a board-to-cable connector designed for backlight power sources and high voltage.

GENERAL SPECIFICATIONS

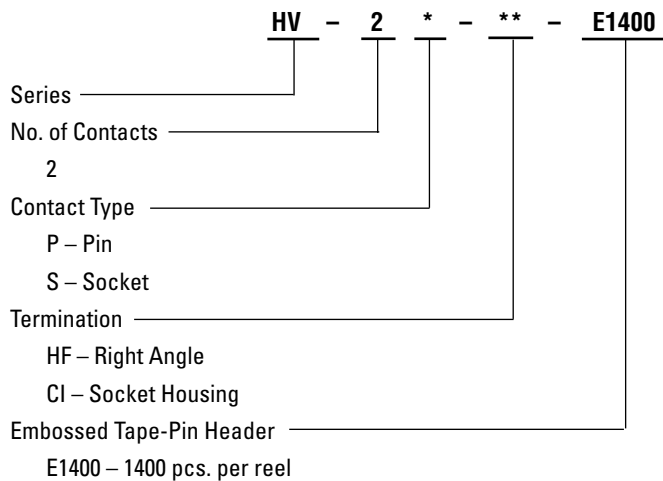
Number of Contacts	2
Contact Spacing	2.8mm (.110")
Current Rating	1 Amp per contact
Dielectric Withstanding Voltage	4500 VAC r.m.s. (for one minute)
Insulation Resistance	100 megohms min.
Contact Resistance	20 milliohms max.
Operating Temperature	-40°C to +85°C
Applicable Wire Sizes	#22 ~ #26 AWG

MATERIALS AND FINISHES*

Description	Materials/Finishes
Pin Contact	Phosphor Bronze, Tin Plated
Pin Insulator	PPS (UL94V-0, Light Gray)
Hold Down	Phosphor Bronze, Tin Plated
Socket Housing	Glass-filled 66 Nylon (UL94V-0, Brown)
Socket Contact	Phosphor Bronze, Tin Plated

*Please contact JAE for lead-free product availability.

ORDERING INFORMATION



Socket Contact: IL-Z-CI-A-7000