


**PTQ 0,3/ 2-2,5 THR R32**

Order No.: 1702610

<http://eshop.phoenixcontact.co.uk/phoenix/treeViewClick.do?UID=1702610>

PC terminal block, Nominal current: 4 A, Nom. voltage: 160 V, Pitch: 2.5 mm, Number of positions: 2, Connection method: Insulation displacement connection QUICKON, Mounting: SMD/THT/THR, Conductor/PCB connection direction: 0 °, Color: black

**Commercial data**

EAN	 4 046356 599498
Pack	250
Customs tariff	85369010
Country of Origin	DE
Catalog page information	Page 58 (CC-2011)

**Product notes**

WEEE/RoHS-compliant since:  
19/07/2010



Please note that the data given here has been taken from the online catalog. For comprehensive information and data, please refer to the user documentation at <http://www.download.phoenixcontact.com>. The General Terms and Conditions of Use apply to Internet downloads.

**Technical data****Dimensions / positions**

Length	17.55 mm
Height	8 mm
Width	7 mm
Pitch	2.5 mm

Dimension a	2.5 mm
Number of positions	2
Pin spacing	2.5 mm
Hole diameter	1.1 mm

**Technical data**

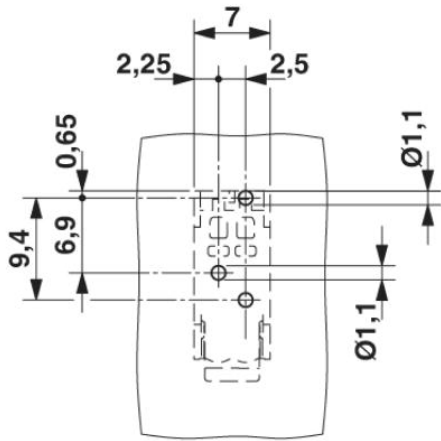
Range of articles	PTQ 0,3/..-THR
Insulating material group	IIIa
Rated surge voltage (III/3)	2.5 kV
Rated surge voltage (III/2)	2.5 kV
Rated surge voltage (II/2)	2.5 kV
Rated voltage (III/3)	160 V
Rated voltage (III/2)	160 V
Rated voltage (II/2)	200 V
Nominal current $I_N$	4 A
Nominal cross section	0.34 mm <sup>2</sup>
Maximum load current	4 A
Insulating material	LCP
Inflammability class according to UL 94	V0

**Connection data**

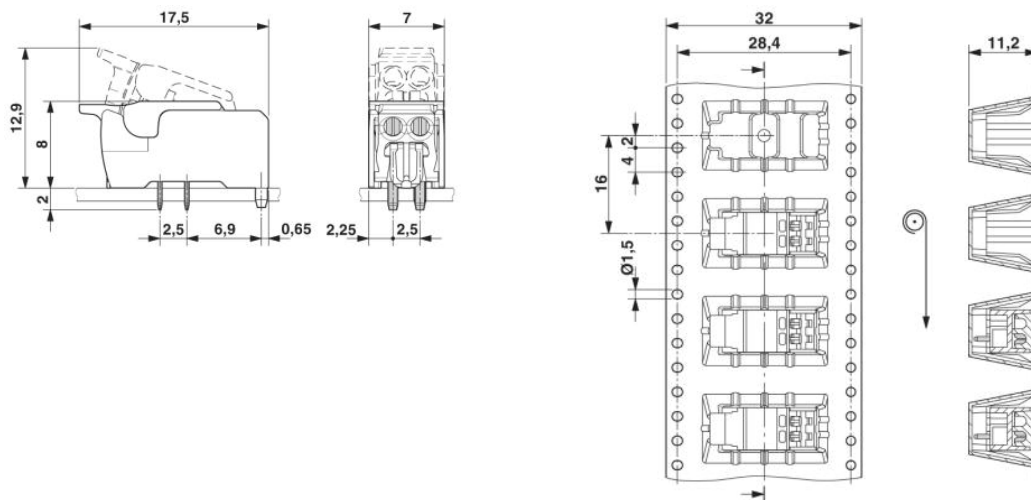
Conductor cross section solid min.	0.14 mm <sup>2</sup>
Conductor cross section solid max.	0.34 mm <sup>2</sup>
Conductor cross section stranded min.	0.14 mm <sup>2</sup>
Conductor cross section stranded max.	0.34 mm <sup>2</sup>
Conductor cross section AWG/kcmil min.	26
Conductor cross section AWG/kcmil max	22

## Drawings

Drilling plan/solder pad geometry



Dimensioned drawing



**Address**

PHOENIX CONTACT Ltd  
Halesfield 13  
Telford / Shropshire / TF7 4PG, England  
Phone 01952 681 700  
Fax 01952 681 799  
<http://www.phoenixcontact.co.uk>



Phoenix Contact Ltd.  
Technical modifications reserved;