

Features

LED DRIVER

- 70W Buck LED Driver
- Constant Current Output (350 to 1200mA)
- Digital PWM and Analogue Voltage Dimming
- High Efficiency to 96%
- EN and UL (pending)
- Metal or Plastic Case Version
- Through Hole Case or Wired Version
- 5 Year Warranty

Description

The RCD-48 series is a step-down constant current source designed for driving high power LED applications. Four output currents are available. The maximum output voltage is 60V. The buck drivers have digital PWM and/or analogue voltage dimming control and are special featured with very high efficiency. Typical applications are 48V bus lighting solutions or high voltage LED arrays (e.g. high bay lights).

Selection Guide

Part Number	Input Range (VDC)	Output Current (mA)	Output Voltage (VDC)	Dimming Control	Efficiency Typ. (%)
RCD-48-0.35*	9-60	0-350	2-56	Digital + Analogue	96
RCD-48-0.50*	9-60	0-500	2-56	Digital + Analogue	96
RCD-48-0.70*	9-60	0-700	2-56	Digital + Analogue	96
RCD-48-1.20/M	9-60	0-1200	2-56	Digital + Analogue	96

*add suffix "/W" for wired version with Vref output and analogue + PWM dimming control (seven wires)
Note:

Add suffix "/M" for metal case (RCD-48-1.20/M only). No metal case with wires available.
Standard version (no suffix) and wired version (suffix /W) only in plastic case.

Specifications (typical at 25°C, nominal input voltage, rated output current unless otherwise specified)

Operating Input Voltage Range	9-60VDC	
Absolute Maximum Input Voltage	65VDC max.	
Output LED String Voltage Range	2V min. / 56V max.	
(depend on the input voltage, defined by the output impedance, see Safe Operating Area)		
Input Filter	Capacitor	
Output Current Accuracy	±3% typ. / ±5% max.	
Internal Power Dissipation	Vin=60V, Vout=56V, Iout=350-700mA	1.5W typ.
	Vin=60V, Vout=56V, Iout=1200mA	1.3W typ.
Output Current Stability	Vin=60V, Vout=2-56V, Iout=350-1200mA	±1% max.
Output Ripple and Noise (20MHz BW)	Vin=60V, Vout=2-56V, Iout=350-1200mA	300mVp-p max.
Maximum Capacitive Load	100µF max.	
Switching Frequency	50kHz min. / 100kHz max.	
Efficiency at Full Load	96% typ.	

PWM DIMMING CONTROL & REMOTE ON/OFF CONTROL

Input Voltage Range	5V typ. / 10V max.	
Threshold Voltage	Device ON	0.5V max.
	Device OFF	2.0V min.
Frequency	200Hz min. / 1000Hz max.	
Sink Output Current	V _{PWM} = 5V	0.5mA max.

ANALOGUE DIMMING CONTROL (Leave open if not used - do not tie to +Vin)

10V max.	Input Voltage Range	
5.0V max.	Control Voltage Range	
0.2mA max.	Sink Output Current	V _{analogue} = 5V

Note: The analogue dimming range is from 0% to 100%, but the output can be unstable below 10%, when using the analogue dimming function.

Operating Temperature (free air convection)	350mA	-40°C to +85°C
	500mA	-40°C to +80°C
	700mA	-40°C to +75°C
	1200mA	-40°C to +60°C

Analogue and PWM Dimming Control Note: Leave open if not used - do not tie to +Vin

LIGHTLINE
DC/DC-Converter
with 5 year Warranty

RECOM

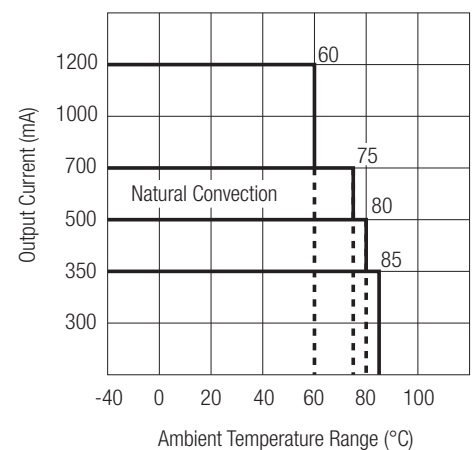
Constant Current Buck LED Driver



EN-60950-1 (pending)
UL-60950-1 (pending)

RCD-48

Derating Graph



Please Read Application Notes

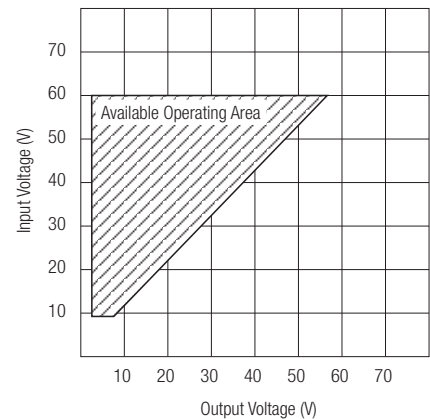
www.recom-electronic.com

Specifications

Operating Case Temperature	Plastic Case	100°C max.
	Metal Case	110°C max.
Storage Temperature		-55°C to +125°C
Case Thermal Impedance		10°C/W typ.
Overtemperature Shutdown (Auto-Restart after cool down)	Internal IC Temperature	150°C typ.
	Temperature Hysteresis	25°C typ.
Soldering Temperature		265°C / 10sec. max.
Relative Humidity		95% RH
Input Filter		Capacitor only
Short Circuit Protection		Regulated at rated output current
Case Material		Non Conductive Black Plastic
		Metal Case
Potting Material		Silicone Potting Material (UL94V-0)
Case Dimensions	Plastic Case	32.6 x 16.65 x 11.10 mm
	Metal Case	32.6 x 16.0 x 11.2 mm
Package Weight	Pinned (Plastic Case)	13g
	Wired (Plastic Case)	16g
	Pinned (Metal Case)	16g
Packing Quantity	Pinned (Plastic/Metal Case)	29 pcs.
	Wired (Plastic Case)	3 pcs.
MTBF (using MIL-HDBK217F)	+25°C	1700 x 10 ³ hours
(Nominal Vin at Full Load)	+75°C	800 x 10 ³ hours

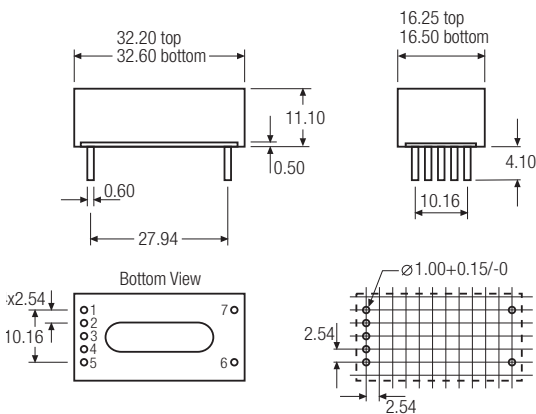
Note: Detailed Information see Application Notes chapter "MTBF"

Safe Operating Area

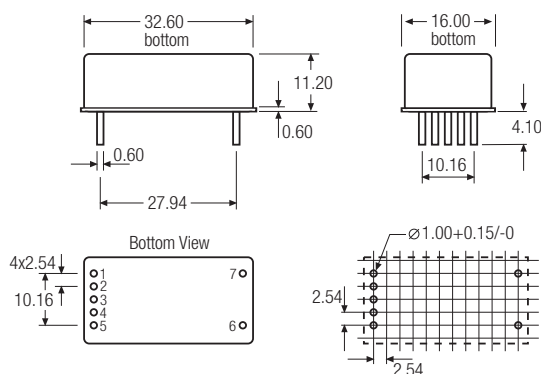


Package Style and Pinning

Through Hole Case (Plastic)



Through Hole Case (Metal)



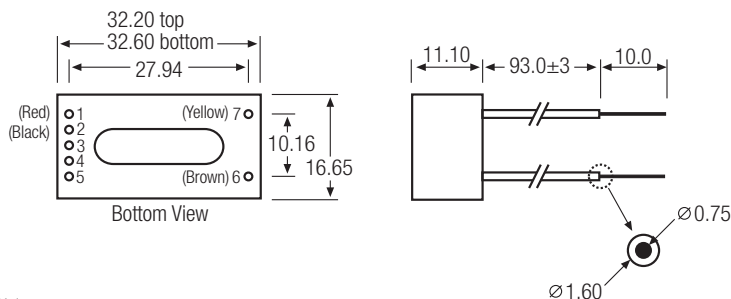
Pin Connections RCD-48-x.xx

Pin#	Function	Comments
1	+Vin	DC Supply
2	GND	Do not connect to -Vout
3	Vref	Vref Voltage 5V typ.
4	PWM/ON/OFF	Leave open if not used
5	Analogue Dimming	Leave open if not used
6	-Vout	LED Cathode Connection
7	+Vout	LED Anode Connection

Unit: mm
Tolerance:
XX.X ± 0.5 mm
XX.XX ± 0.25 mm

Package Style and Pinning

Wired Version (Plastic)



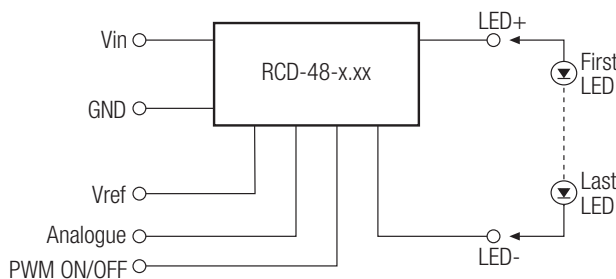
Unit: mm
Tolerance:
XX ± 0.25 mm
X ± 1.0 mm

Wire Connections	RCD-48-x.xx	
Pin#	Function	Wire color
1	+Vin	Red
2	GND	Black
3	Vref	Yellow
4	PWM/ON/OFF	Blue
5	Analogue Dimming	Green
6	LED-	Brown
7	LED+	Yellow

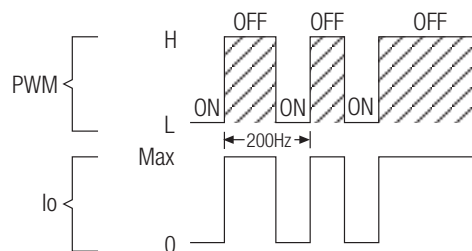
Wires: UL/CSA approved (22AWG/300V)

Standard Application

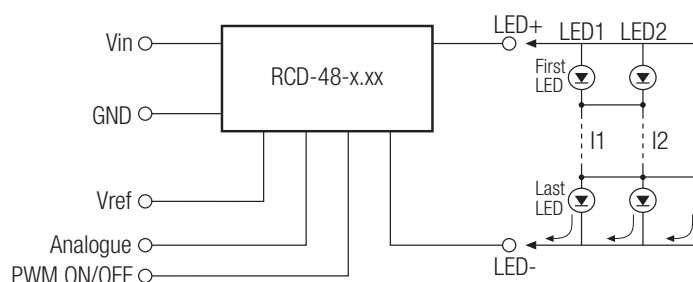
Single String Application



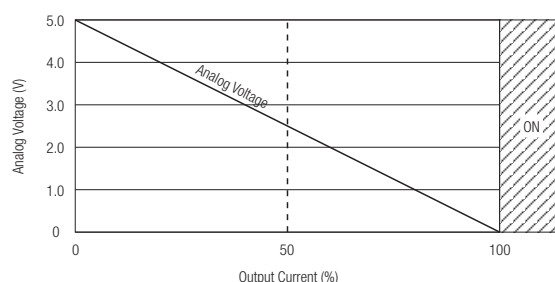
PWM Dimming Controlled



Lighting/Backlighting Wall Application



Dimming Controlled by Analog Voltage



High Efficiency Lighting

