



Quality & Service ISO9001 ISO14001

Company

Products

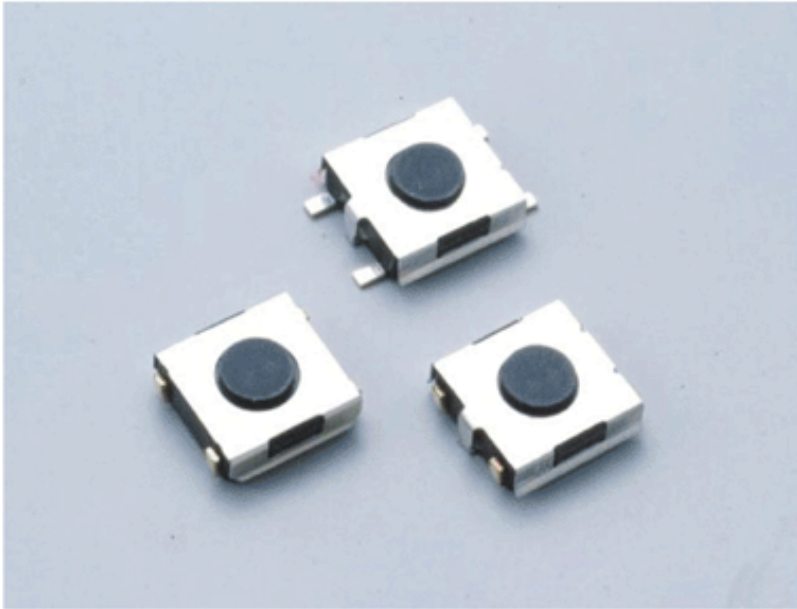
Activities

E-mail

DIPTRONICS MANUFACTURING INC.

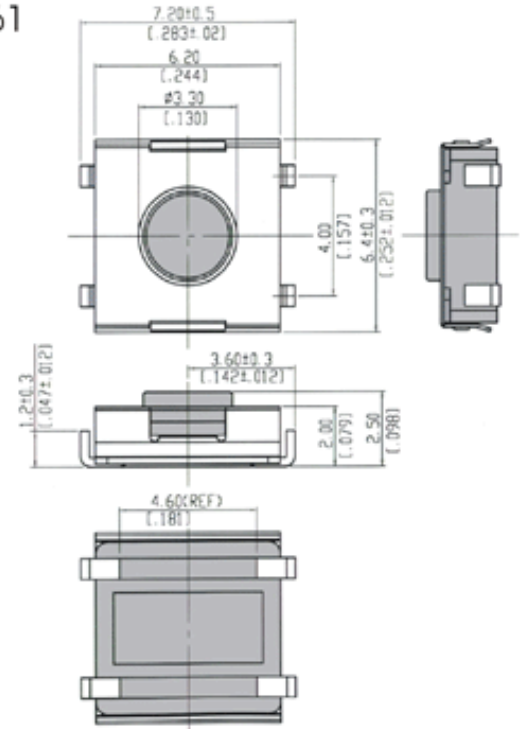
DIP SWITCH

TACT SWITCH

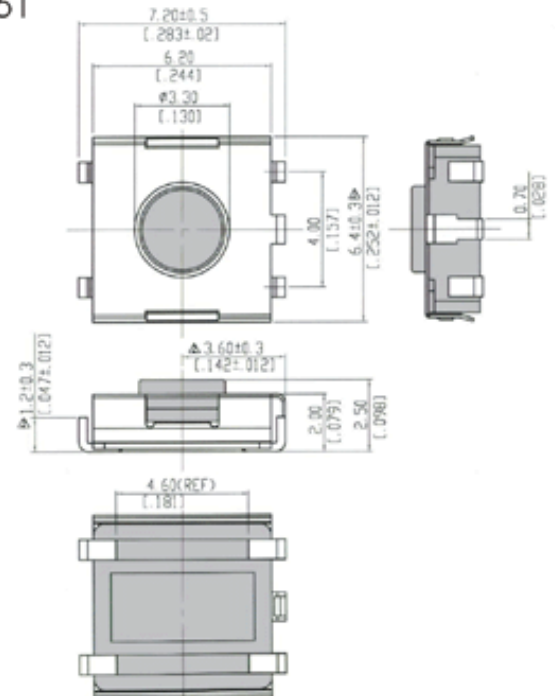


DIMENSIONS

DTSL-61



DTSG-L-61



FEATURES

1. Available sharp click feel with a positive tactile feedback. Due to small movement distance (stroke), user experiences distinct sensation when the switch "clicks" into place.
2. Ultraminiature and light weight structure suitable for high density mounting. Economic but high reliability.
3. Insert molding in the contact with special treatment prevents flux build-up during soldering and permits auto-dipping.

MATERIALS

△COVER: Steel, Tin plated

△BASE: UL94V-0 Nylon Thermoplastic.

Color: Black.

△STEM: UL94V-0 Nylon Thermoplastic.

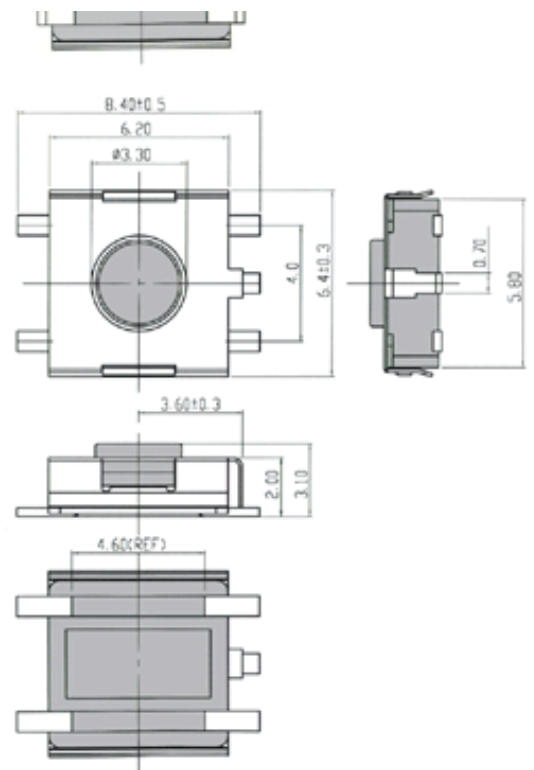
Color: Black(100gf), Brown(160gf), Red(260gf), Salmon(320gf), Yellow(520gf).

Salmon(320gf), Yellow(520gf).

△CONTACT DISC: Phosphor bronze with silver cladding.

△TERMINAL: Brass with silver cladding.

DTS GF-61



General Tolerance: $\pm 0.2\text{mm}$ ($\pm 0.008''$)

SPECIFICATION

MECHANICAL

	520 \pm 130gf	Yellow	(Y)
	320 \pm 80gf	White	(S)
Operation Force:	260 \pm 50gf	Red	(R)
	160 \pm 50gf	Brown	(N)
	100 \pm 50gf	Black	(K)

Stroke: (6x6)0.25 $\begin{matrix} +0.2 \text{ mm} \\ -0.1 \text{ mm} \end{matrix}$

Operation Temperature Range: -25°C to +70°C

Storage Temperature Range: -30°C to +80°C

Vibration Test: MIL-STD-202F METHOD 201A.

Frequency: 10-55-10Hz/1 minute.

Directions: X,Y,Z, three mutually perpendicular directions.

Time: 2 hours each direction.

High reliability.

Shock Test: MIL-STD-202F METHOD 213B.

CONDITION A.

Gravity: 50G (peak value), 11 msec.

Direction and times: 6 sides and 3 times in each direction.

High reliability.

ELECTRICAL

HOW TO ORDER

D T S - 6 -

Package Style:
B=Tube
T/R=Tape & Reel

Color Of Stem For Operating Force :

K = Black , 100 gf
N = Brown , 160 gf
R = Red , 260 gf
S = White , 320 gf
Y = Yellow , 520 gf

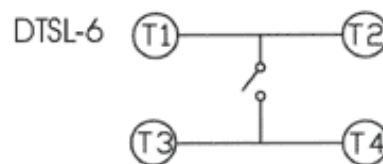
Total Height
1 = 2.5mm

L = With L S.M.T Terminal
F = With F S.M.T Terminal

Prod. Series:

G = With Ground Terminal
 = Without Ground Terminal

CIRCUIT



PRODUCTS

ELECTRICAL

Electrical Life: 50,000 cycles for 260gf, 320gf, 520gf,
500,000 cycles for 100gf, 160gf.

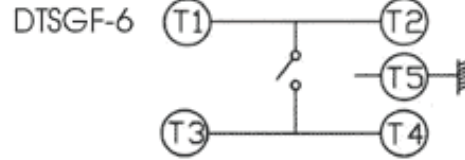
Rating: 50mA, 12VDC.

Contact Resistance: 100mΩ max.

Insulation Resistance: 100MΩ min. at 500VDC.

Dielectric Strength: 250VAC/1 minute.

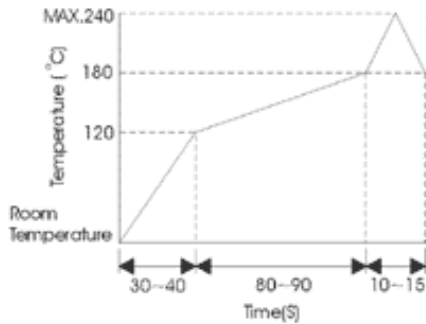
Contact Arrangement: 1 pole 1 throw.



SOLDERING PROCESSES

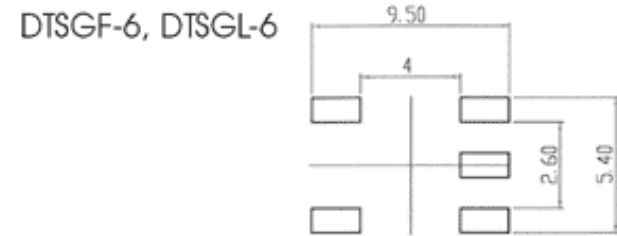
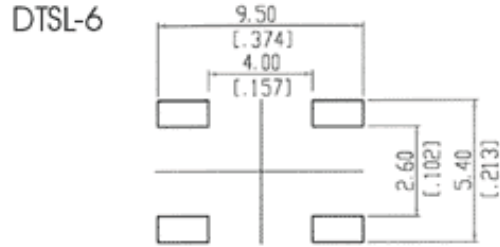
△HAND SOLDERING: Use a soldering iron of 30 watts, controlled at 608°F(320°C) approximately 2 seconds while applying solder.

△REFLOW SOLDERING: When applying reflow Soldering, the peak temperature or the reflow Oven should be set to 240°C max. Condition for soldering (Reflow & Non-washable Type) Temperature Profile:



240°C max. Condition for soldering (Reflow & Non-washable Type) Temperature Profile:

P.C.B. LAYOUT



SPECIFICATIONS ARE SUBJECT TO CHANGE WITHOUT NOTICE.
*MORE UPDATE INFORMATION,PLEASE CONSULT DIPTRONICS.