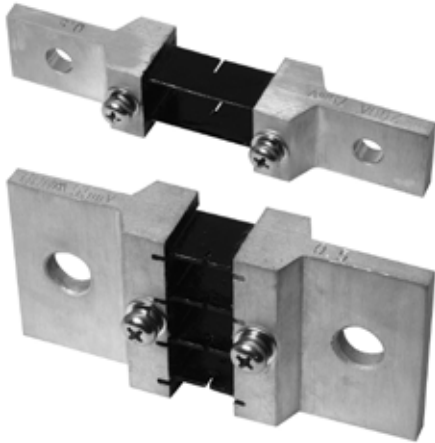


S Series

High Current Shunts



SHUNTS



FEATURES

- 100-1000A ratings
- 0.5% accuracy class
- Manganin (6J13) plate resistive element construction
- T, L, and DIN type terminals
- H59-1 (UNS 37700) Brass Terminal Construction

SERIES SPECIFICATIONS

Series	Terminal Type	Construction	Rated Current	Voltage (mV)	Accuracy Class
SHD1-100C075DE	DIN	Plate	100	75	0.50%
SHT1-200C075DE	T	Plate	200	75	0.50%
SHT1-500C075DE	T	Plate	500	75	0.50%
SHL1-1K0C075DE	L	Plate	1000	75	0.50%

CHARACTERISTICS

Terminal Surface Coating	Acid Wash and Passivation
Resistor plate surface coating	Acid Wash and Passivation
Method of measurement	Null Balance Resistance Bridge
National standard	GB/T7676-1998 (Direct acting indicating analog electrical measuring instruments and their accessories)
Safety standard	IEC610101-1: 1890 (Safety requirements for electrical equipment for measurement, control, and laboratory use-Part I: General requirements)
Environmental standard	SJ/T11363-2006 (Requirements for concentration limits for certain hazardous substances in electronic information products)

S Series

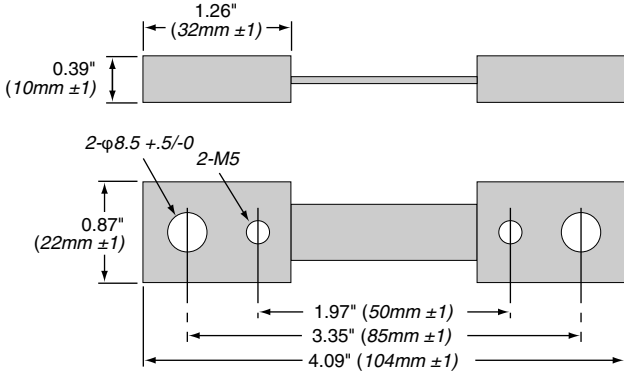
High Current Laboratory Shunts

DIMENSIONS

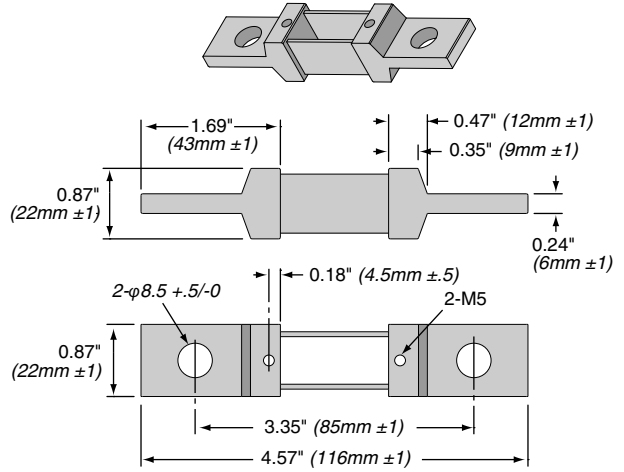
in./mm

SHUNTS

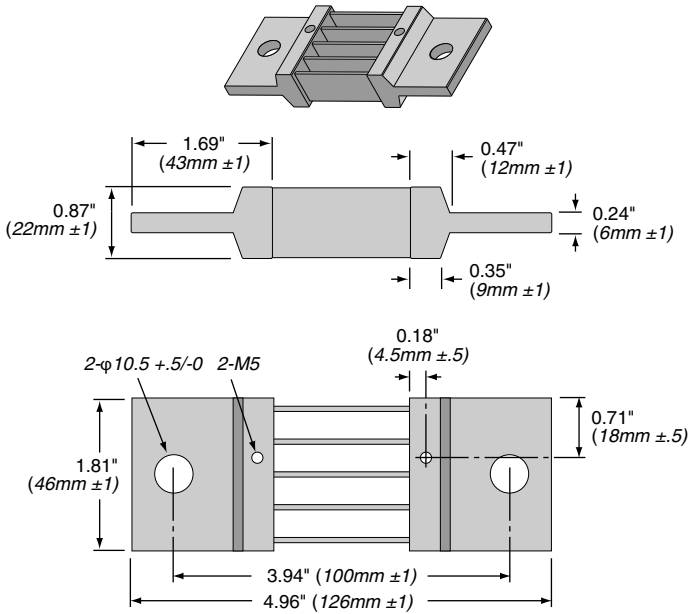
SHD1-100C075DE



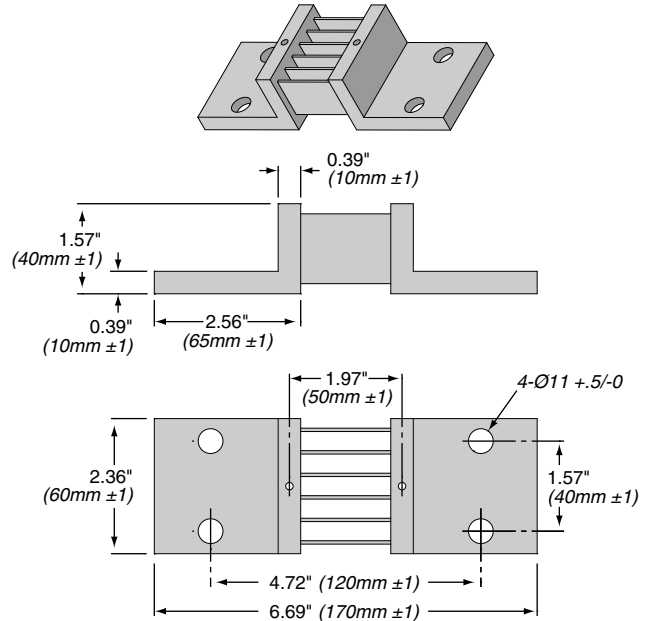
SHT1-200C075DE



SHT1-500C075DE



SHL1-1K0C075DE



HOW TO ORDER

Current				
1K0 = 1000 amps				
500 = 500 amps				
200 = 200 amps				
100 = 100 amps				
RoHS Compliant				
S H L 1 - 1 K 0 C 0 7 5 D E				
Series	Terminal Type	Terminal Material	mV	Tolerance
T = T-type	D = DIN-type	C = copper surface treatment (std.)	075 = 75mV	D = ±0.5%
L = L-type	N = nickel plating		025 = 25mV	F = ±1%
			050 = 50mV	
			060 = 60mV	