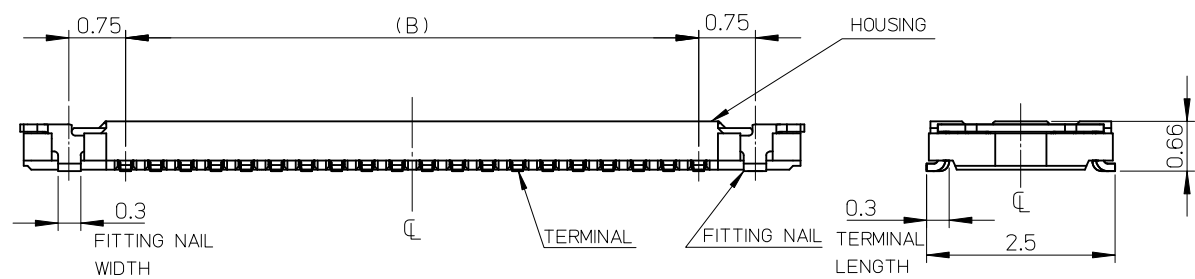
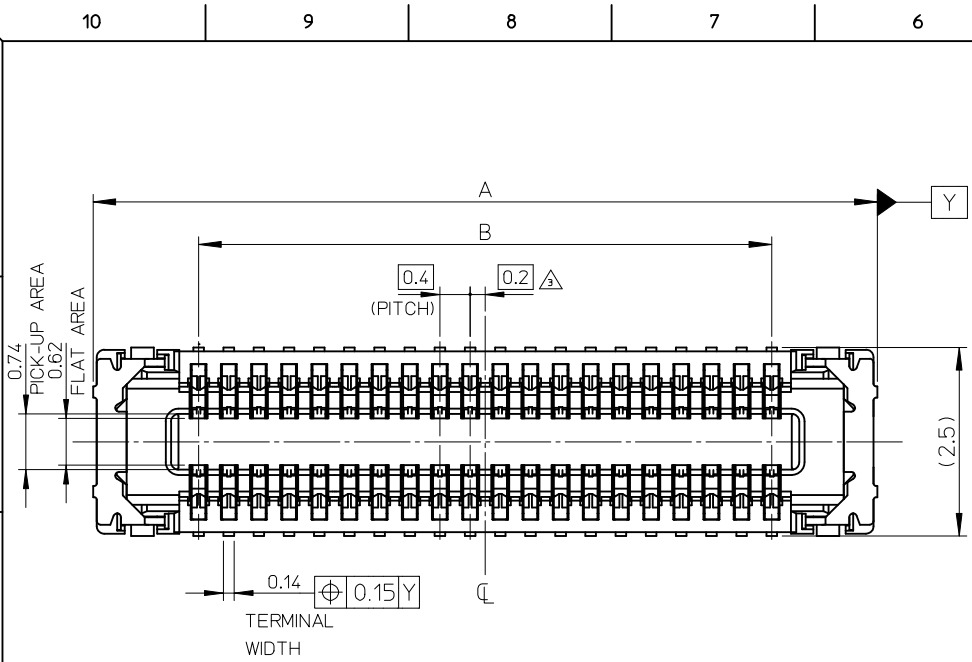


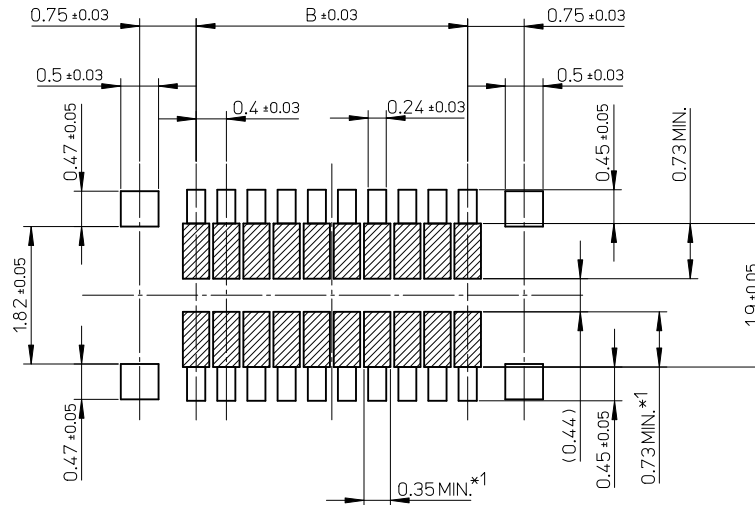
注記 NOTES

1. 使用材料 MATERIAL
 ハウジング : 液晶ポリマー (LCP) UL94V-0 (黒)
 HOUSING: LIQUID CRYSTAL POLYMER UL94V-0 (COLOR: BLACK)
 ターミナル : 銅合金
 TERMINAL : COPPER ALLOY
 金具 : SUS
 FITTING NAIL : STAINLESS STEEL
2. メッキ仕様 PLATING
 ターミナル TERMINAL
 金メッキ
 GOLD
 下地メッキ : ニッケルメッキ
 UNDER PLATING : NICKEL
 ※コンタクト部とテール部はニッケルメッキによって分断されている金メッキです。
 DIVIDE INTO PARTS THE GOLD PLATING OF THE CONTACT AND THE TAIL PART BY THE NICKEL PLATING.
 金具 FITTING NAIL
 金メッキ (半田付部のみ)
 GOLD (SOLDER TAIL ONLY)
 下地メッキ : ニッケルメッキ
 UNDER PLATING : NICKEL
3. (全極数 / 2) = 偶数の場合に適用。
 APPLY FOR (CIRCUIT / 2) = EVEN.
4. 嵌合相手 : 503776 シリーズ
 MATE WITH : 503776 SERIES.
5. テール及び金具の平坦度は、0.08 以下
 TAIL AND FITTING NAIL COPLANARITY TO BE 0.08 MAXIMUM.
6. ELV and RoHS COMPLIANT



6.4	9.2	503772-3410	34
5.6	8.4	503772-3010	30
4.4	7.2	503772-2410	24
3.6	6.4	503772-2010	20
2.8	5.6	503772-1610	16
1.6	4.4	503772-1010	10
B	A	EMBOSSED PACKAGE	
		オーダー番号 ORDER No.	極数 CIRCUITS
		CONNECTOR SERIES NO. : 503772	

REVISED EC NO: J2011-1504 DRWN: KSASAKI 2011/06/08 CHKD: RTAKEUCHI 2011/06/08 APPR: MSASAO 2011/06/13	GENERAL TOLERANCES (UNLESS SPECIFIED)		DIMENSION STYLE	SCALE	DESIGN UNITS	THIRD ANGLE PROJECTION
			MM ONLY	15:1	METRIC	
	10 UNDER	± 0.2	DRAWN BY	DATE	TITLE	
	10 OVER 30 UNDER	± 0.25	KSASAKI	2011/02/21	0.4 BB CONN. HGT=0.8 W=2.5 REC. ASS'Y	
30 OVER	± 0.3	CHECKED BY	DATE	MOLEX INCORPORATED		
		RTAKEUCHI	2011/02/21	SD-503772-001		SHEET NO. 1 OF 2
		APPROVED BY	DATE	MATERIAL NO.		
		MSASAO	2011/06/13	SEE TABLE		
		ANGULAR ±1 °		DOCUMENT NO.		
		DRAFT WHERE APPLICABLE MUST REMAIN WITHIN DIMENSIONS		THIS DRAWING CONTAINS INFORMATION THAT IS PROPRIETARY TO MOLEX INCORPORATED AND SHOULD NOT BE USED WITHOUT WRITTEN PERMISSION		



RECOMMENDED P.W. BOARD
PATTERN LAYOUT

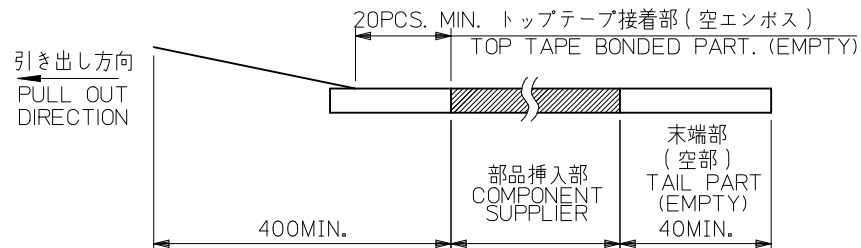
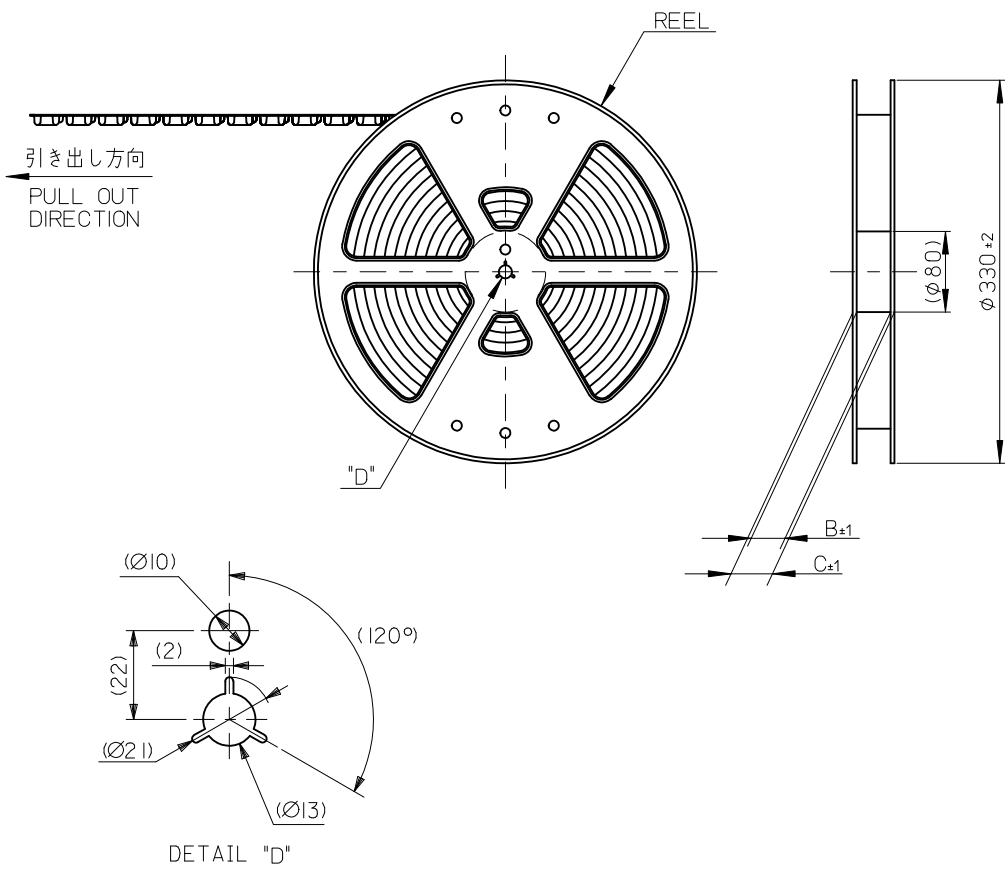
*1 パターン引き回し、および半田禁止エリア
(当該箇所においては、これと接する回路以外の配線を禁止する。
また、接する回路を配線する場合はレジストを施し、この部分に
半田は無きこととする。)

*1 PROHIBITED AREA OF PATTERN WIRING AND SOLDER.
(FOR EACH AREA, THE WIRING THAT TOUCHES ON THE SOLDER
CAN BE ATTACHED, THEN COVERED WITH A FILM TO KEEP SOLDER OUT.)

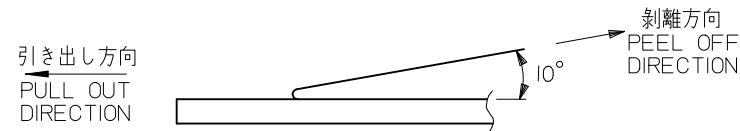
REVISED EC NO: J2011-1504 DR:WKSASAKI 2011/06/08 CHKD:RTAKEUCHI 2011/06/08 APPR:MSASAO 2011/06/13	GENERAL TOLERANCES (UNLESS SPECIFIED)		DIMENSION STYLE MM ONLY	SCALE 20:1	DESIGN UNITS METRIC	THIRD ANGLE PROJECTION
	10 UNDER	± 0.2	DRAWN BY KSASAKI	DATE 2011/02/21	TITLE 0.4 BB CONN. HGT=0.8 W=2.5 REC. ASS'Y	
	10 OVER 30 UNDER	± 0.25	CHECKED BY RTAKEUCHI	DATE 2011/02/21	MOLEX INCORPORATED	
	30 OVER	± 0.3	APPROVED BY MSASAO	DATE 2011/06/13		
ANGULAR	± 1 °	MATERIAL NO. SEE SHEET 1	DOCUMENT NO. SD-503772-001	SHEET NO. 2 OF 2		
	DRAFT WHERE APPLICABLE MUST REMAIN WITHIN DIMENSIONS	SIZE A3	THIS DRAWING CONTAINS INFORMATION THAT IS PROPRIETARY TO MOLEX INCORPORATED AND SHOULD NOT BE USED WITHOUT WRITTEN PERMISSION			

注記 NOTES

- 製品詳細寸法については製品単体図面を参照下さい。
RE DETAILED DIMENSION, SEE PRODUCT DRAWING.
- 梱包数量: 3000 個/リール
NUMBER OF CONNECTORS : 3000PCS/REEL
- リードテープ長さ LEAD TAPE LENGTH



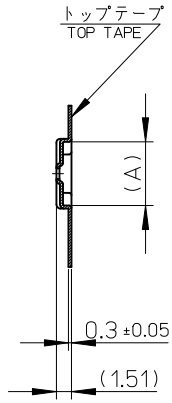
- トップテープの剥離強度: 0.1N~1.3N(10gf~130gf)
(剥離方向は下図参照)
尚、本規格値は出荷時に適用。(但し、輸送時に剥離が発生しないこと。)
PEELING OFF FORCE OF TOP TAPE : 0.1N~1.3N(10gf~130gf)
(PEELING DIRECTION AS SHOWN IN FOLLOWING FIG.)
THIS REQUIREMENT SHOULD BE APPLIED AT SHIPMENT.
PEEL OFF SHOULD NOT BE ALLOWED, DURING TRANSPORTION.



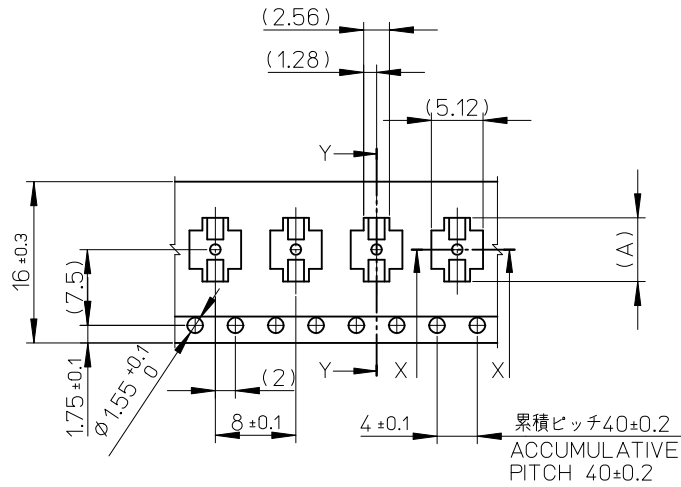
- 材料 MATERIAL
キャリアテープ (CARRIER TAPE): ポリスチレン (POLYSTYRENE)
トップテープ (TOP TAPE): PET, OTHER
リール (REEL): ポリスチレン (PS) <リサイクル材を含む>
POLYSTYRENE (PS) <RECYCLE MATERIAL CONTAINED>
- ELV 及び RoHS適合品
ELV AND RoHS COMPLIANT

RELEASED EC NO: J2011-1504 DRWN:KSASAKI 2011/06/09 CHKD:RTAKEUCHI 2011/06/09 APPR:MSASAO 2011/06/13	DESCRIPTION REV: O	GENERAL TOLERANCES (UNLESS SPECIFIED)		DIMENSION STYLE MM ONLY	SCALE ---:---	DESIGN UNITS METRIC	MODEL NO. 503772-***0
		10 UNDER	± 0.2	DRAWN BY KSASAKI	DATE 2011/06/09	TITLE	0.4 BB CONN. HGT=0.8 REC ASSY EMBSTP PKG
		10 OVER 30 UNDER	± 0.25	CHECKED BY RTAKEUCHI	DATE 2011/06/09	MOLEX INCORPORATED	
		30 OVER	± 0.3	APPROVED BY MSASAO	DATE 2011/06/13		DOCUMENT NO. SD-503772-002
ANGULAR ±1 °		DRAFT WHERE APPLICABLE MUST REMAIN WITHIN DIMENSIONS		SEE CHART		THIS DRAWING CONTAINS INFORMATION THAT IS PROPRIETARY TO MOLEX INCORPORATED AND SHOULD NOT BE USED WITHOUT WRITTEN PERMISSION	

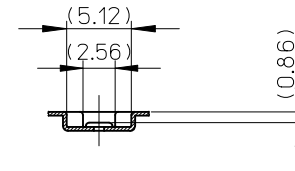
引き出し方向
PULL OUT DIRECTION



SECTION Y-Y



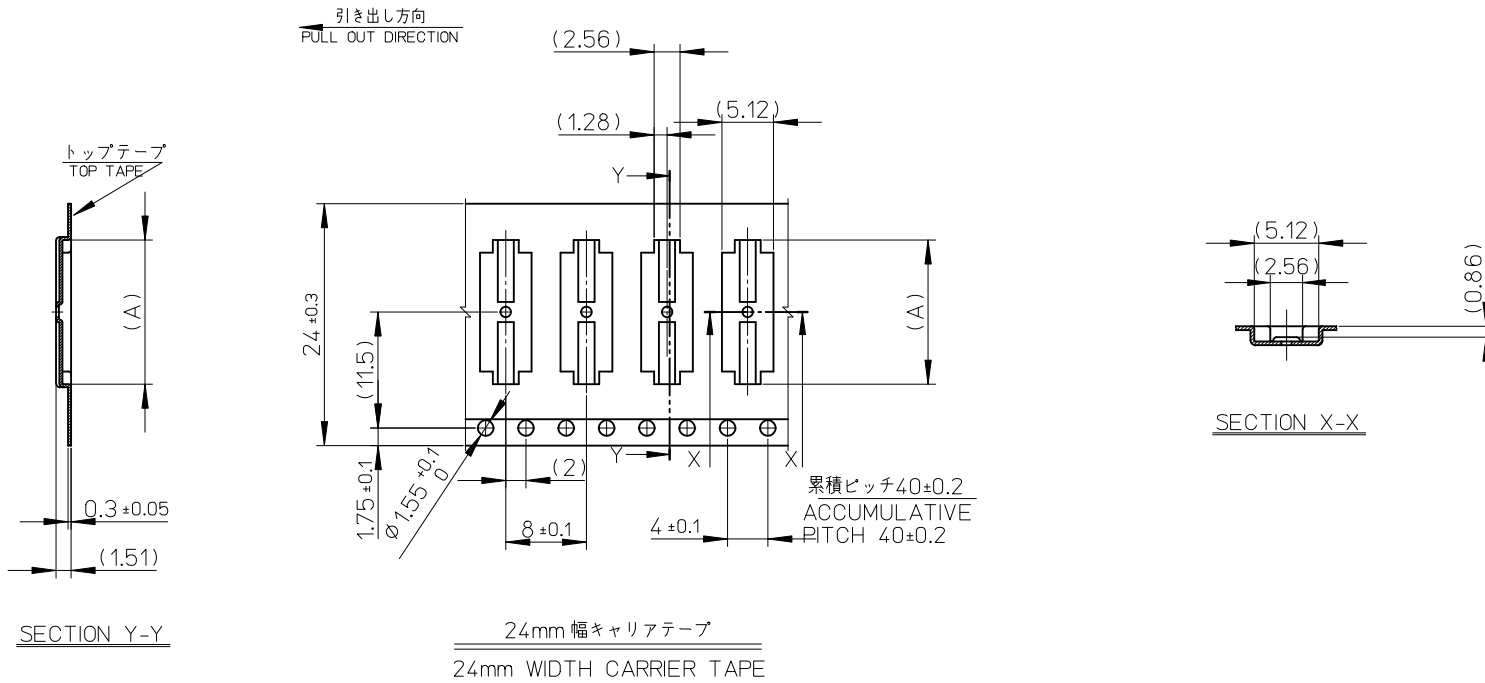
16mm 幅キャリアテープ
16mm WIDTH CARRIER TAPE



SECTION X-X

16	21.4	17.4	7.32	503772-2410	24
			6.52	503772-2010	20
			5.72	503772-1610	16
			4.52	503772-1010	10
キャリアテープ幅 CARRIER TAPE WIDTH			C	B	(A)
			MATERIAL No.		CKT.
			MODEL No.		503772-***0

RELEASED EC NO: J2011-1504 DRWN:KSASAKI 2011/06/09 CHKD:RTAKEUCHI 2011/06/09 APPR:MSASAO 2011/06/13	DESCRIPTION REV: O	GENERAL TOLERANCES (UNLESS SPECIFIED)		DIMENSION STYLE MM ONLY		SCALE 5:1	DESIGN UNITS METRIC	THIRD ANGLE PROJECTION		
		10 UNDER	± 0.2	DRAWN BY KSASAKI	DATE 2011/06/09	TITLE 0.4 BB CONN. HGT=0.8 REC ASSY EMBSTP PKG				
		10 OVER 30 UNDER	± 0.25	CHECKED BY RTAKEUCHI	DATE 2011/06/09	MOLEX INCORPORATED				
		30 OVER	± 0.3	APPROVED BY MSASAO	DATE 2011/06/13	MATERIAL NO. SEE CHART		DOCUMENT NO. SD-503772-002		SHEET NO. 2 OF 3
		ANGULAR ±1 °		THIS DRAWING CONTAINS INFORMATION THAT IS PROPRIETARY TO MOLEX INCORPORATED AND SHOULD NOT BE USED WITHOUT WRITTEN PERMISSION						
DRAFT WHERE APPLICABLE MUST REMAIN WITHIN DIMENSIONS										



24	29.4	25.4	9.32	503772-3410	34
			8.52	503772-3010	30
キャリアテープ幅 CARRIER TAPE WIDTH			C	B	(A)
			MATERIAL No.		CKT.
			MODEL No.		503772-***0

RELEASED EC NO.: J2011-1504 DRWN:KSASAKI 2011/06/09 CHKD:RTAKEUCHI 2011/06/09 APPR:MSASAO 2011/06/13	DESCRIPTION REV: O	GENERAL TOLERANCES (UNLESS SPECIFIED)		DIMENSION STYLE MM ONLY		SCALE 5:1	DESIGN UNITS METRIC	THIRD ANGLE PROJECTION		
		10 UNDER	± 0.2	DRAWN BY KSASAKI	DATE 2011/06/09	TITLE 0.4 BB CONN. HGT=0.8 REC ASSY EMBSTP PKG				
		10 OVER 30 UNDER	± 0.25	CHECKED BY RTAKEUCHI	DATE 2011/06/09	MOLEX INCORPORATED DOCUMENT NO. SD-503772-002 SHEET NO. 3 OF 3				
		30 OVER	± 0.3	APPROVED BY MSASAO	DATE 2011/06/13					
		ANGULAR ± 1 °		DRAFT WHERE APPLICABLE MUST REMAIN WITHIN DIMENSIONS		MATERIAL NO. SEE CHART				