

# Industrial Low Cost String Pot

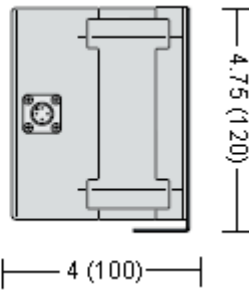
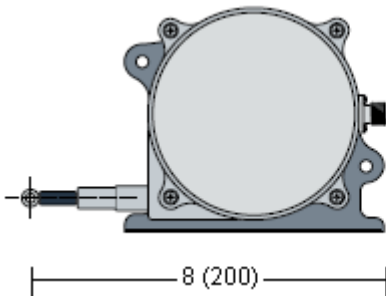


## Precision Potentiometric Output



SR1A is a rugged, low-cost, high performance string pot built for wet environments and outdoor applications. Originally designed for off-road construction equipment, the SR1A is the perfect low-cost solution for OEM and stocking distributors.

Available in 125-inch stroke ranges, the SR1A is constructed of a rugged polycarbonate enclosure designed to withstand impact from harsh environments and rugged conditions. Each sensor ships with a handy mounting bracket to make just about any installation very simple. Every SR1A ships with a field installable mating connector and optional cord set are available.



Dimensions : Inches (Millimetres)

### Specifications

Measurement range	: 0 - 125 inches (0 - 3,175 mm)
Accuracy	: $\pm 0.5\%$ FS
Environmental suitability	: NEMA 6, IP67
Operating temperature	: $-40^{\circ}$ to $185^{\circ}$ F ( $-40^{\circ}$ to $85^{\circ}$ C)
Sensor	: Plastic-hybrid precision potentiometer
Input resistance	: 10 K $\Omega$
Maximum input voltage	: 30 volts ac/dc
Resolution	: Essentially infinite
Repeatability	: $\pm 0.1\%$ FS
Measuring cable	: 0.034 - inch diameter nylon-coated stainless
Maximum velocity	: 80 inches (2 meters) per second
Maximum acceleration	: 10 G (retraction)
Measuring cable tension	: 23 oz (6,4 N) $\pm 30\%$
Cycle life	: 250,000 (potentiometer)
Enclosure	: polycarbonate
Electrical connection	: M12 connector (mating plug included)
Weight	: 2.5 lbs (1.3 Kg)

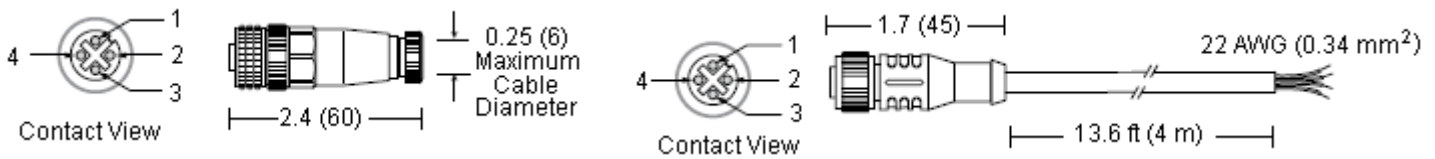
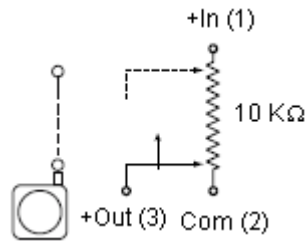
# Industrial Low Cost String Pot



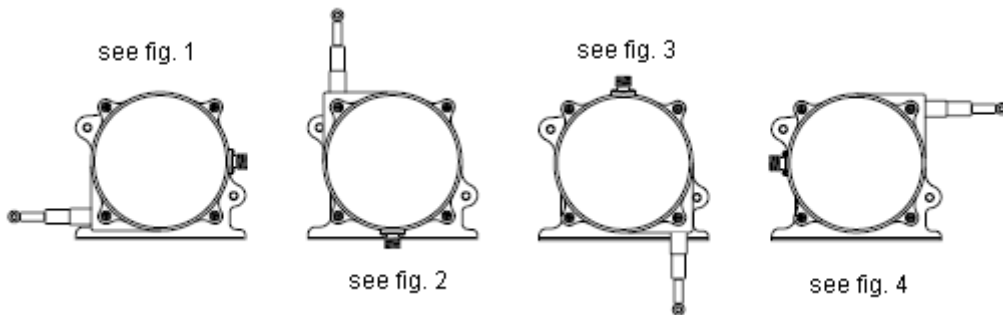
## Precision Potentiometric Output

### Electrical Connection

output signal	connector pin	colour code (cord set)
+in	1	brown
common	2	white
+out	3	blue
n/c	4	black



### Cable Exit Direction Options

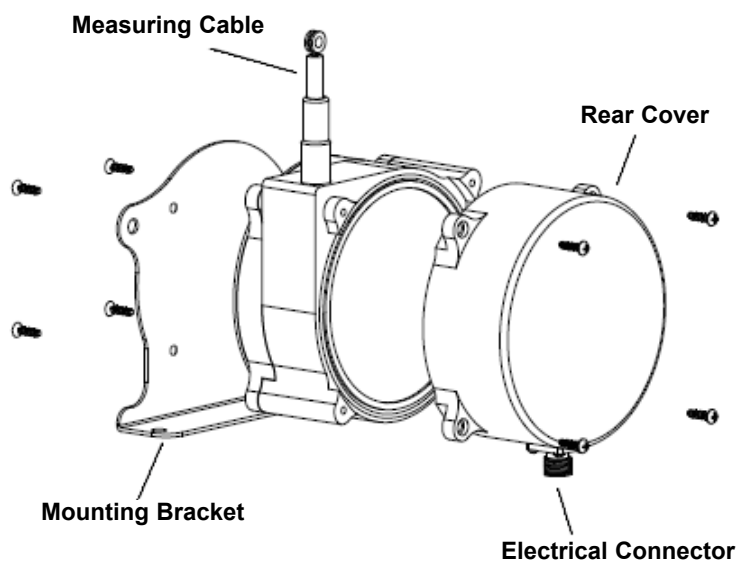


### Changing the Cable Exit

To change measuring cable exit direction, remove the four screws that attach mounting bracket and rotate to desired position

See figs. 1-4 on the following pages for mounting dimensions

Electrical connector can also be rotated around to one of 4 different positions. Simply remove the 4 rear cover screws and rotate the cover

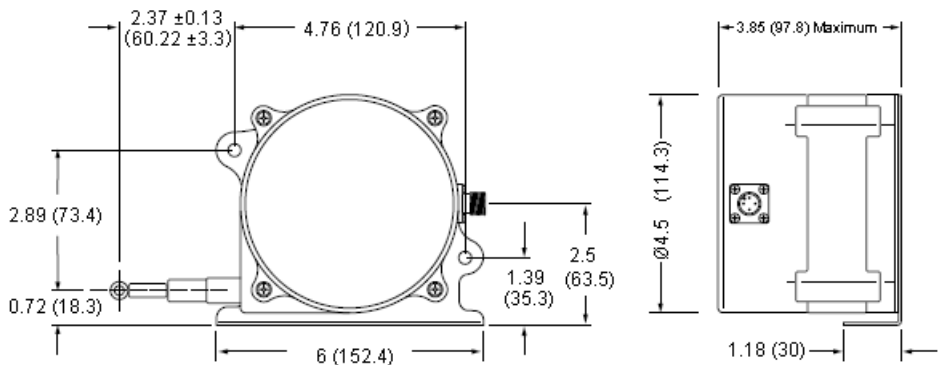
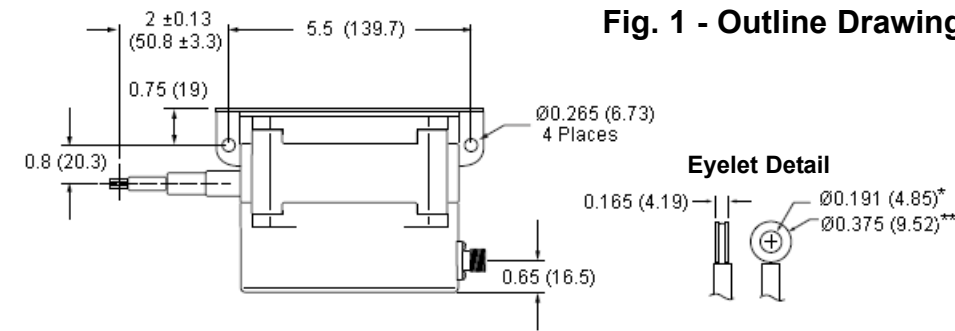


# Industrial Low Cost String Pot

## Precision Potentiometric Output



Fig. 1 - Outline Drawing



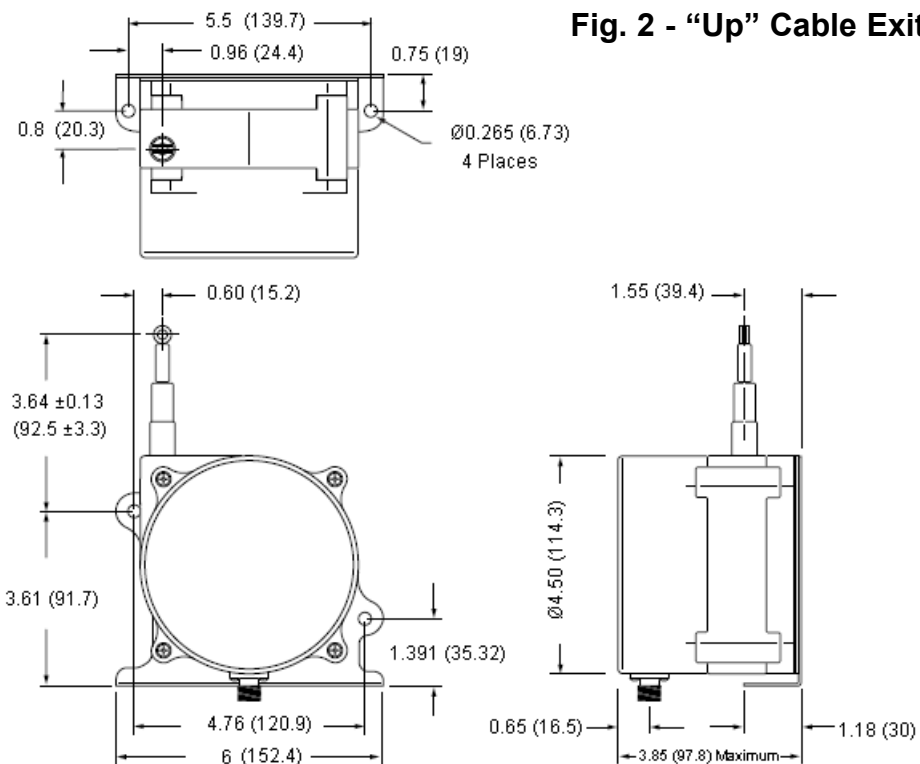
Tolerances :  $\pm 0.04$  (1.0)

\* tolerance =  $+0.005 - 0.001$  ( $+0.13 - 0.03$ )

\*\* tolerance =  $+0.005 - 0.005$  ( $+0.13 - 0.13$ )

Dimensions : Inches (Millimetres)

Fig. 2 - "Up" Cable Exit Direction



Dimensions : Inches (Millimetres)



# Industrial Low Cost String Pot

## Precision Potentiometric Output

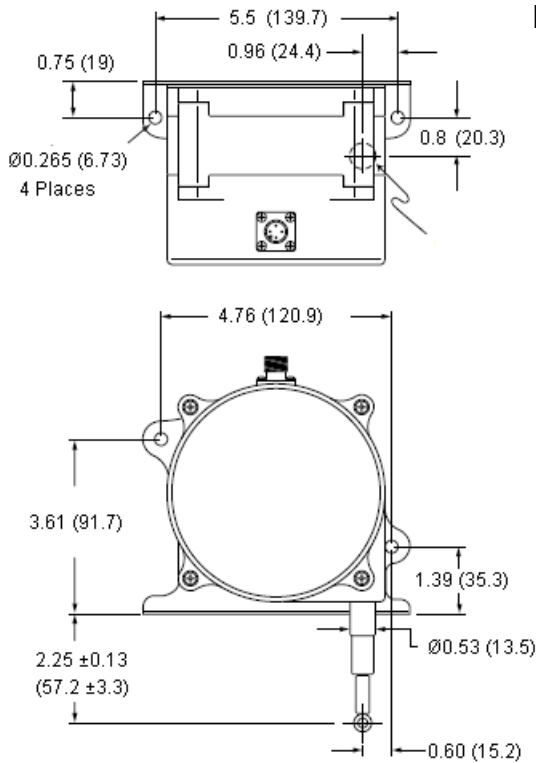


Fig. 3 - "Down" Cable Exit Direction

Dimensions : Inches (Millimetres)

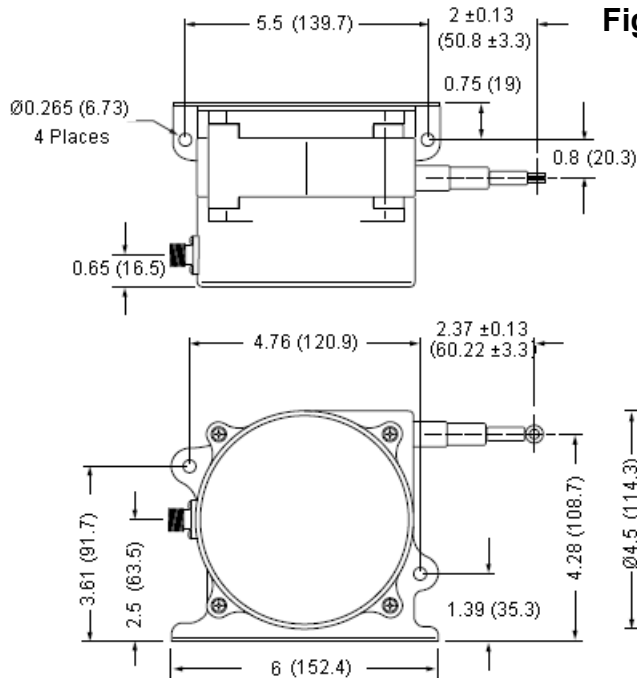


Fig. 4 - "Rear" Cable Exit Direction

Dimensions : Inches (Millimetres)

### Part Number Table

Description	Part Number
Transducer, Cable Extension, 125IN, IP67	SR1A-125

**Important Notice :** This data sheet and its contents (the "Information") belong to the members of the Premier Farnell group of companies (the "Group") or are licensed to it. No licence is granted for the use of it other than for information purposes in connection with the products to which it relates. No licence of any intellectual property rights is granted. The Information is subject to change without notice and replaces all data sheets previously supplied. The Information supplied is believed to be accurate but the Group assumes no responsibility for its accuracy or completeness, any error in or omission from it or for any use made of it. Users of this data sheet should check for themselves the Information and the suitability of the products for their purpose and not make any assumptions based on information included or omitted. Liability for loss or damage resulting from any reliance on the Information or use of it (including liability resulting from negligence or where the Group was aware of the possibility of such loss or damage arising) is excluded. This will not operate to limit or restrict the Group's liability for death or personal injury resulting from its negligence. Multicomp is the registered trademark of the Group. © Premier Farnell plc 2011.