

# PSR-SPP- 24DC/RSM4/4X1

Order No.: 2981541


The figure shows a version with a screw connection



<http://eshop.phoenixcontact.co.uk/phoenix/treeViewClick.do?UID=2981541>

Two-channel speed and downtime monitor, 4 N/O contacts, option of start button monitoring or automatic start for SIL 3 in acc. with IEC 61508, pluggable spring-cage connection terminal blocks, width: 45 mm



Commercial data	
EAN	4  017918 996833
Pack	1
Customs tariff	85364900
Country of Origin	DE
Catalog page information	Page 35 (IF-2011)

### Product notes

WEEE/RoHS-compliant since:  
27/11/2006



Please note that the data given here has been taken from the online catalog. For comprehensive information and data, please refer to the user documentation at <http://www.download.phoenixcontact.com>. The General Terms and Conditions of Use apply to Internet downloads.

## Technical data

Input data	
Nominal input voltage $U_N$	24 V DC
Input voltage range in reference to $U_N$	0.85 ... 1.1
Typical input current at $U_N$	100 mA
Voltage at input/start and feedback circuit	24 V DC

Typical response time	15 ms
Typical release time	12 ms
Recovery time	1 s
Limit frequency	2 kHz (IN1, IN2) 400 kHz (RJ45)

#### Output data

Contact type	4 enabling current paths
Contact material	AgNi10, + 5 µm Au
Maximum switching voltage	250 V AC/DC (when the gold layer is destroyed) 60 V AC/DC (With gold layer existing)
Minimum switching voltage	100 mV AC/DC
Limiting continuous current	5 A 100 mA (alarm outputs)
Maximum inrush current	6 A
Inrush current, minimum	1 mA
Sq. Total current	$42.25 \text{ A}^2 (I_{TH}^2 = I_1^2 + I_2^2 + I_3^2 + I_4^2)$
Interrupting rating (ohmic load) max.	67 W (24 V DC, $\tau = 0 \text{ ms}$ ) 36 W (48 V DC, $\tau = 0 \text{ ms}$ ) 43 MW (110 V DC, $\tau = 0 \text{ ms}$ ) 68 MW (220 V DC, $\tau = 0 \text{ ms}$ )
Switching capacity min.	1 mW
Output fuse	6 A gL

#### General data

Width	45 mm
Height	112 mm
Depth	114.5 mm
Ambient temperature (operation)	-20 °C ... 55 °C
Ambient temperature (storage/transport)	-40 °C ... 70 °C
Relay type	Electromechanically forcibly guided, dust-proof relay.
Mechanical service life	> 50 x 10 <sup>6</sup> cycles
Mounting position	Any
Assembly instructions	In rows with zero spacing
Category according to EN 13849-1	4
Stop category	0

Name	Air and creepage distances between the power circuits
Standards/regulations	EN 60664/VDE 0110
Rated surge voltage / insulation	4 kV / Basic isolation, (safe isolation, reinforced insulation and 6 kV between input circuit and enabling current paths.)
Rated insulation voltage	250 V
Pollution degree	2
Surge voltage category	III

#### Connection data

Conductor cross section solid min.	0.2 mm <sup>2</sup>
Conductor cross section solid max.	1.5 mm <sup>2</sup>
Conductor cross section stranded min.	0.2 mm <sup>2</sup>
Conductor cross section stranded max.	1.5 mm <sup>2</sup>
Conductor cross section AWG/kcmil min.	24
Conductor cross section AWG/kcmil max	16
Stripping length	8 mm
Connection method	Spring-cage conn.

#### Certificates



Certification

CUL Listed, GOST, TUEV-RH, UL Listed

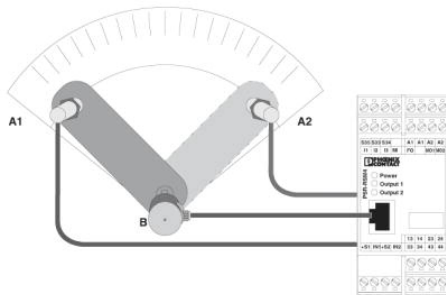
#### Accessories

Item	Designation	Description
<b>General</b>		
2981651	CABLE-15/8/250/RSM/AMK	Cable adapter for PSR-RSM, 15/8-pos., cable length 2.5 m, for controller: AMK
2981648	CABLE-15/8/250/RSM/DKC	Cable adapter for PSR-RSM, 15/8-pos., cable length 2.5 m, for controller: Indramat
2981635	CABLE-15/8/250/RSM/FM-NC	Cable adapter for PSR-RSM, 15/8-pos., cable length 2.5 m, for controller: Siemens
2981619	CABLE-15/8/250/RSM/MHD/G	Cable adapter for PSR-RSM, 15/8-pos., cable length 2.5 m, for controller: Indramat

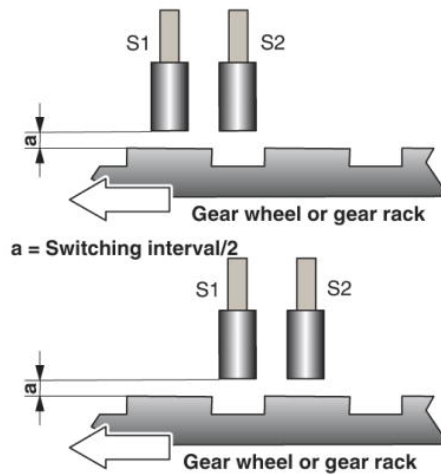
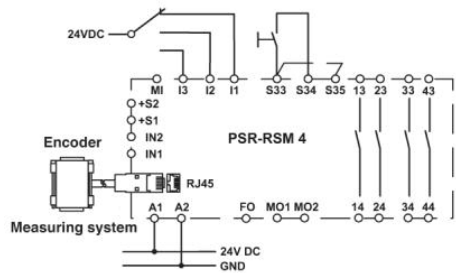
2981606	CABLE-15/8/250/RSM/ SIMO611D	Cable adapter for PSR-RSM, 15/8-pos., cable length 2.5 m, for controller: Siemens, Heidenhain
2981622	CABLE-15/8/250/RSM/SIN800	Cable adapter for PSR-RSM, 15/8-pos., cable length 2.5 m, for controller: Siemens
2981596	CABLE-25/8/250/RSM/ARADDEX	Cable adapter for PSR-RSM, 25/8-pos., cable length 2.5 m, for controller: Aradex
2981583	CABLE-25/8/250/RSM/ SIMO611D	Cable adapter for PSR-RSM, 25/8-pos., cable length 2.5 m, for controller: Siemens, Heidenhain
2981554	PSR-CONF-WIN1.0	Configuration software for PSR-RSM4, with connecting cable

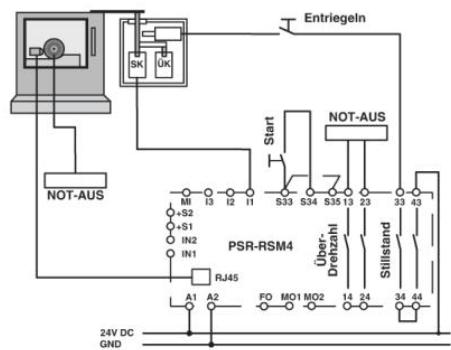
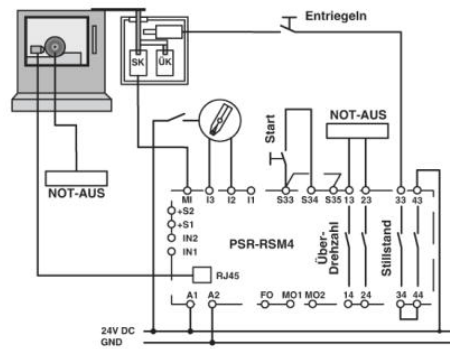
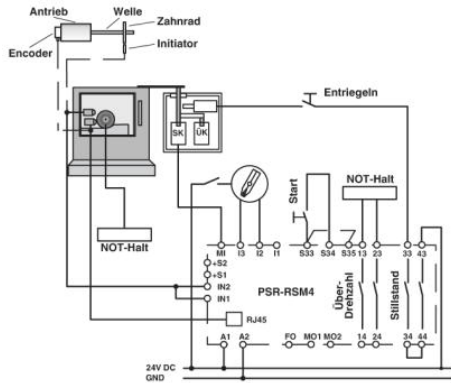
**Drawings**

Application drawing

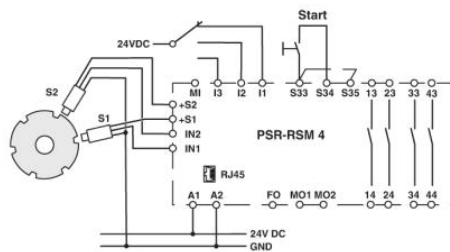
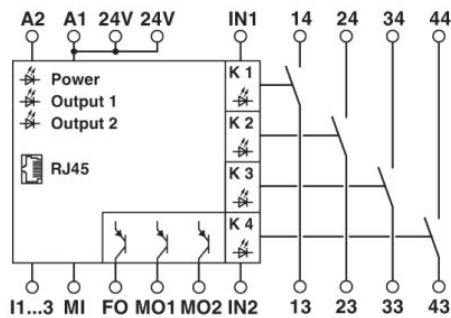


Diagram





Circuit diagram



**Address**

PHOENIX CONTACT Ltd  
Halesfield 13  
Telford / Shropshire / TF7 4PG,England  
Phone 01952 681 700  
Fax 01952 681 799  
<http://www.phoenixcontact.co.uk>



Phoenix Contact Ltd.  
Technical modifications reserved;