

# PSR-SPP- 24DC/URD3/4X1/2X2

Order No.: 2981525


The figure shows a version with a screw connection



<http://eshop.phoenixcontact.co.uk/phoenix/treeViewClick.do?UID=2981525>

Single-channel contact extension with TBUS interface, 4 N/O contacts, 1 N/C contact, 1 confirmation current path, can be set with drop out delay of 0.5 - 30 sec., Cat. 3, PL e according to EN ISO 13849, pluggable spring-cage terminal blocks, width: 22.5 mm



Commercial data	
EAN	4  017918 996819
Pack	1
Customs tariff	85364900
Country of Origin	DE
Catalog page information	Page 24 (IF-2011)

#### Product notes

WEEE/RoHS-compliant since:  
14/07/2006



Please note that the data given here has been taken from the online catalog. For comprehensive information and data, please refer to the user documentation at <http://www.download.phoenixcontact.com>. The General Terms and Conditions of Use apply to Internet downloads.

### Technical data

Input data	
Nominal input voltage $U_N$	24 V DC
Input voltage range in reference to $U_N$	0.85 ... 1.1
Typical input current at $U_N$	84 mA
Typical response time	20 ms

Typical release time range	0.5 s ... 38 s ±20 % (BG rating to max. 30 s)
Recovery time	1 s

**Output data**

Contact type	4 enabling current paths, 1 signaling current path, 1 checkback path, all delayed
Contact material	AgSnO <sub>2</sub>
Maximum switching voltage	250 V AC/DC
Minimum switching voltage	15 V AC/DC
Limiting continuous current	6 A (N/O contact) 3 A (N/C contact)
Maximum inrush current	6 A (N/O contact) 3 A (N/C contact)
Inrush current, minimum	25 mA
Sq. Total current	$50 \text{ A}^2 (I_{TH}^2 = I_1^2 + I_2^2 + I_3^2 + I_4^2)$
Interrupting rating (ohmic load) max.	114 W (24 V DC, $\tau = 0 \text{ ms}$ , N/C contact 65/66: 72 W) 288 W (48 V DC, $\tau = 0 \text{ ms}$ ) 77 W (110 V DC, $\tau = 0 \text{ ms}$ ) 88 W (220 V DC, $\tau = 0 \text{ ms}$ ) 1500 VA (250 V AC, $\tau = 0 \text{ ms}$ , N/C contact 65/66: 750 VA)
Maximum interrupting rating (inductive load)	48 W (24 V DC, $\tau = 40 \text{ ms}$ ) 40 W (48 V DC, $\tau = 40 \text{ ms}$ ) 35 W (110 V DC, $\tau = 40 \text{ ms}$ ) 33 W (220 V DC, $\tau = 40 \text{ ms}$ )
Switching capacity min.	0.4 W
Output fuse	10 A gL/gG NEOZED (N/O contact) 4 A gL/gG NEOZED (N/C contact)

**General data**

Width	22.5 mm
Height	112 mm
Depth	114.5 mm
Ambient temperature (operation)	-20 °C ... 55 °C
Ambient temperature (storage/transport)	-40 °C ... 70 °C
Relay type	Electromechanically forcibly guided, dust-proof relay.
Mechanical service life	Approx. $10^7$ cycles
Mounting position	Any

Category according to EN 13849-1	3
Stop category	1
Name	Air and creepage distances between the power circuits
Standards/regulations	DIN EN 50178/VDE 0160
Rated surge voltage / insulation	4 kV / basic isolation (safe isolation, reinforced insulation and 6 kV between input circuit/N/C contacts and enabling current paths).
Rated insulation voltage	250 V
Pollution degree	2
Surge voltage category	III

#### Connection data

Conductor cross section solid min.	0.2 mm <sup>2</sup>
Conductor cross section solid max.	1.5 mm <sup>2</sup>
Conductor cross section stranded min.	0.2 mm <sup>2</sup>
Conductor cross section stranded max.	1.5 mm <sup>2</sup>
Conductor cross section AWG/kcmil min.	24
Conductor cross section AWG/kcmil max	16
Stripping length	8 mm
Connection method	Spring-cage conn.

#### Certificates



Certification

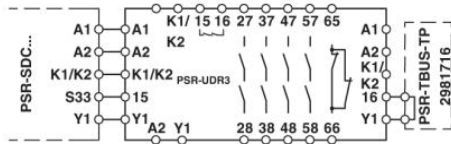
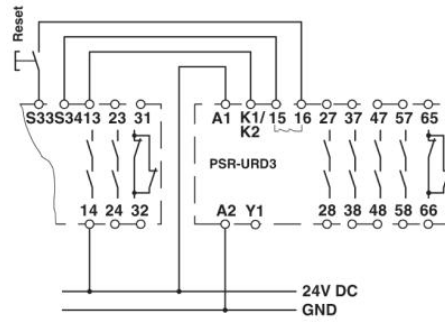
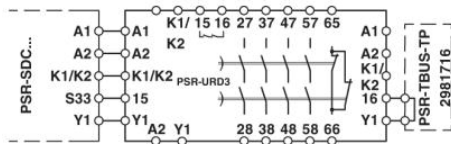
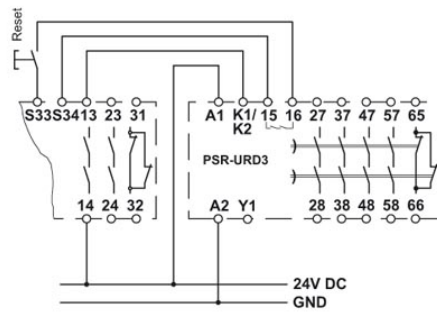
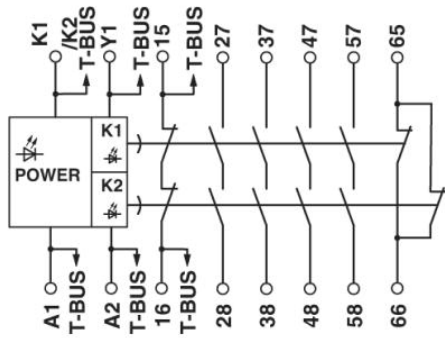
CUL Listed, GOST, TUEV-RH, UL Listed

#### Accessories

Item	Designation	Description
<b>General</b>		
2890425	PSR-TBUS	PSR-TBUS DIN rail connector, for supplying/controlling/monitoring (depending on the module)
2981716	PSR-TBUS-TP	

Drawings

Circuit diagram



**Address**

PHOENIX CONTACT Ltd  
Halesfield 13  
Telford / Shropshire / TF7 4PG,England  
Phone 01952 681 700  
Fax 01952 681 799  
<http://www.phoenixcontact.co.uk>



Phoenix Contact Ltd.  
Technical modifications reserved;