

# PSR-SCP- 24UC/URM4/5X1/2X2/B


Order No.: 2981033



<http://eshop.phoenixcontact.co.uk/phoenix/treeViewClick.do?UID=2981033>

Single or double channel contact extension, 5 N/O contacts, 1 N/C contact, 1 confirmation current path, plug-in connection terminal blocks with screw connection, width: 22.5 mm



Commercial data	
EAN	4  017918 915513
Pack	1
Customs tariff	85364900
Country of Origin	DE
Catalog page information	Page 18 (IF-2011)

#### Product notes

WEEE/RoHS-compliant since:  
08/01/2008



Please note that the data given here has been taken from the online catalog. For comprehensive information and data, please refer to the user documentation at <http://www.download.phoenixcontact.com>. The General Terms and Conditions of Use apply to Internet downloads.

## Technical data

Input data	
Nominal input voltage $U_N$	24 V AC/DC
Input voltage range in reference to $U_N$	0.8 ... 1.1
Typical input current at $U_N$	92 mA
Typical response time	20 ms
Typical release time	20 ms

### Output data

Contact type	5 enabling current paths, 1 signaling current path, 1 checkback current path
Contact material	AgSnO <sub>2</sub> , + 0.2 µm Au
Maximum switching voltage	250 V AC/DC
Minimum switching voltage	15 V AC/DC
Limiting continuous current	6 A (N/O contact) 3 A (N/C contact)
Maximum inrush current	6 A (N/O contact) 3 A (N/C contact)
Inrush current, minimum	25 mA
Sq. Total current	$72 \text{ A}^2 (I_{TH}^2 = I_1^2 + I_2^2 + \dots + I_5^2)$
Interrupting rating (ohmic load) max.	144 W (24 V DC, $\tau = 0 \text{ ms}$ , N/C contact 11/12, 71/72: 72 W) 288 W (48 V DC, $\tau = 0 \text{ ms}$ , N/C contact 11/12, 71/72: 144 W) 110 W (110 V DC, $\tau = 0 \text{ ms}$ ) 88 W (220 V DC, $\tau = 0 \text{ ms}$ ) 1500 VA (250 V AC, $\tau = 0 \text{ ms}$ , N/C contact 11/12, 71/72: 750 VA)
Maximum interrupting rating (inductive load)	42 W (24 V DC, $\tau = 40 \text{ ms}$ ) 42 W (48 V DC, $\tau = 40 \text{ ms}$ ) 42 W (110 V DC, $\tau = 40 \text{ ms}$ ) 42 W (220 V DC, $\tau = 40 \text{ ms}$ )
Switching capacity min.	0.4 W
Output fuse	6 A fast blow C6 (24 V AC/DC) automatic device

### General data

Width	22.5 mm
Height	99 mm
Depth	114.5 mm
Ambient temperature (operation)	-20 °C ... 55 °C
Ambient temperature (storage/transport)	-40 °C ... 70 °C
Relay type	Electromechanically forcibly guided, dust-proof relay.
Mechanical service life	Approx. $10^7$ cycles
Mounting position	Any
Category according to EN 13849-1	4
Stop category	0

Name	Air and creepage distances between the power circuits
Standards/regulations	DIN EN 50178/VDE 0160
Rated surge voltage / insulation	4 kV / basic isolation (safe isolation, increased isolation and 6 kV between A1/A2, 11/12, 23/24, 71/72 and 33/34, 43/44, 53/54, 63/64.)
Rated insulation voltage	250 V
Pollution degree	2
Surge voltage category	III

#### Connection data

Conductor cross section solid min.	0.2 mm <sup>2</sup>
Conductor cross section solid max.	2.5 mm <sup>2</sup>
Conductor cross section stranded min.	0.2 mm <sup>2</sup>
Conductor cross section stranded max.	2.5 mm <sup>2</sup>
Conductor cross section AWG/kcmil min.	24
Conductor cross section AWG/kcmil max	12
Stripping length	7 mm
Screw thread	M3
Connection method	Screw connection

#### Certificates

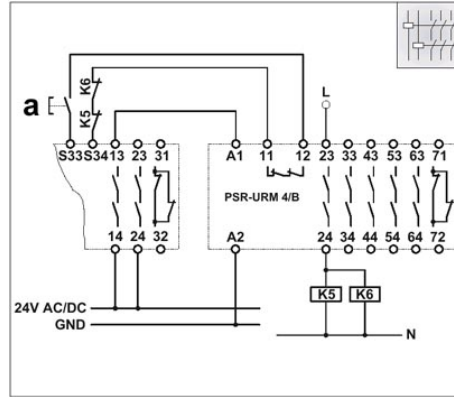
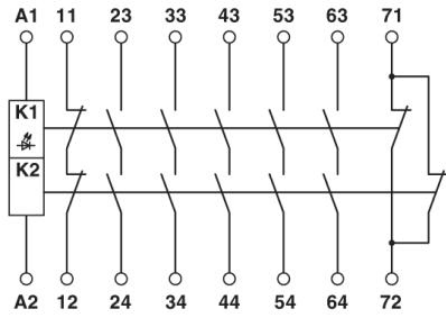


Certification

CUL Listed, GOST, UL Listed

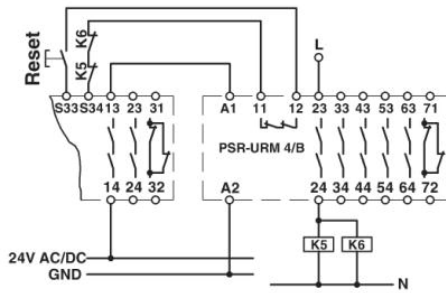
Drawings

Circuit diagram



a = RESET

One-channel connection with checkback path 11/12 integrated in the basic device, suitable up to safety category 2/4. Depends on the basic device. With externally monitored contacts.



**Address**

PHOENIX CONTACT Ltd  
Halesfield 13  
Telford / Shropshire / TF7 4PG,England  
Phone 01952 681 700  
Fax 01952 681 799  
<http://www.phoenixcontact.co.uk>



Phoenix Contact Ltd.  
Technical modifications reserved;