

# PSR-SCP- 24UC/THC4/2X1/1X2


Order No.: 2963721



<http://eshop.phoenixcontact.co.uk/phoenix/treeViewClick.do?UID=2963721>

Safety relay for two-hand trip guards to EN 574 type IIIC, simultaneity monitoring < 0.5 s, 2 N/O contacts, 1 N/C contact, safe isolation, pluggable connecting terminal blocks, width: 22.5 mm



Commercial data	
EAN	
Pack	1
Customs tariff	85364900
Country of Origin	DE
Catalog page information	Page 17 (IF-2011)

### Product notes

WEEE/RoHS-compliant since:  
21/08/2006



Please note that the data given here has been taken from the online catalog. For comprehensive information and data, please refer to the user documentation at <http://www.download.phoenixcontact.com>. The General Terms and Conditions of Use apply to Internet downloads.

## Technical data

Input data	
Nominal input voltage $U_N$	24 V AC/DC
Input voltage range in reference to $U_N$	0.85 ... 1.1
Typical input current at $U_N$	125 mA AC
	60 mA DC

Voltage at input/start and feedback circuit	Approx. 24 V DC
Typical response time	50 ms
Typical release time	20 ms
Concurrence input 1/2	< 0.5 s
Recovery time	1 s

#### Output data

Contact type	2 enabling current paths, 1 signaling current path
Contact material	AgSnO <sub>2</sub> , + 0.2 µm Au
Maximum switching voltage	250 V AC/DC
Minimum switching voltage	15 V AC/DC
Limiting continuous current	6 A
Maximum inrush current	6 A
Inrush current, minimum	25 mA
Interrupting rating (ohmic load) max.	144 W (24 V DC, τ = 0 ms) 288 W (48 V DC, τ = 0 ms) 110 W (110 V DC, τ = 0 ms) 88 W (220 V DC, τ = 0 ms) 1500 VA (250 V AC, τ = 0 ms)
Maximum interrupting rating (inductive load)	42 W (24 V DC, τ = 40 ms) 42 W (48 V DC, τ = 40 ms) 42 W (110 V DC, τ = 40 ms) 42 W (220 V DC, τ = 40 ms)
Switching capacity min.	0.4 W
Output fuse	10 A gL/gG NEOZED (N/O contact) 6 A gL/gG NEOZED (N/C contact)

#### General data

Width	22.5 mm
Height	99 mm
Depth	114.5 mm
Ambient temperature (operation)	-20 °C ... 55 °C
Ambient temperature (storage/transport)	-40 °C ... 70 °C
Relay type	Electromechanically forcibly guided, dust-proof relay.
Mechanical service life	Approx. 10 <sup>7</sup> cycles
Mounting position	Any

Category according to EN 13849-1	4
Stop category	0
Name	Air and creepage distances between the power circuits
Standards/regulations	DIN EN 50178/VDE 0160
Rated surge voltage / insulation	6 kV / Safe isolation, increased insulation
Rated insulation voltage	250 V
Pollution degree	2
Surge voltage category	III

#### Connection data

Conductor cross section solid min.	0.2 mm <sup>2</sup>
Conductor cross section solid max.	2.5 mm <sup>2</sup>
Conductor cross section stranded min.	0.2 mm <sup>2</sup>
Conductor cross section stranded max.	2.5 mm <sup>2</sup>
Conductor cross section AWG/kcmil min.	24
Conductor cross section AWG/kcmil max	12
Stripping length	7 mm
Screw thread	M3
Connection method	Screw connection

#### Certificates

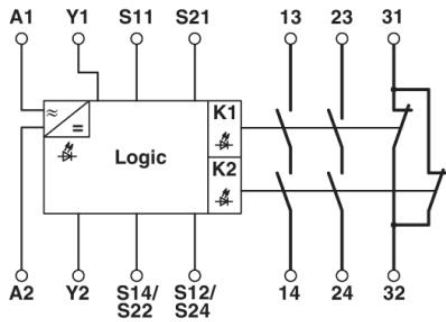


Certification

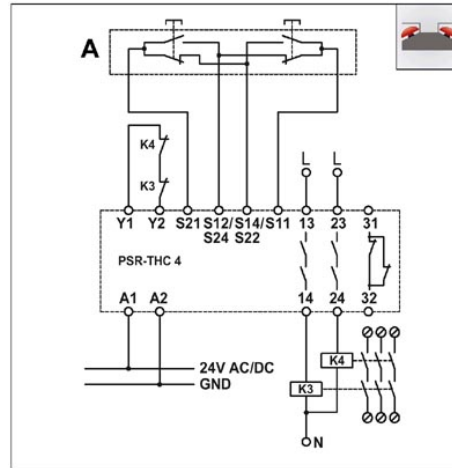
CUL Listed, GOST, TUEV-RH, UL Listed

**Drawings**

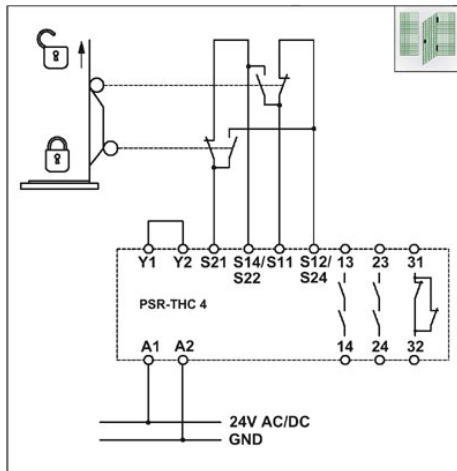
Circuit diagram



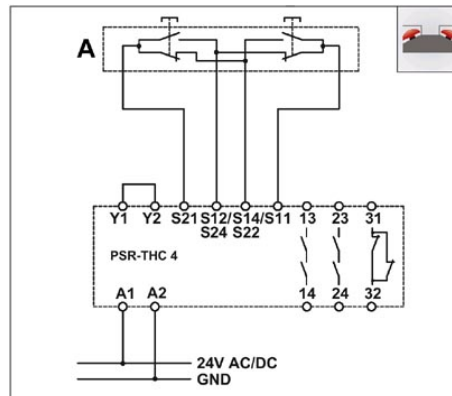
1 = logics



Monitoring of controlling, disabling protective devices in acc. with EN 1088 with equality monitoring < 0.5 s, suitable up to safety category 4.

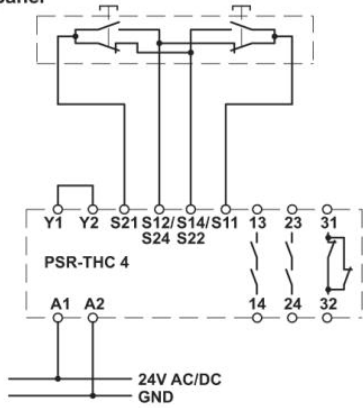


A = two-hand control panel  
 Two-hand control systems with equality monitoring < 0.5 s and monitored contact expansion, corresponds to EN 574 type IIC, suitable up to safety category 4.

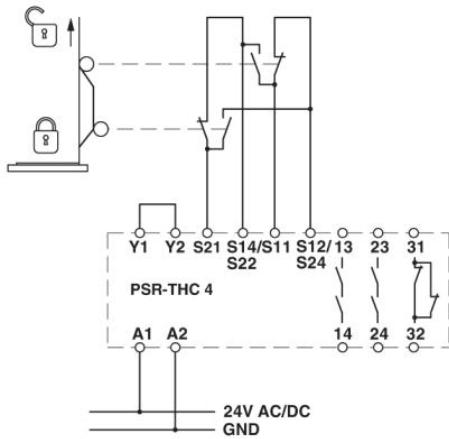
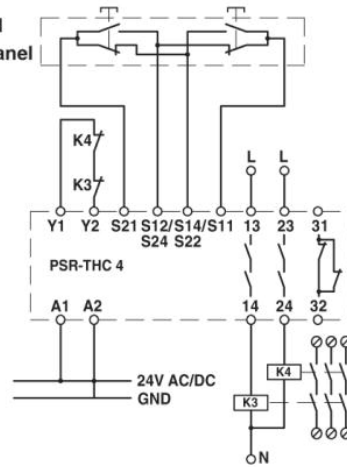


A = two-hand control panel  
 Two-hand control systems with equality monitoring < 0.5 s, Corresponds to EN 574 type IIC, suitable up to safety category 4.

Two-hand control panel



Two-hand control panel



**Address**

PHOENIX CONTACT Ltd  
Halesfield 13  
Telford / Shropshire / TF7 4PG,England  
Phone 01952 681 700  
Fax 01952 681 799  
<http://www.phoenixcontact.co.uk>



Phoenix Contact Ltd.  
Technical modifications reserved;