

# 1. Product Overview.

The Interchangeable line lens consists of a moulded acrylic multi rod lens element fitted with in an 11mm diameter lens holder with an M9 thread section for mounting. The lens produces a line with typical full fan angle of 33 degree with a 5mm by 1.5mm input beam. The intensity distribution is gaussian in the width and homogeneous in the line. The homogeneous line produces a high uniformity line at shorter working distances, however due to the effects of divergence the uniformity levels will decrease over longer working distance. An M9 threaded section allows the lens assembly to simply screw into any laser module with a M9 thread for lens assembly and a suitable focal length collimator.

The lens assembly will fit into both VM range and Gated Cameo "A" Lens model listed below and turn the output beam into the listed pattern.

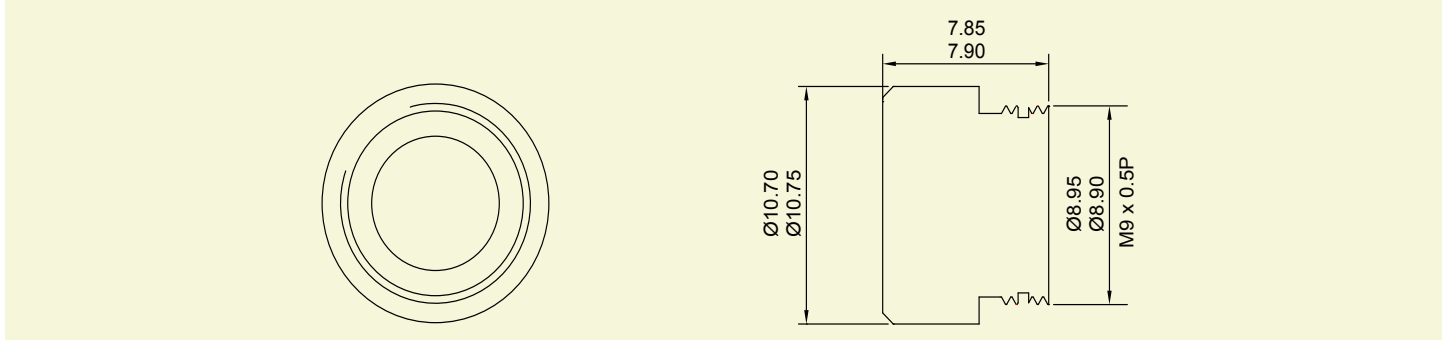
Imatronic Part Number	Description
5002-45-000	Versatile Module 635nm 1mW TTL
5002-46-000	Versatile Module 635nm 3mW TTL
5002-47-000	Versatile Module 650nm 1mW TTL
5002-48-000	Versatile Module 650nm 3mW TTL
1266-01-000	Gated Cameo 635nm 0.8mW A Lens
1266-02-000	Gated Cameo 635nm 3mW A Lens
1266-03-000	Gated Cameo 650nm 0.8mW A Lens
1266-04-000	Gated Cameo 650nm 3mW A Lens

# 2. Specification.

Lens Material	Acrylic
Lens Type	Moulded Multi Rod
Exit Aperture	5mm
A/R Coated	No
Typical Input Beam Size	5 by 1.5mm
Typical Fan Angle	33°
Typical Transmission Loss (650nm)	≤25%

# 3. Diagram.

Interchangeable Line Lens (33° Fan Angle)



Please note: Imatronic reserve the right to change descriptions and specifications without notice.



ISO9001 Certified



Please Note: Global Laser reserve the right to change descriptions and specifications without notice.

T: +44 (0)1495 212213  
F: +44 (0)1495 214004  
E: [sales@globallasertech.com](mailto:sales@globallasertech.com)  
[www.globallasertech.com](http://www.globallasertech.com)

Global Laser Ltd, Cwmtillery Industrial Estate  
Abertillery, Gwent NP13 1LZ UK