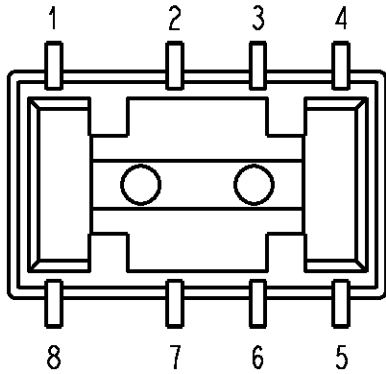
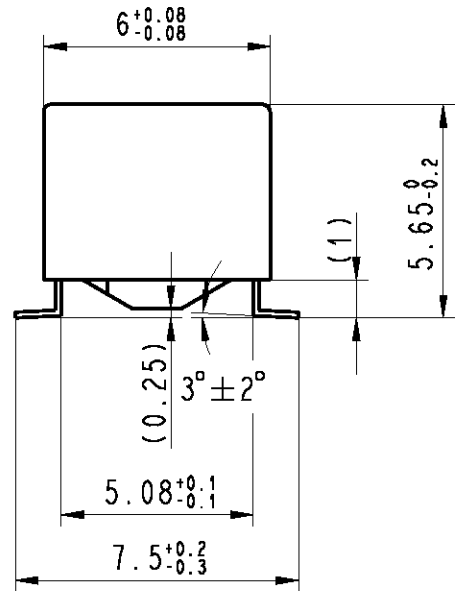
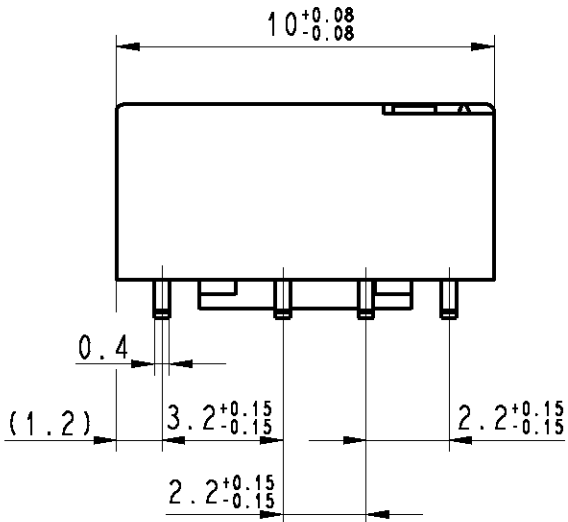


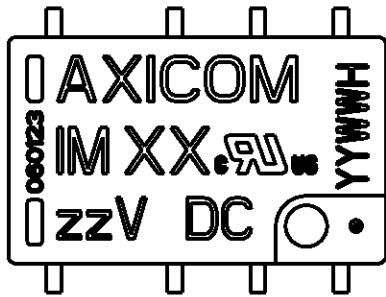
LOC		DIST		REVISIONS			
P	LTR	DESCRIPTION	DATE	DWN	APVD		
HJ	-	A8	REVISED PER ECO-11-005150	25MAR11	RK	HMR	



Relay - bottom view



Coplanarity < 0.10mm



XX = Relay type
 ZZ = nominal voltage
 YYWW = Date code

DRAWING ALIAS	E2000-DOK02
---------------	-------------

THIS DRAWING IS UNPUBLISHED.

ALL RIGHTS RESERVED.

COPYRIGHT BY -

DIMENSIONS: mm	DWN	UKo 9193	20Jan1999	MATERIAL	-	FINISH	-
	CHK	HD 9121	20Jan1999				
TOLERANCES UNLESS OTHERWISE SPECIFIED: DIN 7168-m	APVD	HD 9121	20Jan1999				
0 PLC ±-	PRODUCT SPEC	NAME					
1 PLC ±-	-	IM-Relay SMT Gull Wings Dimensions					
2 PLC ±-	APPLICATION SPEC	SIZE	CAGE CODE	DRAWING NO	RESTRICTED TO		
3 PLC ±-	-	A4	00779	C-1462037-2	-		
4 PLC ±-	WEIGHT	CUSTOMER DRAWING					
ANGLES ±-	-	SCALE	5:1	SHEET	1	OF	1
	-	REV A8					