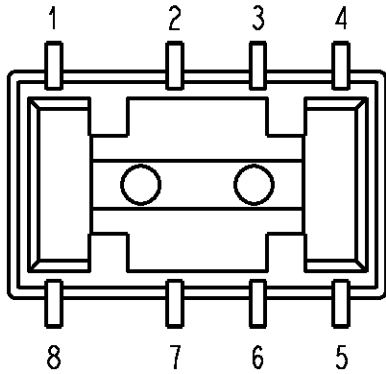
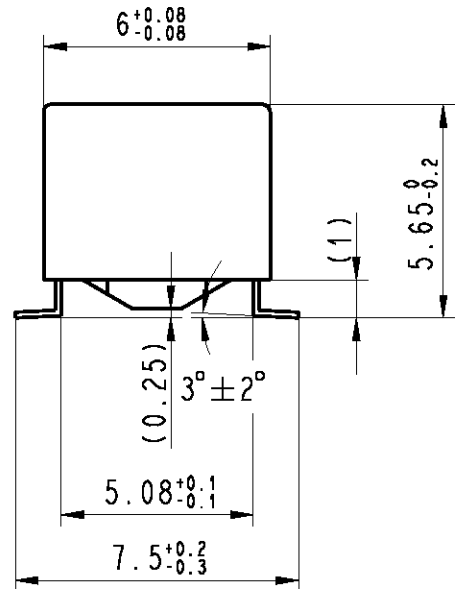
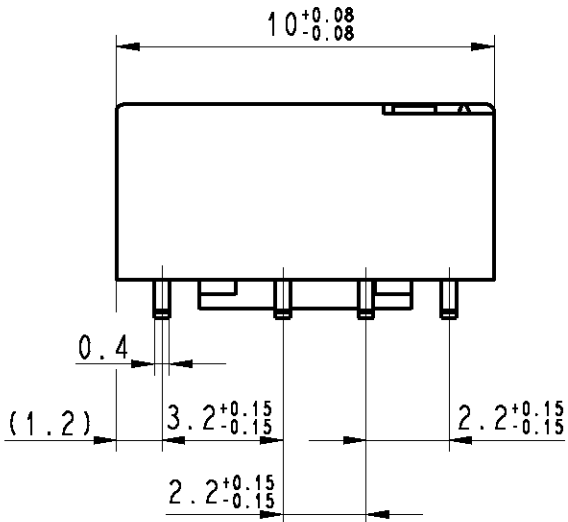


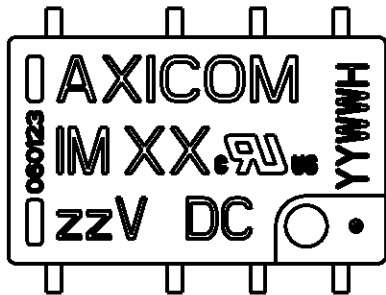
LOC		DIST		REVISIONS			
P	LTR	DESCRIPTION	DATE	DWN	APVD		
HJ	-	A8	REVISED PER ECO-11-005150	25MAR11	RK	HMR	



Relay - bottom view



Coplanarity < 0.10mm



XX = Relay type
 zz = nominal voltage
 YYWW = Date code

DRAWING ALIAS	E2000-DOK02
---------------	-------------

THIS DRAWING IS UNPUBLISHED. ALL RIGHTS RESERVED.

COPYRIGHT BY -

DIMENSIONS: mm	DWN UKo 9193 20Jan1999	MATERIAL	FINISH
	CHK HD 9121 20Jan1999	-	
TOLERANCES UNLESS OTHERWISE SPECIFIED: DIN 7168-m	APVD HD 9121 20Jan1999		
	PRODUCT SPEC		
0 PLC ±-	APPLICATION SPEC	NAME IM-Relay SMT Gull Wings Dimensions	
1 PLC ±-		SIZE A4	RESTRICTED TO
2 PLC ±-		CAGE CODE 00779	
3 PLC ±-		DRAWING NO C-1462037-2	
4 PLC ±-			
ANGLES ±-			
WEIGHT			
CUSTOMER DRAWING		SCALE 5:1	SHEET 1 OF 1 REV A8