



Address: Midas Components Ltd, Electra House, 32 Southtown Road, Great Yarmouth, Norfolk, England, NR31 ODU
Email: sales@midascomponents.co.uk
Website: www.midascomponents.co.uk
Tel: +44(0)1493 602602
Fax: +44(0)1493 665111

Specification

MC128064C6W-FPTLW

A large, faded version of the MIDAS logo is centered on the page. It consists of the word "MIDAS" in a yellow, sans-serif font, set within a light blue, oval-shaped background with a wavy, textured pattern.

BOOKBINDING AREA

DOC.

DATASHEET STATEMENT

1. The following icons are absolutely designed by Midas independently in 2007-SEP. They are not in common use in the LCD industry yet but just used for marking out Midas products' characteristics quickly and simply without any special meaning. Midas reserves the composing right and copyright. No one else is allowed to adopt these icons without Midas approval.
2. The ISO9001 logo used in this document is authorized by SGS (www.sgs.com). Midas had already successfully passed the strict and professional ISO9001:2000 Quality Management System Certification and got the certificate (No.: CN07/00404)
3. The technologies/techniques/crafts which denoted by the following icons are not exclusively owned by Midas, but also shared by Midas LCD strategic cooperators, however all these technologies/techniques/crafts have been finally confirmed by Midas professional engineers and QC department.
4. As the difference in test standard and test conditions, also Midas insufficient familiarity with the actual LCD using environment, all the referred information in this DATASHEET (including the icons) only have two functions:
4.1: providing quick reference when you are judging whether or not the product meets your requirements.
4.2: listing out definitely the tolerance.

SAMPLE APPROVAL document rather than consider this DATASHEET as the standard for judging whether or not the LCD meets your requirements. Once you instruct Midas to a mass-production without definite demand for providing sample before, Midas will disclaim all responsibility if the mass-production is proved not meeting with your requirements.

5. The sequence of the icons is random and doesn't indicate the importance grade.
6. Icons explanation

Midas 2006 version logo. Midas is an integrated manufacturer of flat panel display (FPD). Midas supplies TN, HTN, STN, FSTN monochrome LCD panel; COB, COG, TAB LCD module; and all kinds of LED backlight.



FAST RESPONSE TIME

This icon on the cover indicates the product is with high response speed; Otherwise not.



PROTECTION CIRCUIT

This icon on the cover indicates the product is with protection circuit; Otherwise not.



HIGH CONTRAST

This icon on the cover indicates the product is with high contrast; Otherwise not.



LONG LIFE VERSION

This icon on the cover indicates the product is long life version (over 9K hours guaranteed); Otherwise not.



WIDE VIEWING SCOPE

This icon on the cover indicates the product is with wide viewing scope; Otherwise not.



Anti UV VERSION

This icon on the cover indicates the product is against UV line. Otherwise not.



RoHS COMPLIANCE

This icon on the cover indicates the product meets ROHS requirements; Otherwise not.



OPERATION TEMPERATURE RANGE

This icon on the cover indicates the operating temperature range (X-Y).



3TIMES 100% QC EXAMINATION

This icon on the cover indicates the product has passed Midas thrice 100% QC. Otherwise not.



TWICE SELECTION OF LED MATERIALS

This icon on the cover indicates the LED had passed Midas twice strict selection which promises the product's identical color and brightness; Otherwise not.



V_{ICM} = 3.0V

This icon on the cover indicates the product can work at 3.0V exactly; otherwise not.



N SERIES TECHNOLOGY (2008 developed)

New structure, new craft, new technology and new materials inside both LCD module and LCD panel to improve the "RainBow"

Midas LCD Part Number System

MC COG 132033 A * 6 W * * - S N T L W * *
1 2 3 4 5 6 7 8 9 - 10 11 12 13 14 15 16

- 1 = **MC:** Midas Components
- 2 = **Blank:** COB (chip on board) **COG:** chip on glass
- 3 = **No of dots** (e.g. 240064 = 240 x 64 dots) (e.g. 21605 = 2 x 16 5mm C.H.)
- 4 = **Series**
- 5 = **Series Variant:** A to Z
- 6 = **3:** 3 o'clock **6:** 6 o'clock **9:** 9 o'clock **12:** 12 o'clock
- 7 = **S:** Normal (0 to + 50 deg C) **W:** Wide temp. (-20 to + 70 deg C) **X:** Extended temp (-30 + 80 Deg C)
- 8 = **Character Set**

Blank: Standard (English/Japanese)
C: Chinese Simplified (Graphic Displays only)
CB: Chinese Big 5 (Graphic Displays only)
H: Hebrew
K: European (std) (English/German/French/Greek)
L: English/Japanese (special)
M: European (English/Scandinavian)
R: Cyrillic
W: European (English/Greek)
U: European (English/Scandinavian/Icelandic)

9 = **Bezel Height** (where applicable / available)

| | Top of Bezel to Top of PCB | Common (via pins 1 and 2) | Array or Edge Lit |
|--------------|----------------------------|---------------------------|-------------------|
| Blank | 9.5mm / not applicable | Common | Array |
| 2 | 8.9 mm | Common | Array |
| 3 | 7.8 mm | Separate | Array |
| 4 | 7.8 mm | Common | Array |
| 5 | 9.5 mm | Separate | Array |
| 6 | 7 mm | Common | Array |
| 7 | 7 mm | Separate | Array |
| 8 | 6.4 mm | Common | Edge |
| 9 | 6.4 mm | Separate | Edge |
| A | 5.5 mm | Common | Edge |
| B | 5.5 mm | Separate | Edge |

- 10 = **T:** TN **S:** STN **B:** STN Blue **G:** STN Grey **F:** FSTN **F2:** FFSTN
- 11 = **P:** Positive **N:** Negative
- 12 = **R:** Reflective **M:** Transmissive **T:** Transflective
- 13 = **Backlight:** **Blank:** Reflective **L:** LED
- 14 = **Backlight Colour:** **Y:** Yellow-Green **W:** White **B:** Blue **R:** Red **A:** Amber **O:** Orange **G:** Green **RGB:** R.G.B.
- 15 = **Driver Chip:** **Blank:** Standard **I:** I²C
- 16 = **Voltage Variant:** e.g. **3** = 3v

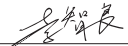
BOOKBINDING AREA

STANDARD
DOC.

REVISION RECORD

PAGE

1/16

| NO. | DATE | DESCRIPTION | ITEM | PAGE | APPROVED |
|-----|---------|----------------|------|------|---|
| 1 | 2011.02 | INITIAL ISSUED | ALL | ALL |  |

MIDAS

BOOKBINDING AREA

| | STANDARD DOC. | CONTENTS | PAGE | 2/16 |
|--|------------------|----------|------|------|
|--|------------------|----------|------|------|

| | | |
|-----|-----------------------------------|---------|
| 1. | GENERAL SPECIFICATIONS ----- | Page 3 |
| 2. | MECHANICAL SPECIFICATIONS ----- | Page 3 |
| 3. | ABSOLUTE MAXIMUM RATINGS ----- | Page 3 |
| 4. | ELECTRONICAL CHARACTERISTIC ----- | Page 3 |
| 5. | OPTICAL CHARACTERISTICS ----- | Page 4 |
| 6. | DC CHARACTERISTICS ----- | Page 5 |
| 7. | AC CHARACTERISTICS ----- | Page 5 |
| 8. | EXTERNAL DIMENSION----- | Page 7 |
| 9. | PIN ASSIGNMENT ----- | Page 8 |
| 10. | BLOCK DIAGRAM----- | Page 8 |
| 11. | POWER SUPPLY ----- | Page 8 |
| 12. | FUNCTIONAL DESCRIPTION ----- | Page 9 |
| 13. | INSTRUCTION ----- | Page 12 |
| 14. | DESCRIPTION OF COMMAND ----- | Page 13 |
| 15. | APPLICATION EXAMPLE ----- | Page 15 |
| 16. | PACKING DETAIL ----- | Page 16 |

BOOKBINDING AREA

| | | | | |
|--|----------------------|-------------------|-------------|-------------|
| | PRODUCT SPEC. | MODE NO. | PAGE | 3/16 |
| | | MC128064C6W-FPTLW | | |

1. GENERAL SPECIFICATIONS

| ITEM | NOMINAL DIMENSIONS / AVAILABLE OPTIONS |
|---------------------------|--|
| DISPLAY FORMAT | 128 X 64 DOT MATRIX |
| LCD PANEL OPTIONS | FSTN (Silver-gray color) |
| POLARIZER OPTIONS | Positive, Transflective |
| BACKLIGHT OPTIONS | Edge type LED backlight (White color) |
| VIEWING DIRECTION OPTIONS | 6:00 (Bottom) |
| TEMPERATURE RANGE OPTIONS | Wide temp. range (-20°C ~ 70°C) |
| CONTROLLER IC | NT7107C+NT7108C |
| NEGATIVE IC | Built in |
| DISPLAY DUTY | 1/64 |
| DRIVING BIAS | 1/9 |

2. MECHANICAL SPECIFICATIONS

| | | | | | |
|------------------------|--|----|-------------------------|---------------|----|
| OVERALL SIZE | LED backlight version : 75.0 x 52.7 x max 13.0 | | | mm | |
| VIEWING AREA | 60.0W x 32.5H | mm | HOLE-HOLE | 70.0W x 49.7H | mm |
| DOT SIZE | 0.39W x 0.39H | mm | DOT PITCH | 0.04W x 0.04H | mm |
| WEIGHT (EL BKL) | --- | g | WEIGHT (LED BKL) | 65.0 | g |

3. ABSOLUTE MAXIMUM RATINGS

| ITEM | SYMBOL | CONDITION | MIN | MAX | UNIT |
|-----------------------|--------|-----------|-----------|----------|------|
| POWER SUPPLY (LOGIC) | Vdd | 25°C | -0.3 | 7.0 | V |
| POWER SUPPLY (LCD) | V0 | 25°C | Vdd -19.0 | Vdd +0.3 | V |
| INPUT VOLTAGE | Vin | 25°C | -0.3 | Vdd +0.3 | V |
| OPERATING TEMPERATURE | Vopr | --- | -20 | 70 | °C |
| STORAGE TEMPERATURE | Vstg | --- | -30 | 80 | °C |

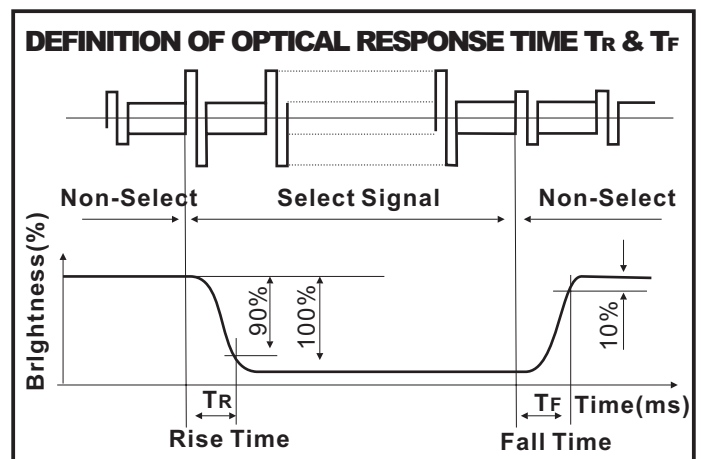
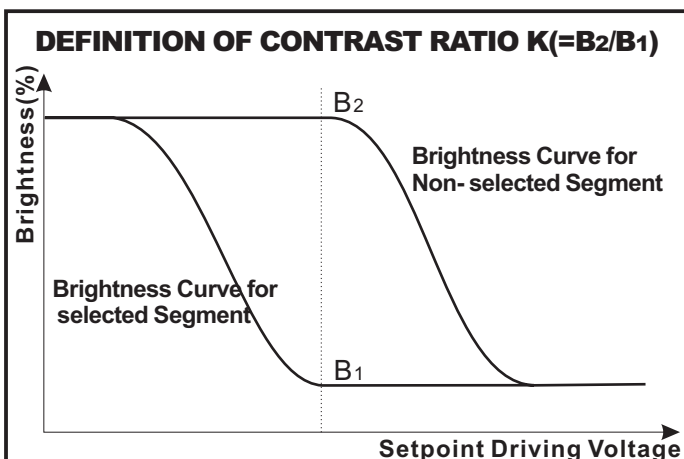
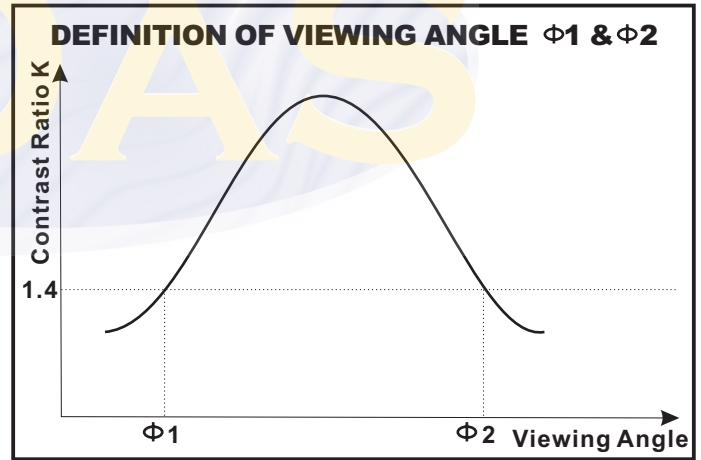
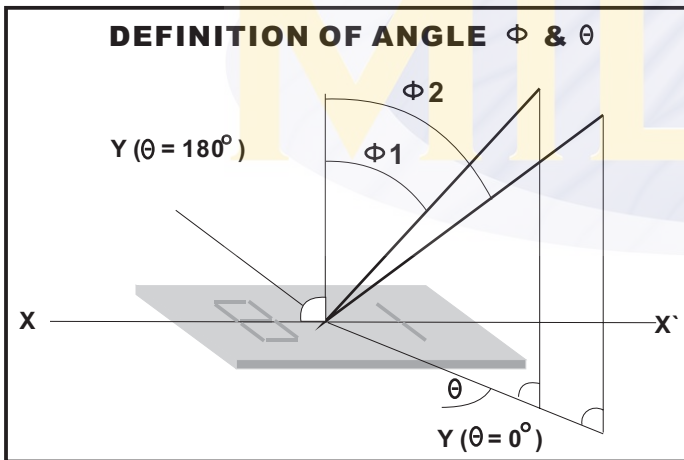
4. ELECTRONICAL CHARACTERISTIC*

| ITEM | SYMBOL | CONDITION | STANDARD | | | UNIT |
|---|--------------|----------------|----------|------|------|-------------------|
| | | | MIN | TYP | MAX | |
| Input voltage | Vdd | +5V | 2.7 | 5.0 | 5.5 | V |
| Supply current | Idd | Vdd=5V | --- | 2.1 | --- | mA |
| Recommended LCD driving voltage for normal temp. Version module | Vdd - V0 | -20°C | 8.20 | --- | 9.00 | V |
| | | 0°C | 8.10 | --- | 8.70 | |
| | | 25°C | 8.00 | 8.30 | 8.60 | |
| | | 50°C | 7.80 | --- | 8.50 | |
| | | 70°C | 7.65 | --- | 8.30 | |
| LED forward voltage | Vf | 25°C | 2.9 | --- | 3.4 | V |
| LED forward current | If | 25°C | --- | 30 | 40 | mA |
| LED reverse Current | Ir | 25°C | --- | 10 | --- | µA |
| LED color range | X coordinate | 25°C If = 30mA | 0.25 | --- | 0.28 | --- |
| | Y coordinate | 25°C If = 30mA | 0.26 | --- | 0.29 | --- |
| LED illuminance (Without LCD) | Lv | 25°C If = 30mA | 120 | --- | 190 | cd/m ² |
| LED life time | --- | 25°C If = 30mA | 9K** | --- | --- | Hours |

5. OPTICAL CHARACTERISTIC

| FOR TN TYPE LCD MODULE ($T_A=25\text{ }^\circ\text{C}$, $V_{dd}=5.0V \pm 0.25V$) | | | | | | |
|---|-----------------|-----------|-----|-----|-----|------|
| ITEM | SYMBOL | CONDITION | MIN | TYP | MAX | UNIT |
| VIEWING ANGLE | $\Phi 2-\Phi 1$ | K=4 | 30 | --- | --- | deg |
| | θ | | 25 | | | |
| CONTRAST RATIO | K | --- | --- | 2 | --- | --- |
| RESPONSE TIME(RISE) | T_R | --- | --- | 120 | 150 | ms |
| RESPONSE TIME(FALL) | T_F | --- | --- | 120 | 150 | ms |

| FOR STN TYPE LCD MODULE ($T_A=25\text{ }^\circ\text{C}$, $V_{dd}=5.0V \pm 0.25V$) | | | | | | |
|--|-----------------|-----------|-----|-----|-----|------|
| ITEM | SYMBOL | CONDITION | MIN | TYP | MAX | UNIT |
| VIEWING ANGLE | $\Phi 2-\Phi 1$ | K=4 | 40 | --- | --- | deg |
| | θ | | 60 | | | |
| CONTRAST RATIO | K | --- | --- | 6 | --- | --- |
| RESPONSE TIME(RISE) | T_R | --- | --- | 150 | 250 | ms |
| RESPONSE TIME(FALL) | T_F | --- | --- | 150 | 250 | ms |



| | | | | |
|--|------------------|-------------------|------|------|
| | PRODUCT SPEC. | MODE NO. | PAGE | 5/16 |
| | | MC128064C6W-FPTLW | | |

6. DC CHARACTERISTIC

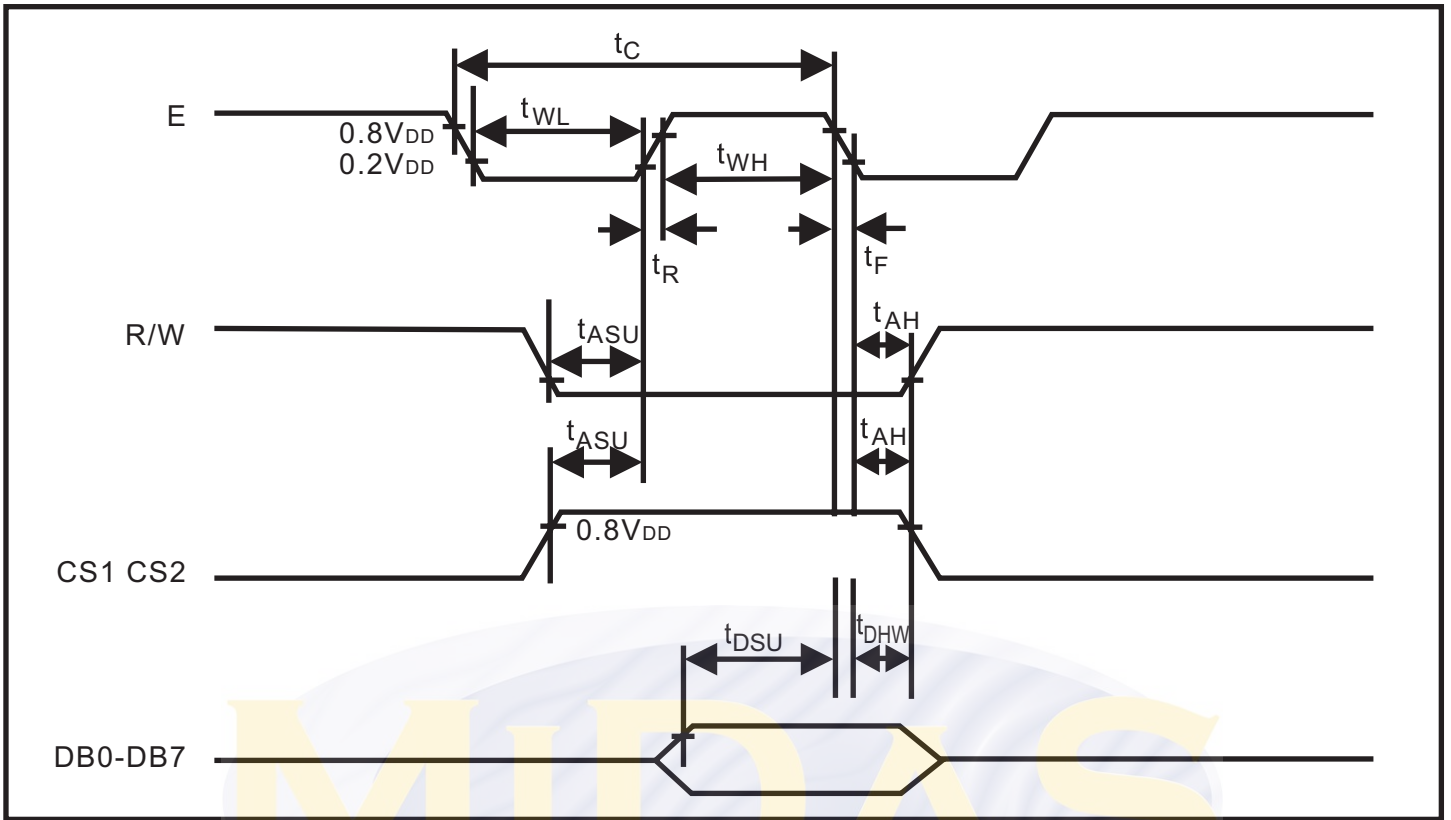
(Unless otherwise stated, VDD= +5V ± 10%, VSS=0V, Ta=25°C)

| Parameter | Symbol | Condition | Min. | Typ. | Max. | Unit |
|---------------------------------|--------|---------------------------------------|--------|------|--------|---------|
| High Level Input Voltage | VIH1 | --- | 0.7VDD | --- | VDD | V |
| | VIH2 | --- | 0.7VDD | --- | VDD | V |
| Low Level Input Voltage | VIL1 | --- | 0 | --- | 0.3VDD | V |
| | VIL2 | --- | 0 | --- | 0.8 | V |
| High Level Output Voltage | VOH | IOH = - 200 μ A | 2.4 | --- | --- | V |
| Low Level Output Voltage | VOL | IOL = 1.6 mA | --- | --- | 0.4 | V |
| Input Leakage Current | ILKG | VIN = VDD to VSS | -1.0 | --- | 1.0 | μ A |
| Three-State (OFF) Input Current | ITSL | VIN = VDD to VSS | -5.0 | --- | 5.0 | μ A |
| Operating Current | IDD1 | During Display | --- | --- | 100 | μ A |
| | IDD2 | During Access, Access Cycle = 1MHz | --- | --- | 500 | μ A |

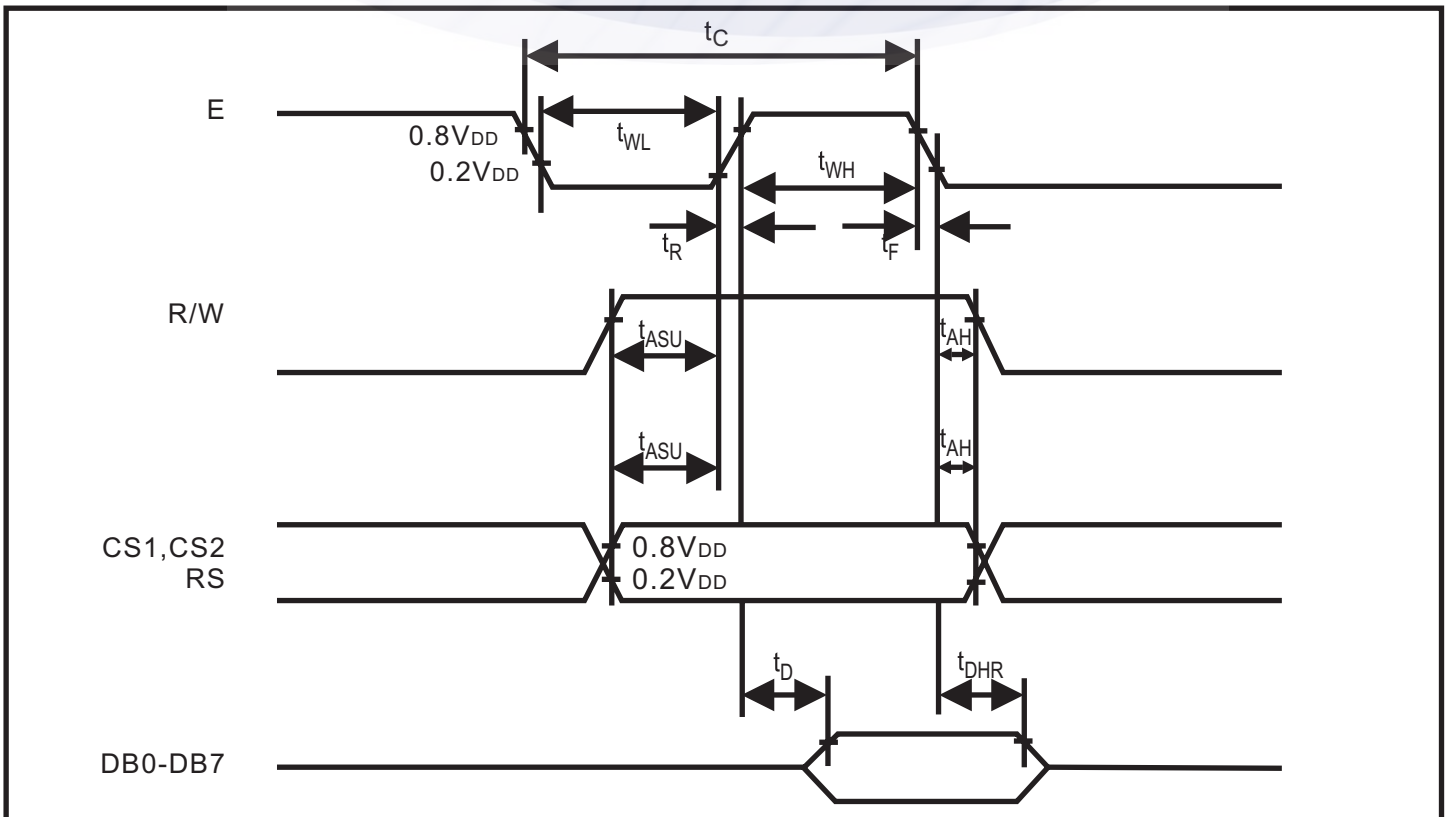
7. AC CHARACTERISTIC

| Characteristic | Symbol | Min | Typ | Max | Unit |
|------------------------|------------------|------|-----|-----|------|
| E Cycle | t _c | 1000 | — | — | ns |
| E High Level Width | t _{WH} | 450 | — | — | ns |
| E Low Level Width | t _{WL} | 450 | — | — | ns |
| E Rise Time | t _R | — | — | 25 | ns |
| E Fall Time | t _F | — | — | 25 | ns |
| Address Setup Time | t _{ASU} | 140 | — | — | ns |
| Address Hold Time | t _{AH} | 10 | — | — | ns |
| Data Setup Time | t _{DSU} | 200 | — | — | ns |
| Data Delay Time | t _D | — | — | 320 | ns |
| Data Hold Time (Write) | t _{DHW} | 10 | — | — | ns |
| Data Hold Time (Read) | t _{DHR} | 20 | — | — | ns |

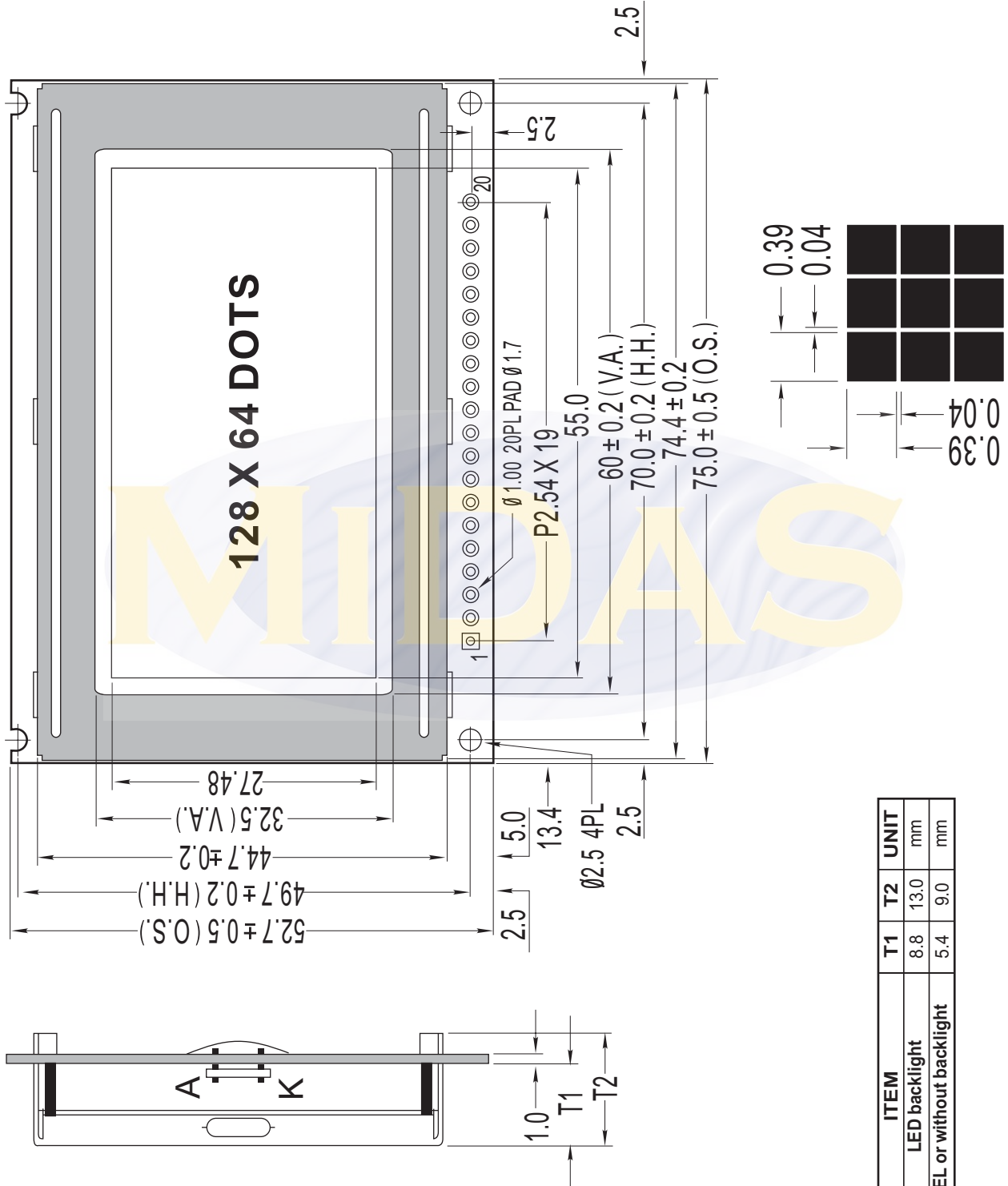
7.1 WRITE MODE TIMING DIAGRAM



7.2 READ MODE TIMING DIAGRAM



8.EXTERNAL DIMENSIONS

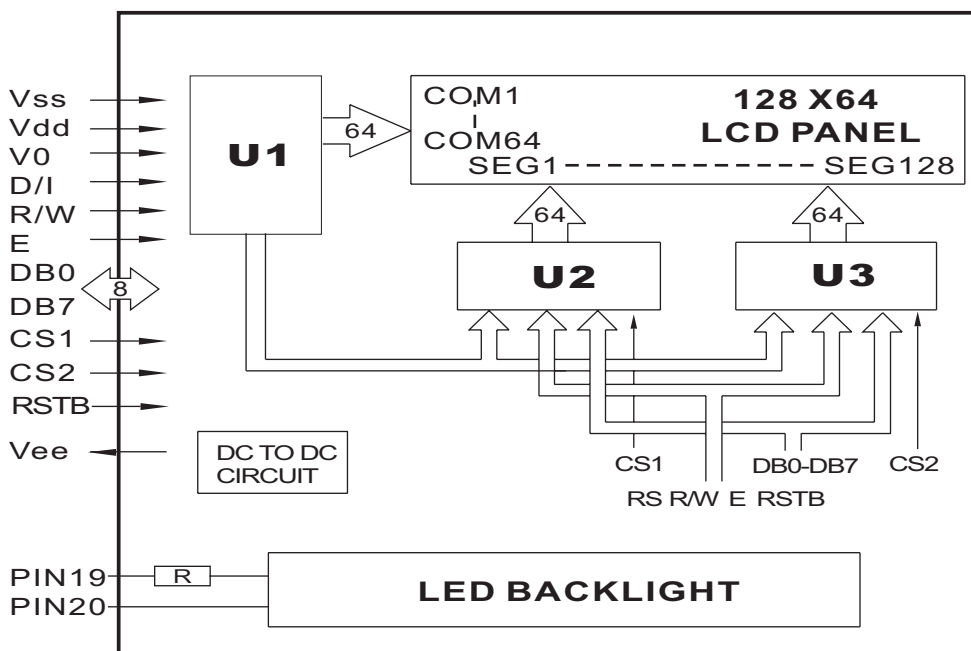


| | | | | |
|--|----------------------|-------------------|-------------|-------------|
| | PRODUCT SPEC. | MODE NO. | PAGE | 8/16 |
| | | MC128064C6W-FPTLW | | |

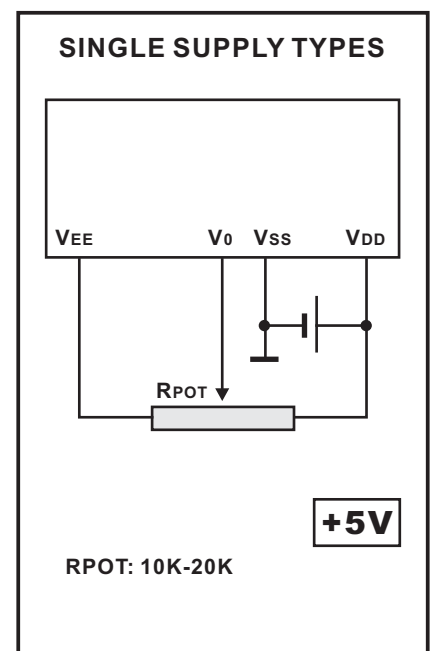
9. PIN ASSIGNMENT

| PIN NO. | SYMBOL | FUNCTION | REMARK |
|---------|--------|----------------------------------|-----------------|
| 1 | Vdd | Power Supply | +5V |
| 2 | Vss | | 0V |
| 3 | V0 | | Contrast Adjust |
| 4 | DB0 | Data Bit 0 | |
| 5 | DB1 | Data Bit 1 | |
| 6 | DB2 | Data Bit 2 | |
| 7 | DB3 | Data Bit 3 | |
| 8 | DB4 | Data Bit 4 | |
| 9 | DB5 | Data Bit 5 | |
| 10 | DB6 | Data Bit 6 | |
| 11 | DB7 | Data Bit 7 | |
| 12 | CS1 | When CS1=H,CS2=L, select U2 | |
| 13 | CS2 | When CS1=L,CS2=H, select U3 | |
| 14 | RSTB | Reset signal | |
| 15 | R/W | Read / Write | |
| 16 | D/I | H/L H: Data, L: Instruction code | |
| 17 | E | Chip Enable signal | |
| 18 | Vee | Negative voltage output | |
| 19 | LED+ | Anode of LED Unit | 5.0V |
| 20 | LED- | Cathode of LED Unit | 0V |

10. BLOCK DIAGRAM



11. POWER SUPPLY



| | | | | |
|--|----------------------|--------------------------------------|-------------|-------------|
| | PRODUCT SPEC. | MODE NO. MC128064C6W-FPTLW | PAGE | 9/16 |
|--|----------------------|--------------------------------------|-------------|-------------|

12. FUNCTIONAL DESCRIPTION

12.1 RESET

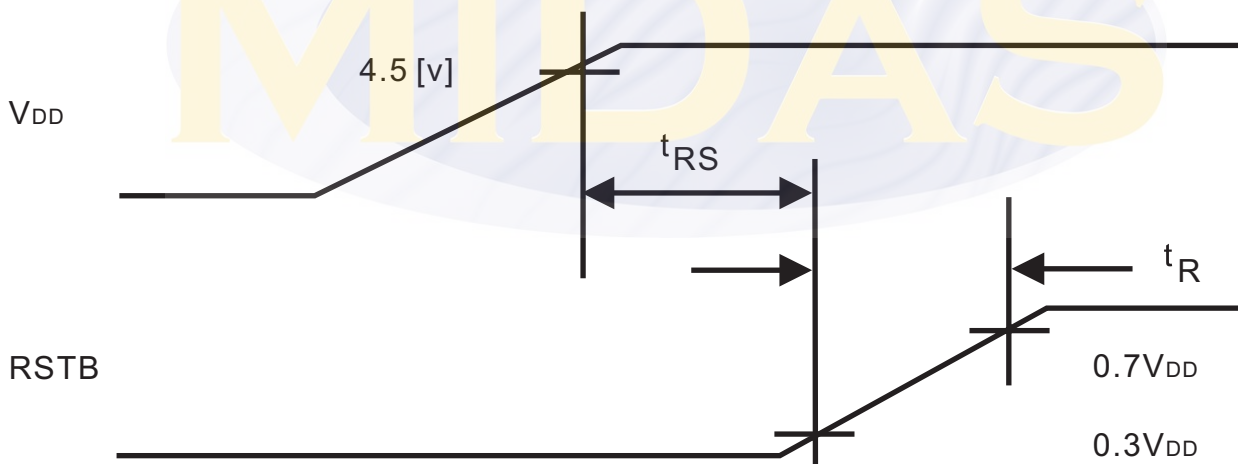
The system can be initialized by setting the RSTB to LOW when turning the power ON or by instruction from the MPU. When the RSTB is set to LOW, the following condition occurs:

1. The Display is turned OFF.
2. The Display Start Line register is set to 0 (Z-Address 0).

No instructions except the status read can be executed when the RSTB is LOW. This means that in order to execute other instructions, the RSTB must be cleared by setting DB4 to 0 and the DB7 set to 0 by status read instruction.

The table below shows the power supply initial conditions.

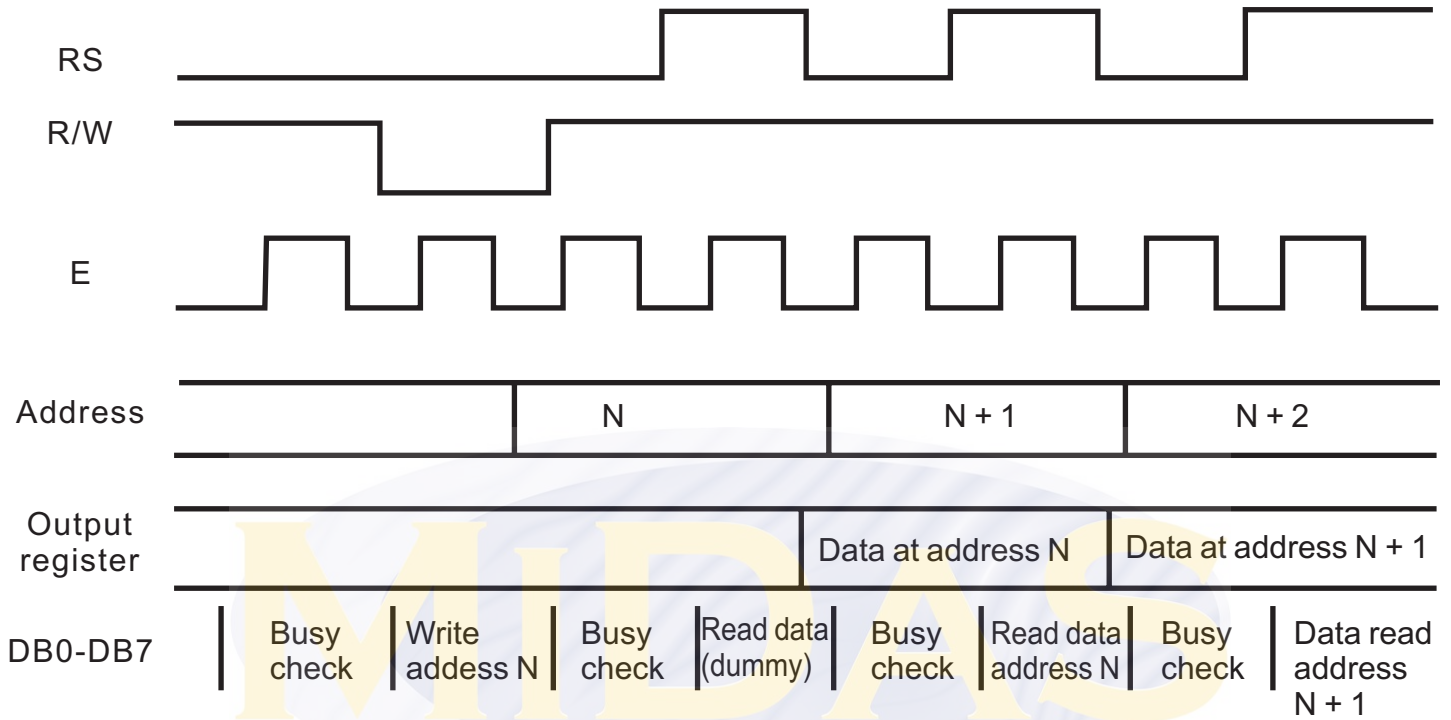
| Parameter | Symbol | Min. | Typ. | Max. | Unit |
|------------|----------|------|------|------|---------|
| Reset Time | t_{RS} | 1.0 | - | - | μS |
| Rise Time | t_R | - | - | 200 | nS |



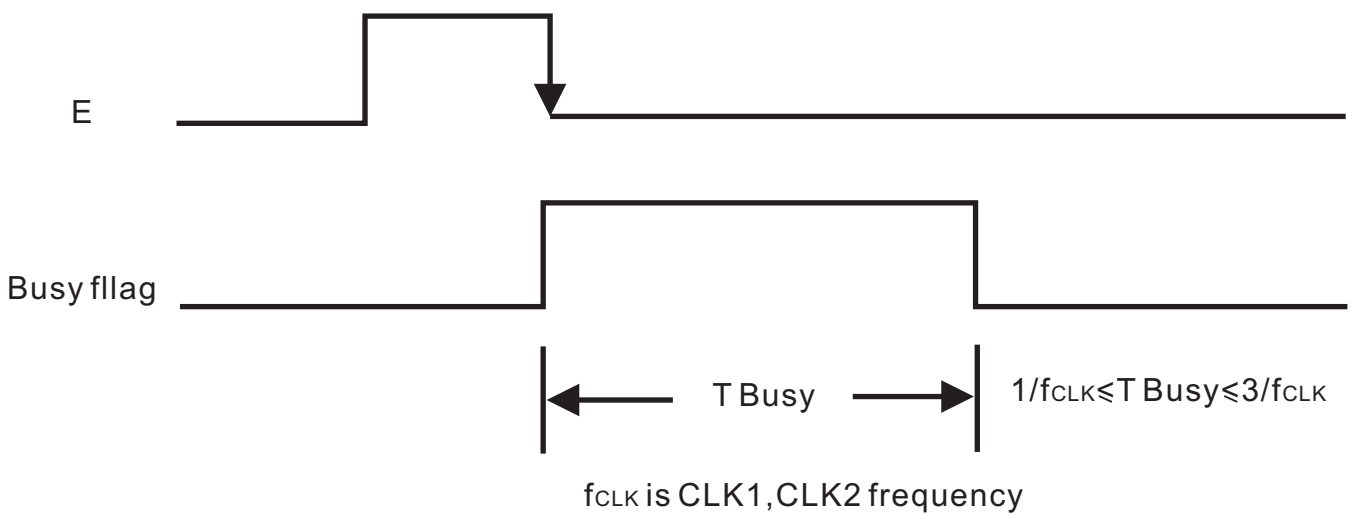
| | | | | |
|--|----------------------|-------------------|-------------|--------------|
| | PRODUCT SPEC. | MODE NO. | PAGE | 10/16 |
| | | MC128064C6W-FPTLW | | |

12.2 BUSY FLAG

The busy flag (DB7) is used to determine whether Nt7108 is operating or not. When the busy flag is HIGH, internal operation is taking place. When the busy flag is LOW, Nt7108 can accept data or instructions. The busy check diagram is shown below.

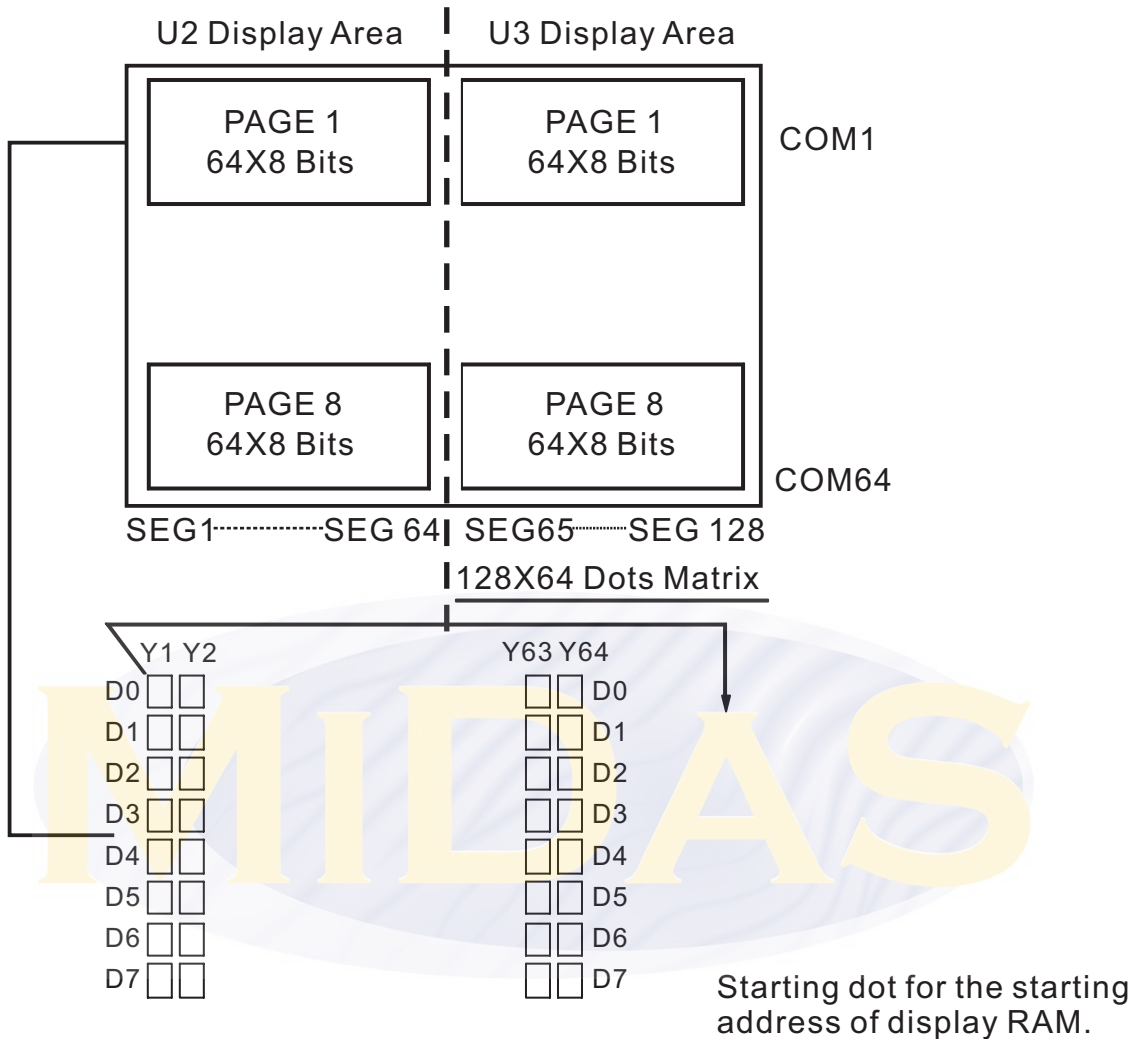


The busy flag diagram is shown below.



| | | | |
|--|----------------------|-------------------|-------------------|
| | PRODUCT SPEC. | MODE NO. | PAGE 11/16 |
| | | MC128064C6W-FPTLW | |

12.3 RELATION BETWEEN DISPLAY PATTERN AND DRIVERS



Each segment driver has 8 pages RAM, and each page has 64x8 bits RAM. D0~D7 are 8 bits transmitted data, where D0 is LSB and D7 is MSB.

12.4 DISPLAY DATA RAM

The Display Data RAM is used to store the display data for the liquid crystal display. Write data 1 is indicates an ON State of the LCDs dot matrix while the OFF State is written as 0. ADC Signal can control the Display Data RAM and the segment output. Please refer to the table below.

| ADC * | Display Data |
|--------------|------------------------------------|
| H | Y-Address 0:S1 to Y-Address 63:S64 |

BOOKBINDING AREA

| | | | | | |
|--|----------------------|-------------------|--|-------------|--------------|
| | PRODUCT SPEC. | MODE NO. | | PAGE | 12/16 |
| | | MC128064C6W-FPTLW | | | |

13. INSTRUCTION

| Instruction | RS | R/W | DB7 | DB6 | DB5 | DB4 | DB3 | DB2 | DB1 | DB0 | Function | |
|--------------------------------|----|-----|------------------|-----|----------------------------|-----------------------|-----|------------|-----|-----|--|--|
| Display ON/OFF | L | L | L | L | H | H | H | H | H | L/H | Controls the display on or off. Internal status and display RAM data is not affected. L:OFF H:ON | |
| Set address (Y address) | L | L | L | H | Y address (0~63) | | | | | | Sets the Y address in the Y address counter. | |
| Set Page (X address) | L | L | H | L | H | H | H | Page (0~7) | | | Sets the X address at the X address register. | |
| Display Start Line (Z address) | L | L | H | H | Display start line (0~63) | | | | | | Indicates the display data RAM displayed at the top of the screen. | |
| Status Read | L | H | B U S Y | L | O N / O F F | R E S E T | L | L | L | L | BUSY L:Ready H:In operation ON/OFF L:Display ON H:Display OFF RESET L:Normal H:Reset | |
| Write Display Data | H | L | Write Data | | | | | | | | | Writes data (DB0:7) into display data RAM,After writing instruction,Y address is increased by 1 automatically. |
| Read Display Data | H | H | Read Data | | | | | | | | | Reads data (DB0:7) from display data RAM to the data bus. |

| | | | | |
|--|----------------------|-------------------|-------------|--------------|
| | PRODUCT SPEC. | MODE NO. | PAGE | 13/16 |
| | | MC128064C6W-FPTLW | | |

14. DESCRIPTION OF COMMAND

Display On/Off

| RS | R/W | DB7 | DB6 | DB5 | DB4 | DB3 | DB2 | DB1 | DB0 |
|----|-----|-----|-----|-----|-----|-----|-----|-----|-----|
| 0 | 0 | 0 | 0 | 1 | 1 | 1 | 1 | 1 | D |

The display data appears when D is 1 and disappears when D is 0.

Though the data is not on the screen with D=0, it remains in the display data RAM.

Therefore, you can make it appear by changing D=0 into D=1.

Set Address(Y Address)

| RS | R/W | DB7 | DB6 | DB5 | DB4 | DB3 | DB2 | DB1 | DB0 |
|----|-----|-----|-----|-----|-----|-----|-----|-----|-----|
| 0 | 0 | 0 | 1 | AC5 | AC4 | AC3 | AC2 | AC1 | AC0 |

Y address (AC0-AC5) of the display data RAM is set in the Y address counter.

An address is set by instruction and increased by 1 automatically by read or write operations of display data.

Set Page(X Address)

| RS | R/W | DB7 | DB6 | DB5 | DB4 | DB3 | DB2 | DB1 | DB0 |
|----|-----|-----|-----|-----|-----|-----|-----|-----|-----|
| 0 | 0 | 1 | 0 | 1 | 1 | 1 | AC2 | AC1 | AC0 |

X address (AC0-AC2) of the display data RAM is set in the X address register.

Writing or reading to or from MPU is executed in this specified page until the next page is set.

Display Start Line(Z Address)

| RS | R/W | DB7 | DB6 | DB5 | DB4 | DB3 | DB2 | DB1 | DB0 |
|----|-----|-----|-----|-----|-----|-----|-----|-----|-----|
| 0 | 0 | 1 | 1 | AC5 | AC4 | AC3 | AC2 | AC1 | AC0 |

Z address (AC0-AC5) of the display data RAM is set in the display start line register and displayed at the top of the screen.

When the display duty cycle is 1/64 or others(1/32-1/64), the data of total line number of LCD screen, from the line specified by display start line instruction, is displayed.

| | | | | |
|--|----------------------|--------------------------|-------------|--------------|
| | PRODUCT SPEC. | MODE NO. | PAGE | 14/16 |
| | | MC128064C6W-FPTLW | | |

Status Read

| | | | | | | | | | |
|----|-----|------|-----|--------|-------|-----|-----|-----|-----|
| RS | R/W | DB7 | DB6 | DB5 | DB4 | DB3 | DB2 | DB1 | DB0 |
| 0 | 1 | BUSY | 0 | ON/OFF | RESET | 0 | 0 | 0 | 0 |

● **BUSY**

When BUSY is 1, the Chip is executing internal operation and no instructions are accepted.
When BUSY is 0, the Chip is ready to accept any instructions.

● **ON/OFF**

When ON/OFF is 1, the display is off.
When ON/OFF is 0, the display is on.

● **RESET**

When RESET is 1, the system is being initialized.
In this condition, no instructions except status read can be accepted.
When RESET is 0, initializing has finished and the system is in the usual operation condition.

Write Display Data

| | | | | | | | | | |
|----|-----|-----|-----|-----|-----|-----|-----|-----|-----|
| RS | R/W | DB7 | DB6 | DB5 | DB4 | DB3 | DB2 | DB1 | DB0 |
| 1 | 0 | D7 | D6 | D5 | D4 | D3 | D2 | D1 | D0 |

Writes data (D0-D7) into the display data RAM.
After writing instruction, Y address is increased by 1 automatically.

Read Display Data

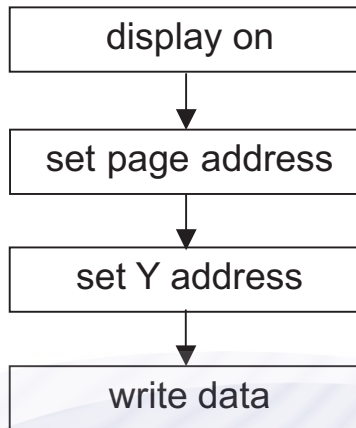
| | | | | | | | | | |
|----|-----|-----|-----|-----|-----|-----|-----|-----|-----|
| RS | R/W | DB7 | DB6 | DB5 | DB4 | DB3 | DB2 | DB1 | DB0 |
| 1 | 1 | D7 | D6 | D5 | D4 | D3 | D2 | D1 | D0 |

Reads data (D0-D7) from the display data RAM.
After reading instruction, Y address is increased by 1 automatically.

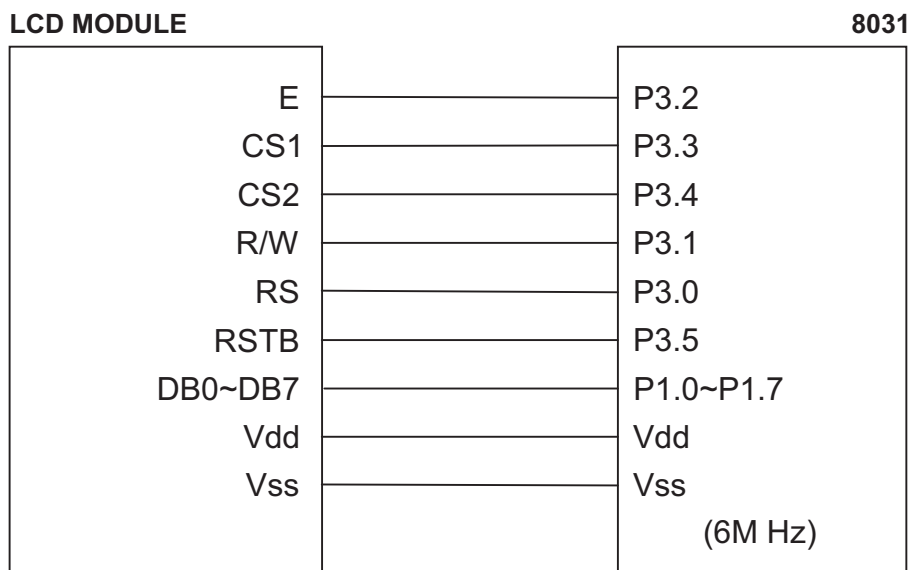
| | | | | |
|--|----------------------|-------------------|-------------|--------------|
| | PRODUCT SPEC. | MODE NO. | PAGE | 15/16 |
| | | MC128064C6W-FPTLW | | |

15. APPLICATION EXAMPLE

Application Flowchart



Application Circuit



BOOKBINDING AREA

| | | | |
|--|----------------------|-------------------|-------------------|
| | PRODUCT SPEC. | MODE NO. | PAGE 16/16 |
| | | MC128064C6W-FPTLW | |

16. PACKING DETAIL

| WITH LED BKL | WITHOUT LED BKL |
|-----------------------------|-----------------------------|
| 30 PCS/BOX | 30 PCS/BOX |
| 8 BOXES/CARTON | 8 BOXES/CARTON |
| 240 PCS/CARTON | 240 PCS/CARTON |
| 19.00 KGS/CTN(G.W.) | 17.00 KGS/CTN(G.W.) |
| 0.07 M ³ /CARTON | 0.07 M ³ /CARTON |

| NOTE |
|--|
| 1. The weight is estimated for reference only. |
| 2. Packing detail may be changed without notice. |
| |
| |
| |

