



Copyright FCI



FCIconnect.com



APP:U

IIITL:U



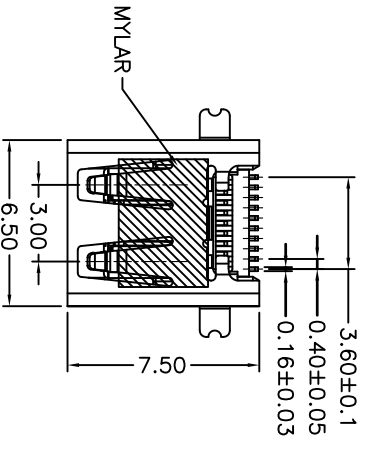
4

PART NUMBER
10118241-001RLF

1 | 2

3 |

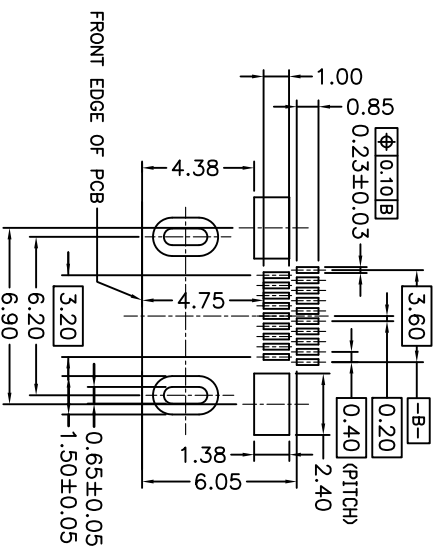
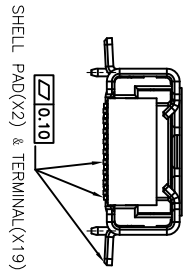
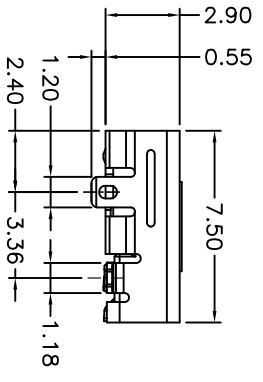
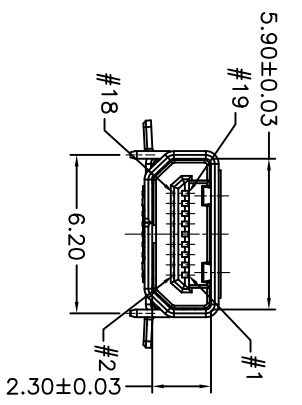
4



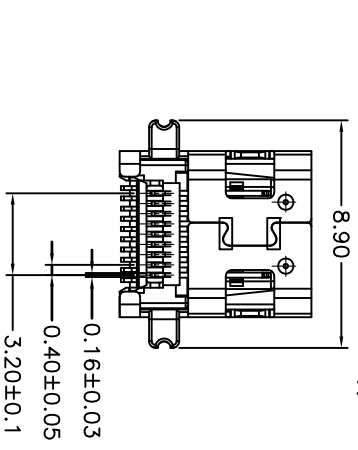
PART NO. DESCRIPTION:
10118241-00XXLF

ROHS COMPATIBLE
PACKING TYPE
R:TAPE & REEL
CONTACT AREA PLATING
1:Au 15U"

- NOTES:
- MATERIAL:
HOUSING: LCP+30%GF ,UL94 V-0,BLACK
TERMINAL: COPPER ALLOY,
SHELL: STAINLESS STEEL
 - FINISH:
CONTACT AREA: GOLD PLATED
CONTACT SOLDER AREA: GOLD FLASH PLATED
SHELL: TIN PLATED
UNDER NICKEL PLATED OVER ALL.
 - PRODUCT SPECIFICATION: GS-12-0983.
 - PACKAGING SPECIFICATION: GS-14-2164.
 - THE PRODUCT MEETS EUROPEAN UNION DIRECTIVES AND OTHER COUNTRY REGULATIONS AS DESCRIBED IN GS-22-008,
 - THE CONNECTOR CAN WITHSTAND EXPOSURE TO 260 DEGREE C PEAK TEMPERATURE FOR 10 SECONDS IN IR REFLDOW OVEN.



RECOMMENDED PCB LAYOUT (XX±0.05)
CONNECTOR SIDE (TOP VIEW)



mat'l. code		surface		tolerance		projection		product family	
lfr	ecn no	dr	date	ASME Y14.5	ASME Y14.5	ASME Y14.5	ASME Y14.5	title	HDMI
A	LS	09/13/11		tolerances unless otherwise specified				HDMI TYPE D RECEPTACLE	
				angles					
				X±1°					
				dr	LEIF SHEN	08/13/11		dwg no	sheet 1 of 1
				engr	LEIF SHEN	08/13/11		10118241	A4
				chr	GARY HSEH	08/13/11			
				appd	GARY HSEH	08/13/11			
Sheet	revision	A							
Index	Sheet	1							

form: AdmmXlc

1 |

2 |

3 |

4

B

A

A

B