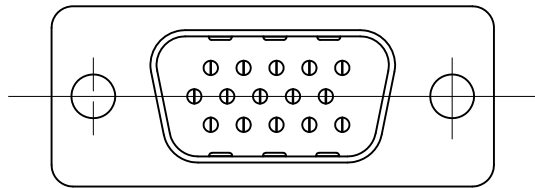
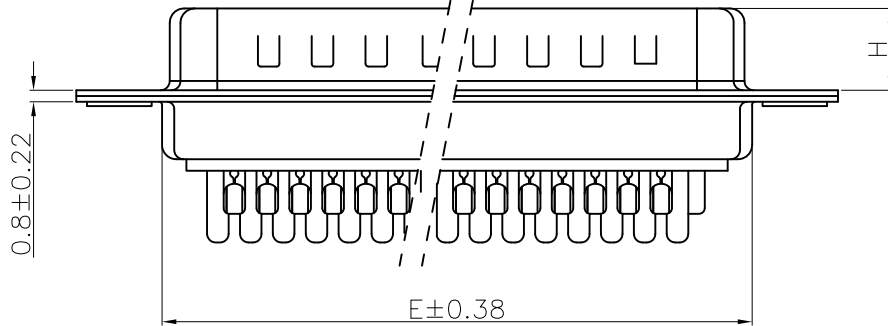


FOR 26/44/62P



FOR 15P

POS.	PART NO.	A	B	C	D	E	H
15	10090769-P15*ALF	30.81	24.99	16.92	2.29	19.10	5.90 ^{+0.25} ₀
26	10090769-P26*ALF	39.24	33.32	25.25	2.29	27.75	5.90 ^{+0.25} ₀
44	10090769-P44*ALF	53.04	47.04	38.96	2.29	41.30	5.70 ^{+0.25} ₀
62	10090769-P62*ALF	69.32	63.50	55.42	2.41	57.40	5.70 ^{+0.25} ₀

REMARK:

1. CHARACTERISTICS:

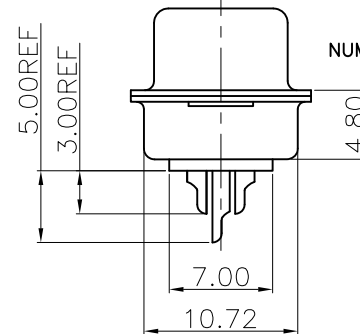
RATED VOLTAGE: 250V
 RATED CURRENT: 2.5AMP
 CONTACT RESISTANCE: 25mohms MAX. INITIAL,
 40mohms MAX. AFTER.
 INSULATION RESISTANCE: 5000Mohms MIN. at 500V DC
 DIELECTRIC STRENGTH: 750VRMS
 OPERATING TEMPERATURE RANGE: -55°C ~105°C
 INSERTION/EXTRACTION FORCE PER CONTACT: 5N Max./0.2N Min.
 MATING/UNMATING CYCLES: 50MATINGS MIN FOR GOLD-FLASH
 500MATINGS MIN FOR 30u" GOLD.

2. MATERIAL:

INSULATORS: THERMOPLASTIC G.F(UL94V-0) BLACK
 CONTACTS: COPPER ALLOY, GOLD(G/F or 30u") TOP OVER CONTACT
 AREA, 100u" Min MATTE TIN TOP OVER SOLDER AREA,
 50u" Min NICKEL UNDER PLATE.
 SHELL: CARBON STEEL, 100u" Min NICKEL TOP OVER,
 50u" Min COPPER UNDER PLATE.

3. PART NUMBER DESCRIPTION: 10090769-P XX X X LF

SERIES NO.
 TYPE: P: PIN (MALE)
 NUMBER OF CONTACTS:
 15: 15-PIN
 26: 26-PIN
 44: 44-PIN
 62: 62-PIN
 LF: ROHS COMPLIANT
 FLANGE MOUNTING OPTION
 A: STANDARD HOLE
 CONTACT FINISH
 4: GOLD FLASH
 6: 30u" GOLD

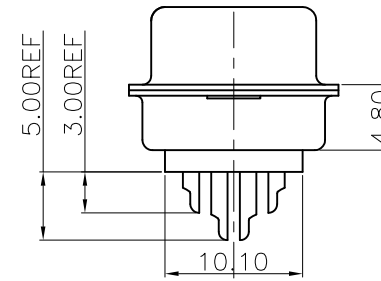
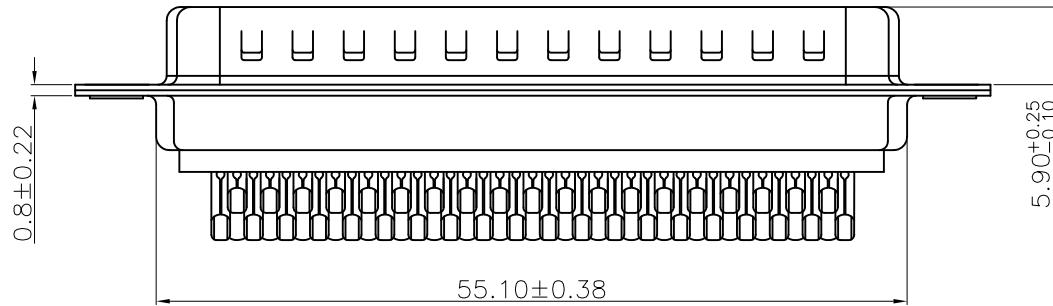
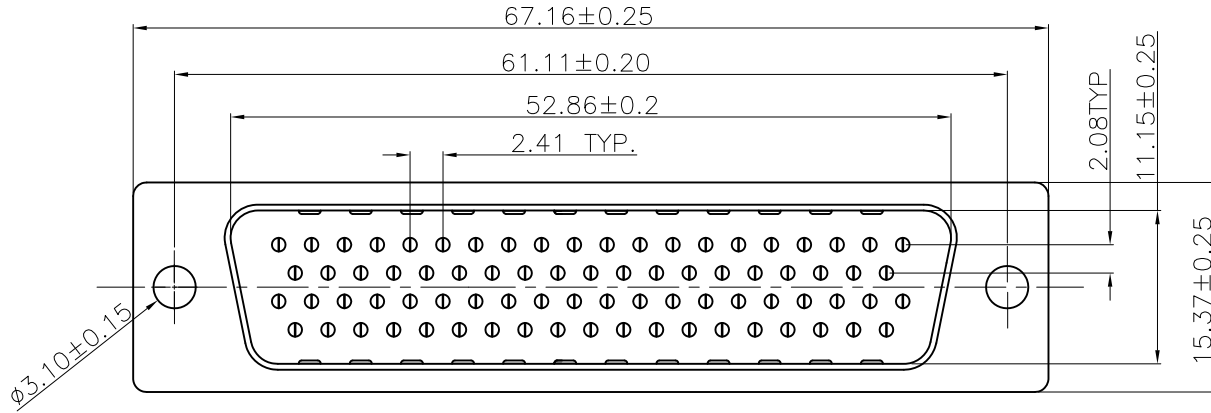


mat'l. code				tolerances unless otherwise specified		CUSTOMER COPY		FCI		www.fciconnect.com		
ltr	ecn no	dr	date	linear	.X ± 0.38	projection	title	H/D D-SUB MALE SOLDER BUCKET				
A	T09-1156	J.H	12/10/09		.XX ± 0.25							
					.XXX ± 0.10							
				angles	0° ±2°	MM	scale	product family		code		
				dr	JASON HSU			12/10/09	D-SUB		TWN	
				enr	JASON HSU			12/10/09	size		dwg no	
				chr	GARY HSIEH	12/10/09	1:1	A4	10090769		sheet 1 of 2	
				appd	JOSEPH HSIA	12/10/09						
sheet index	revision sheet	A	A	1	2	cage code						

Tous droits strictement réservés. Reproduction ou communication a des tiers interdite sous quelque forme que ce soit sans autorisation écrite du propriétaire. Propriete de c FCI. Droite de reproduction FCI.



All rights strictly reserved. Reproduction or issue to third parties in any form whatever is not permitted without written authority from the proprietor. Property of FCI. Copyright FCI.



REMARK:

1. CHARACTERISTICS:

RATED VOLTAGE: 250V
 RATED CURRENT: 2.5AMP
 CONTACT RESISTANCE: 35mohms MAX. INITIAL,
 50mohms MAX. AFTER.
 INSULATION RESISTANCE: 5000Mohms MIN. at 500V DC
 DIELECTRIC STRENGTH: 750VRMS
 OPERATING TEMPERATURE RANGE: -55°C ~105°C
 INSERTION/EXTRACTION FORCE PER CONTACT: 5N Max. /0.2N Min.
 MATING/UNMATING CYCLES: 50MATINGS MIN FOR GOLD-FLASH
 500MATINGS MIN FOR 30u" GOLD.

2. MATERIAL:

INSULATORS: THERMOPLASTIC G.F(UL94V-0) BLACK
 CONTACTS: COPPER ALLOY, GOLD(G/F or 30U") TOP OVER CONTACT
 AREA, 100u" Min MATTE TIN TOP OVER SOLDER AREA,
 50u" Min NICKEL UNDER PLATE.
 SHELL: CARBON STEEL, 100u" Min NICKEL TOP OVER,
 50u" Min COPPER UNDER PLATE.

3. PART NUMBER DESCRIPTION: 10090769-P XX X X LF

SERIES NO. _____
 TYPE _____
 P: PIN (MALE)
 NUMBER OF CONTACTS _____
 78: 78-PIN

LF:ROHS COMPLIANT
 FLANGE MOUNTING OPTION
 A:STANDARD HOLE

CONTACT FINISH
 4:GOLD FLASH
 6:30u" GOLD

PART NO.: 10090769-P78*ALF

mat'l. code				tolerances unless otherwise specified			CUSTOMER COPY		FCI www.fciconnect.com		
ltr	ecn no	dr	date	linear	.X ± 0.38		projection	title			
A					.XX ± 0.25			H/D D-SUB 78P MALE SOLDER BUCKET	product family D-SUB		code
					.XXX ± 0.10				MM	size dwg no	
				angles	0° ±2°		scale	A4		sheet	
				dr	JASON HSU	12/10/09	1:1	10090769		2 of 2	
				enr	JASON HSU	12/10/09					
				chr	GARY HSIEH	12/10/09					
				appd	JOSEPH HSIA	12/10/09					
sheet index	revision sheet										