

TECHNICAL CHARACTERISTICS

SPECIFICATION

- >Rating: 50mA, 12VDC
- >Contact Resistance:
 - Initial: 100mOHM max.
 - After Life Test: 20HM max.
- >Insulation Resistance: min. 100MOHM at 500VDC
- >Dielectric Strength: 250VAC for 1 minute
- >Stroke: 0.25 ± 0.15mm

MATERIAL

- >Cover: Stainless Steel
- >Stem: LCP UL 94V-0
- >Frame: LCP UL 94V-0, color Black
- >Contact: Stainless Steel with silver cladding
- >Terminal: Brass with silver plating
- >Tape: Polyimide tape

SOLDERING INFORMATION

- >Terminal in SMD version
- >Reflow soldering according to JEDEC J-STD-020D
- >Hand soldering under 350 °C for 3 sec. max

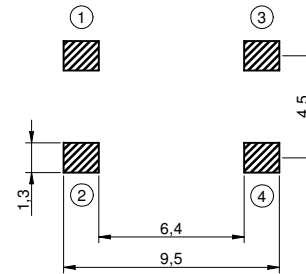
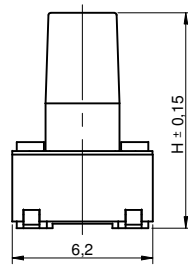
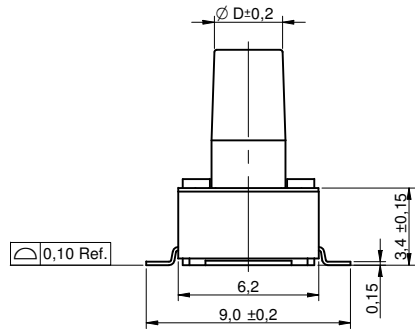
ENVIRONMENTAL

- >Storage condition: -40 °C ~ +85 °C
- >Operation condition: -40 °C ~ +85 °C
- >Compliance: Lead Free, ROHS, Reach

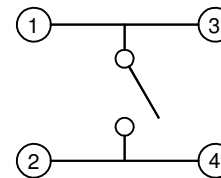
PACKAGING INFORMATION

>Tape & Reel

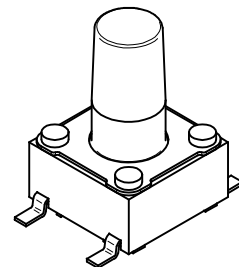
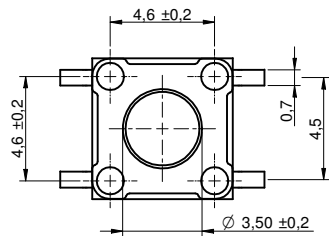
PN	Force	Color of Stem	Life cycle	- 043		- 050		- 070		- 095		- 130	
				H	Ø D	H	Ø D	H	Ø D	H	Ø D	H	Ø D
430 182 xxx 816	160g ± 50gr	Black	1.000.000										
430 152 xxx 826	260g ± 50gr	White	200.000	4.3	3.5	5.0	3.5	7.0	3.0	9.5	3.0	13.0	3.0
430 152 xxx 836	360g ± 50gr	Salmon	200.000										



P.C.B. MOUNTING PLAN



SCHEMATIC



Scale - 3:1

		Projection		GENERAL TOLERANCE		Basic material				
				.x = +/- 0,2 .xx = +/- 0,15						
				Date	Name	DESCRIPTION				
				Drawn	09-09-15	Jelisarow	SwTact			
				Checked			WS-TSS 6x6mm Tact Switch, SMD version			
				Würth Elektronik eiCan		Scale	3:1	Position		SIZE
						Drawing.- No. 4301x2xxx8x6				A4
REV	FILE	DATE	BY	EDV NO	4301x2xxx8x6.dft		System Solid Edge V20			