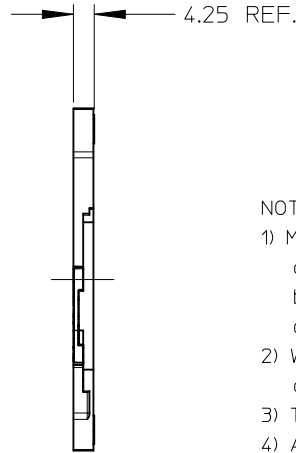
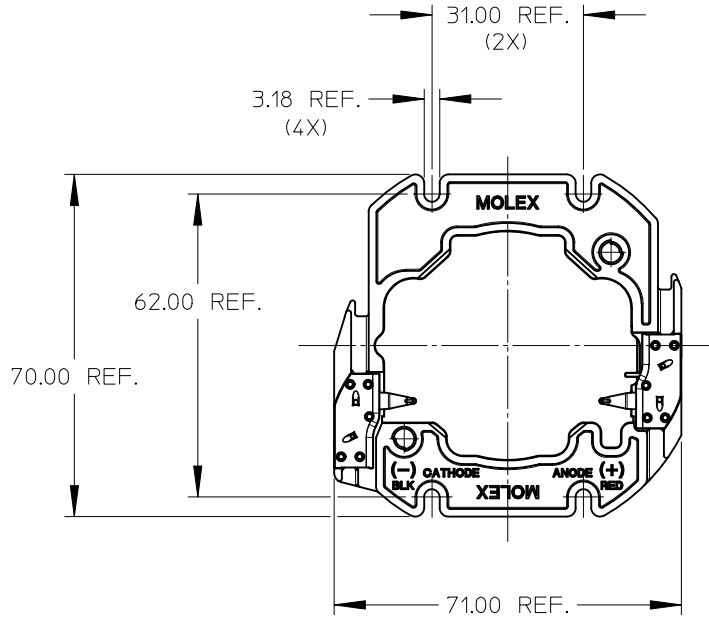
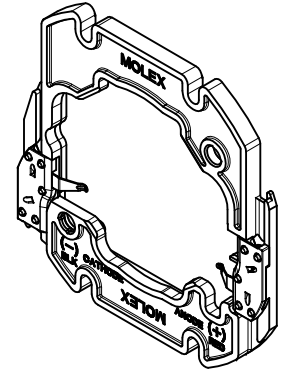
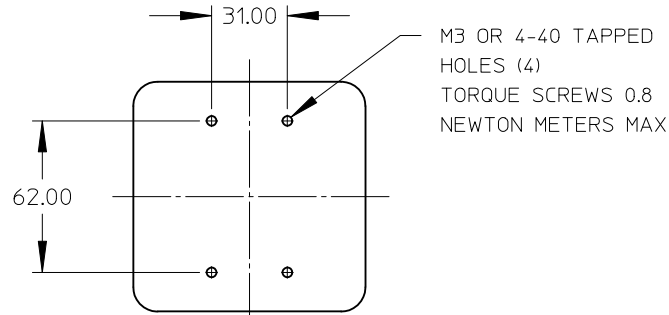


10	9	8	7	6	5	4	3	2	1
PART NUMBER	DESCRIPTION	SEE SHEET	STATUS						
180180-0000	HOLDER WITHOUT LENS	3	TOOLED						
180180-0001	HOLDER WITH LENS	3	NOT TOOLED						
180182-0000	COVER LENS ONLY	3	NOT TOOLED						
N/A	REFLECTOR OPTION (LEDIL)	4	AVAILABLE THRU LEDIL						



NOTES:

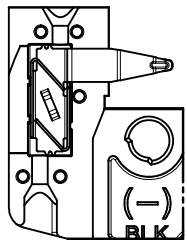
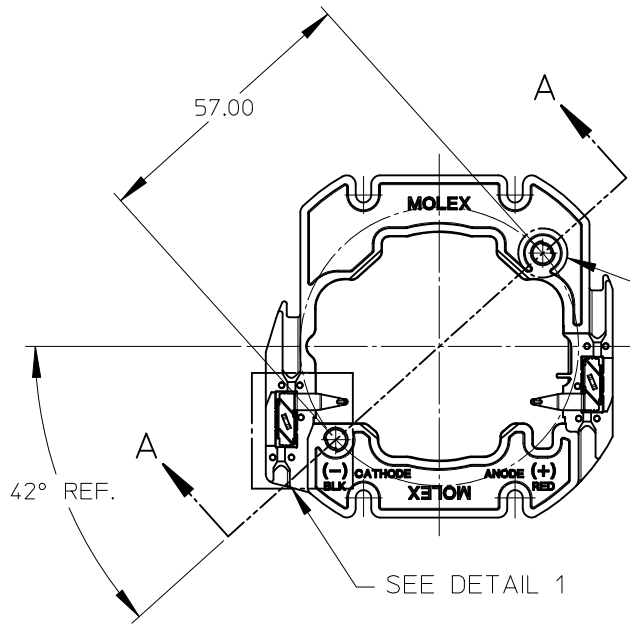
- 1) MATERIALS:
 - a. CAPS: NATURAL COLOR PA66 NYLON 25% GF UL94V-0
 - b. HOUSING: NATURAL COLOR PA66 NYLON 25% GF UL94V-0
 - c. COVER LENS: CLEAR POLYCARBONATE UL 94HB
- 2) WIRE TRAP TERMINALS: COPPER ALLOY
 - a. FINISH: SILVER OVER NICKEL
- 3) THIS PRODUCT IS ELV AND ROHS COMPLIANT
- 4) APPLICABLE WIRE GAUGE - 18 OR 20 AWG
 - a. SOLID WIRE IS RECOMMENDED
 - b. IF STRANDED WIRE IS USED, PRE-TINNED IS RECOMMENDED
 - c. 1 cm STRIP LENGTH IS RECOMMENDED
- 5) MOUNT HOLDER USING M3 OR 4-40 SCREWS (4), 0.8 NEWTON METERS MAX TORQUE
- 6) CONTACT AREA OF TERMINAL HAS AN ENVIRONMENTAL BARRIER/LUBRICANT FOR CORROSION RESISTANCE



RECOMMENDED MOUNTING DIMENSIONS (NTS)

ENTER DESCRIPTION EC NO: SSL2011-0080 DRAWN BY: JAKLIC 2011/05/05 CHKD: [blank] APPR: DMC GOWAN 2011/05/05	QUALITY SYMBOLS $F/0$ $F/0$ $F/0$	GENERAL TOLERANCES (UNLESS SPECIFIED)		DIMENSION STYLE MM ONLY		SCALE 1:1	DESIGN UNITS METRIC	THIRD ANGLE PROJECTION		
		4 PLACES	± ---	± ---	DRAWN BY	DATE	BRIDGELUX RS LED HOLDER			
		3 PLACES	± ---	± ---	CCARRANZA	2010/10/26				
		2 PLACES	± 0.13	± ---	CHECKED BY	DATE	MOLEX INCORPORATED			
1 PLACE	± 0.25	± ---	DMCGOWAN	2010/12/23						
ANGULAR ±1/2°		DRAFT WHERE APPLICABLE MUST REMAIN WITHIN DIMENSIONS		SEE CHART		APPROVED BY MATERIAL NO.	DATE DOCUMENT NO.	SD-180180-000		
SIZE B		THIS DRAWING CONTAINS INFORMATION THAT IS PROPRIETARY TO MOLEX INCORPORATED AND SHOULD NOT BE USED WITHOUT WRITTEN PERMISSION								

WIRE TRAP CAPS ARE REMOVED FROM FRONT VIEW FOR CLARITY

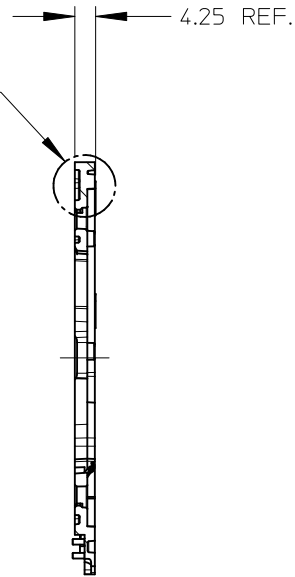


VIEW OF TWO-WAY WIRE TRAP

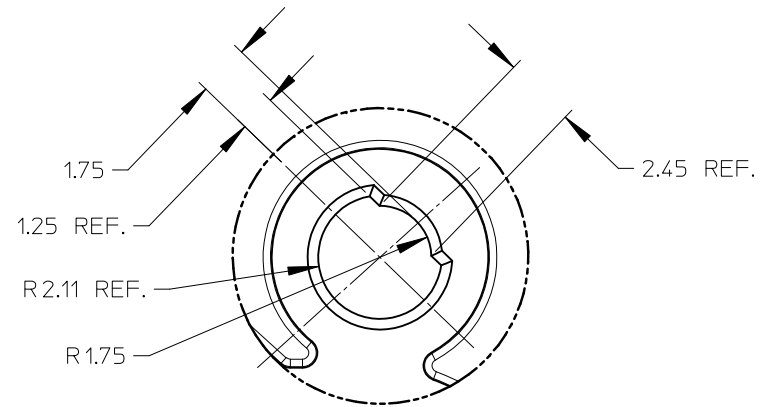
WIRE TRAPS WILL ACCOMODATE
EITHER 18 OR 20 GAUGE WIRE

DETAIL 1 SCALE 2:1

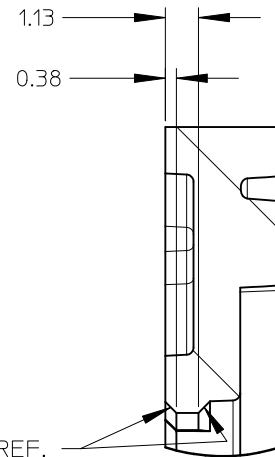
SEE DETAIL 3
SEE DETAIL 2



SECTION A-A
SCALE 1:1



DETAIL 2 SCALE 6:1

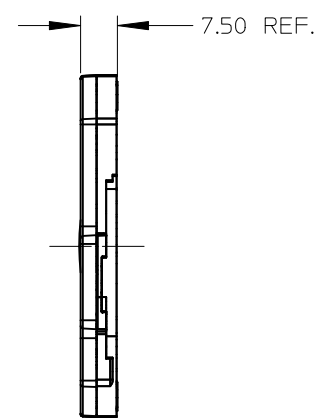
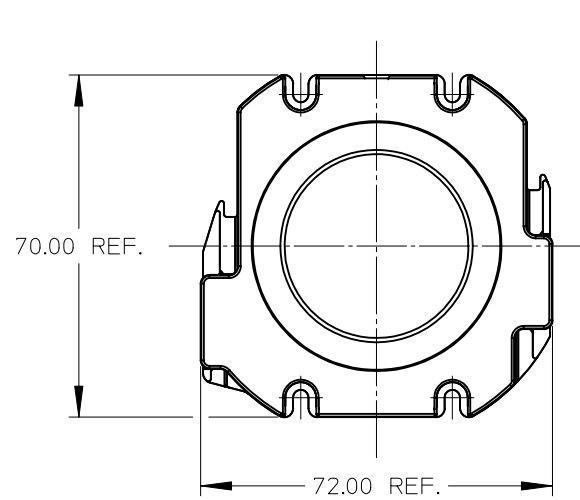
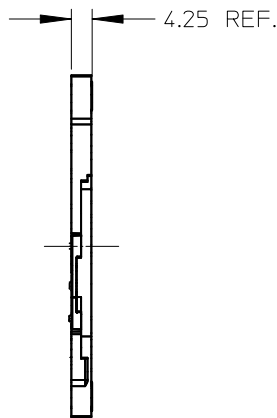
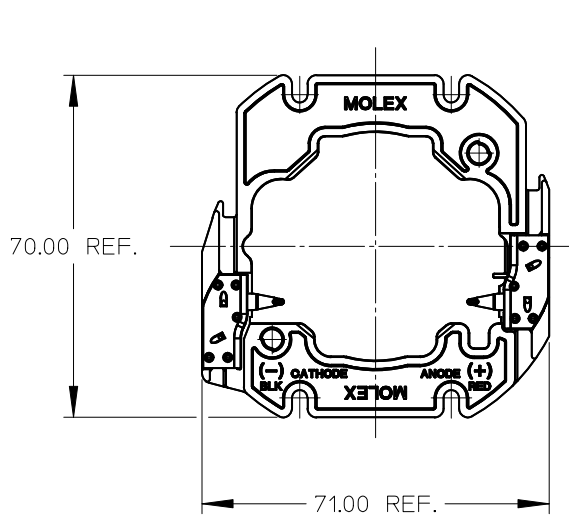
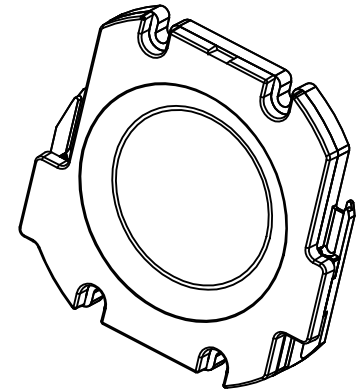
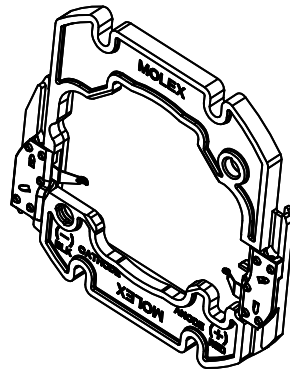


45° CHAMFER REF.

DETAIL 3 SCALE 6:1

ENTER DESCRIPTION EC NO: SSL2011-0080 DRAWN BY: JAKLIC 2011/05/05 CHKD: APPR:DMCGOWAN 2011/05/05 REV:	QUALITY SYMBOLS $\nabla/0$ $\nabla/0$ $\nabla/0$	GENERAL TOLERANCES (UNLESS SPECIFIED) mm INCH 4 PLACES ± --- ± --- 3 PLACES ± --- ± --- 2 PLACES ± 0.13 ± --- 1 PLACE ± 0.25 ± --- ANGULAR ± 1/2°	DIMENSION STYLE MM ONLY DRAWN BY: CCARRANZA DATE: 2010/10/26 CHECKED BY: DATE:	SCALE 2:1 TITLE BRIDGELUX RS LED HOLDER	DESIGN UNITS METRIC THIRD ANGLE PROJECTION
	APPROVED BY: DMCGOWAN DATE: 2010/12/23 MATERIAL NO.	MOLEX INCORPORATED DOCUMENT NO. SD-180180-000	SHEET NO. 2 OF 4		
	DRAFT WHERE APPLICABLE MUST REMAIN WITHIN DIMENSIONS	SEE CHART	THIS DRAWING CONTAINS INFORMATION THAT IS PROPRIETARY TO MOLEX INCORPORATED AND SHOULD NOT BE USED WITHOUT WRITTEN PERMISSION		
	SIZE B				

10 9 8 7 6 5 4 3 2 1



LED HOLDER PART NUMBER 180180-0000

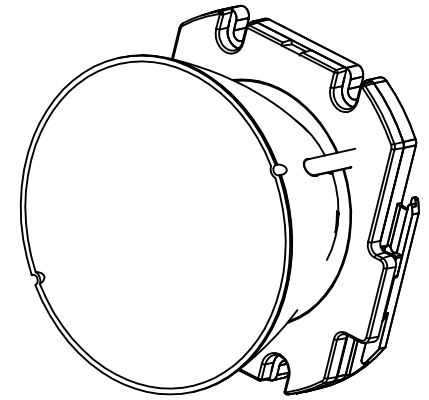
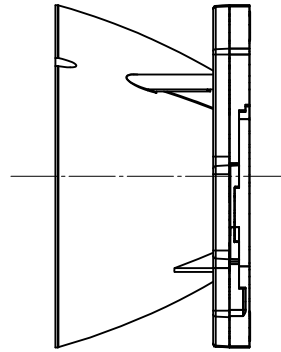
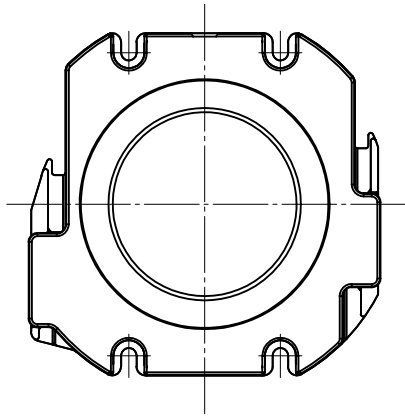
LED HOLDER SHOWN WITH OPTIONAL CLEAR COVER LENS
MOLEX INDIVIDUAL COVER LENS PART NUMBER 180182-0000

ENTER DESCRIPTION EC NO: SSL2011-0080 DRAWN BY: JAKLIC CHKD: JAKLIC APPR: DMCGOWAN DATE: 2011/05/05	QUALITY SYMBOLS ▽/0 ▽/0 ▽/0	GENERAL TOLERANCES (UNLESS SPECIFIED)		DIMENSION STYLE MM ONLY		SCALE 1:1	DESIGN UNITS METRIC	THIRD ANGLE PROJECTION		
		4 PLACES	± ---	± ---	DRAWN BY	DATE	TITLE BRIDGELUX RS LED HOLDER			
		3 PLACES	± ---	± ---	CCARRANZA	2010/10/26				
		2 PLACES	± 0.13	± ---	CHECKED BY	DATE	APPROVED BY DMCGOWAN DATE 2010/12/23			
1 PLACE	± 0.25	± ---	MATERIAL NO.		DOCUMENT NO. SD-180180-000		SHEET NO. 3 OF 4			
ANGULAR ±1/2°		DRAFT WHERE APPLICABLE MUST REMAIN WITHIN DIMENSIONS		SEE CHART		THIS DRAWING CONTAINS INFORMATION THAT IS PROPRIETARY TO MOLEX INCORPORATED AND SHOULD NOT BE USED WITHOUT WRITTEN PERMISSION				

9 8 7 6 5 4 3 2 1

10 9 8 7 6 5 4 3 2 1

SHOWN WITH OPTIONAL REFLECTOR
 SOLD SEPARATELY BY LEDIL @ www.ledil.com



ENTER DESCRIPTION EC NO: SSL2011-0080 DRAWN BY: JAKLIC 2011/05/05 CHKD: APPR:DMCGOWAN 2011/05/05 REV:	QUALITY SYMBOLS	GENERAL TOLERANCES (UNLESS SPECIFIED)		DIMENSION STYLE MM ONLY		SCALE 1:1	DESIGN UNITS METRIC	THIRD ANGLE PROJECTION	
	$\nabla = 0$	mm	INCH	DRAWN BY	DATE	TITLE BRIDGELUX RS LED HOLDER			
	$\nabla = 0$	4 PLACES \pm ---	\pm ---	CCARRANZA	2010/10/26				
	$\nabla = 0$	3 PLACES \pm ---	\pm ---	CHECKED BY	DATE	MATERIAL NO. SEE CHART			
$\nabla = 0$	2 PLACES ± 0.13	\pm ---	APPROVED BY	DATE					
	1 PLACE ± 0.25	\pm ---	DMCGOWAN	2010/12/23	DOCUMENT NO. SD-180180-000		SHEET NO. 4 OF 4		
DRAFT WHERE APPLICABLE MUST REMAIN WITHIN DIMENSIONS		ANGULAR $\pm 1/2^\circ$		MATERIAL NO.		THIS DRAWING CONTAINS INFORMATION THAT IS PROPRIETARY TO MOLEX INCORPORATED AND SHOULD NOT BE USED WITHOUT WRITTEN PERMISSION			

9 8 7 6 5 4 3 2 1