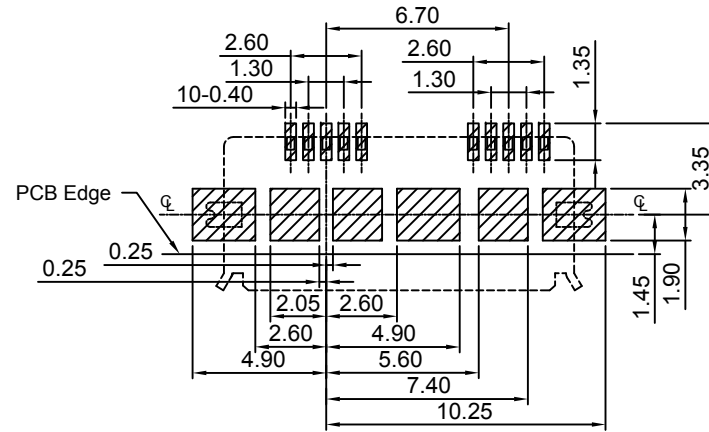
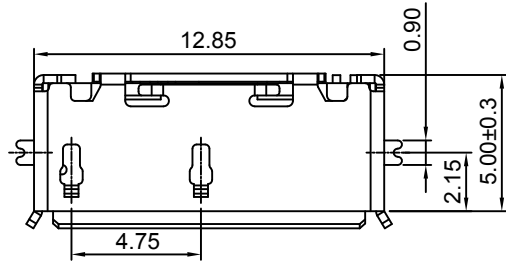


Designed to comply with physical, electrical and environmental requirements of micro USB Standard Compliance (USB3.0).

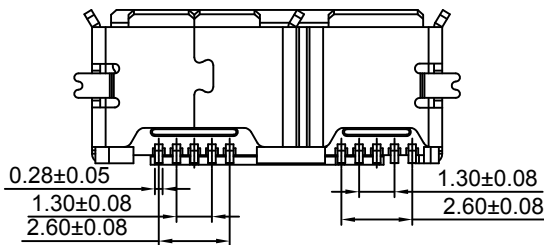
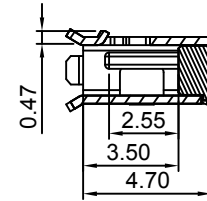
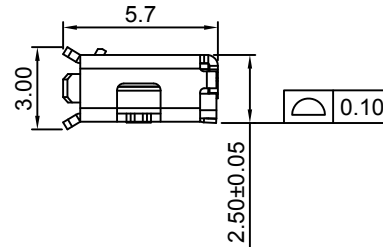
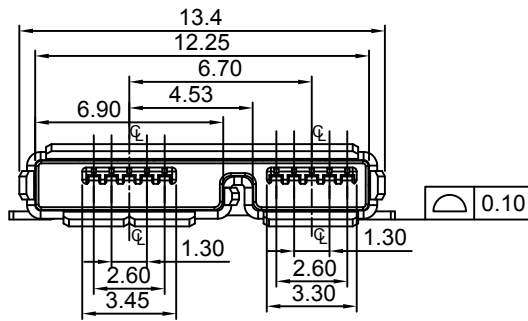
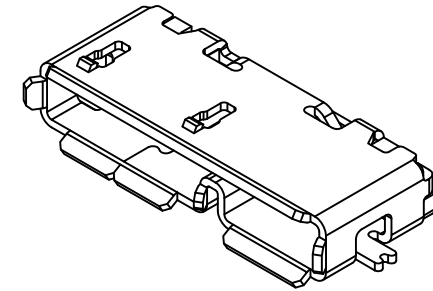


RECOMMENDED P.C.B LAYOUT

GENERAL TOLERANCE: ±0.05

AS VIEWED FROM COMPONENT SIDE

Solder Area
 Component Outline



Specifications 规格:

Materials 材料:

Plastic Housing 塑胶外壳: LCP, UL94V-0, Black, LCP, UL94V-0 黑色
 Contact Terminal 接触端子: Copper Alloy 铜合金
 Metallic Shell 金属外壳: Stainless Steel 不锈钢

Finish 表面处理:

Underplating 底层电镀: Nickel
 Plating 电镀:

Contact Area 接触面积: 30μ" Gold
 Solder Tails 焊接末端: Gold Flash B
 Metallic Shell 金属外壳: Tin

Electrical 电气规格:

Voltage Rating 电压额定值: 30 V AC
 Current Rating 电流额定值: 1.5A AC/DC
 Operating Temperature 工作温度: -20°C to +60°C
 Contact Resistance 接触电阻值: 30mΩ Max.
 Insulating Resistance 绝缘电阻值: 1000MΩ Min.
 Dielectric Withstand Voltage 耐电压: 750V AC/Minute

Mechanical 机械性规格:

Mating Force 插入力: 35N Max.
 Unmating Force 拔出力: 10N Min.
 Durability 耐久性: 10000

Ordering Grid
USB3125-30-A B **REQUEST SAMPLES AND QUOTATION**

Contact Plating
 30 = 30μ" Gold

Packing Options
 A = Tape & Reel
 (1.5K per Reel)

By	ASE	ASE
DETAIL	DRAWING RELEASE	PCN:- μUSB3.0-001
REV	A	B
DATE	16/05/11	01/02/12

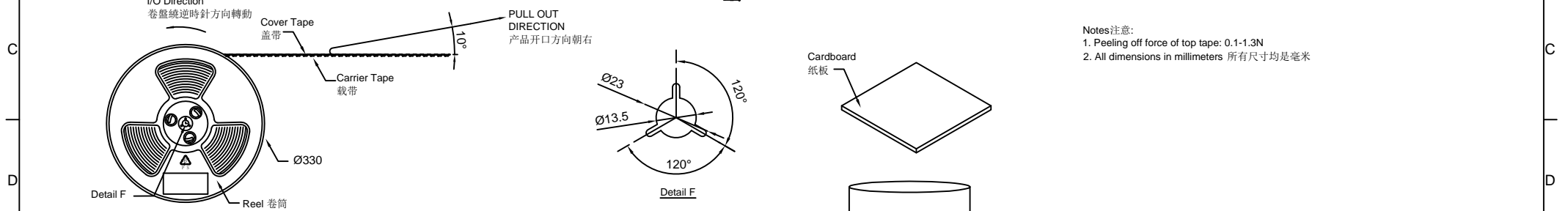
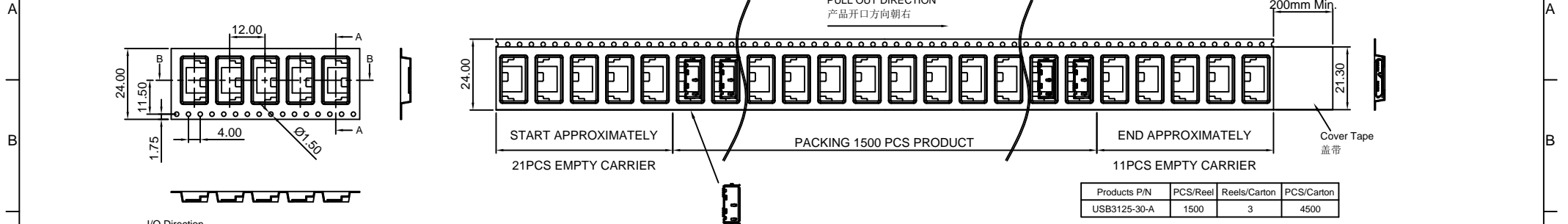


Tolerances (Except as noted)		Part Number:-	Date:-
Dimensions in mm		USB3125	16 MAY 11
X.X ± 0.3	X.X* ± 2°	Description:-	
X.XX ± 0.2	X.XX* ± 1°	USB 3.0 MICRO RECEPTACLE, TYPE AB, SMT, HORIZONTAL, 10 PIN, BOTTOM MOUNT, W/SMT HOLDDOWN PADS	
X.XXX ± 0.1	X.XXX* ± 0.5°	© THIS DRAWING IS CONFIDENTIAL AND MUST NOT BE COPIED OR DISCLOSED WITHOUT WRITTEN CONSENT	
Third Angle Projection		Scale	Revision
		NTS	B
		Material	Drawn by
		See Note	ASE
		E & OE	Sheet No.
			1/2

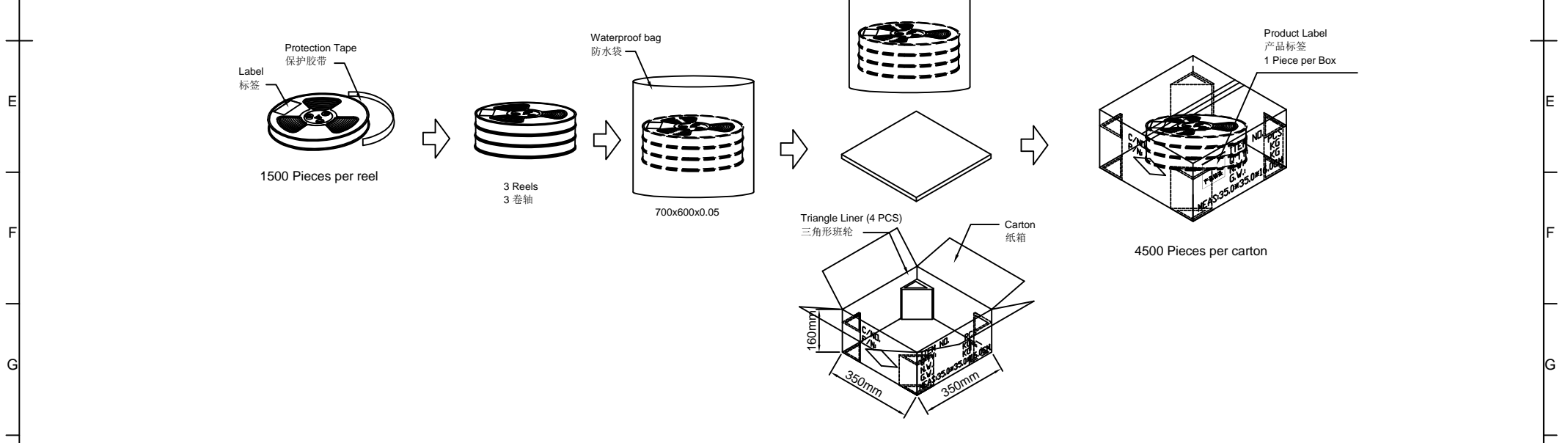
GCT

www.globalconnectortechology.com

Global Connector Technology Ltd. - USB3125: USB 3.0 Micro Receptacle, Type AB, SMT, Horizontal, 10 Pin, Bottom Mount, W/SMT Holddown Pads



Notes 注意:
 1. Peeling off force of top tape: 0.1-1.3N
 2. All dimensions in millimeters 所有尺寸均是毫米



By	ASE	ASE
DETAIL	DRAWING RELEASE	PCN:- µUSB3.0-001
REV	A	B
DATE	16/05/11	01/02/12



Tolerances (Except as noted)	Part Number:- USB3125	Date:- 16 MAY 11
Dimensions in mm	Description:- USB 3.0 MICRO RECEPTACLE, TYPE AB, SMT, HORIZONTAL, 10 PIN, BOTTOM MOUNT, W/SMT HOLDDOWN PADS	
X.X ± 0.3	X.X° ± 2°	© THIS DRAWING IS CONFIDENTIAL AND MUST NOT BE COPIED OR DISCLOSED WITHOUT WRITTEN CONSENT
X.XX ± 0.2	X.XX° ± 1°	
X.XXX ± 0.1	X.XXX° ± 0.5°	
Third Angle Projection	Scale NTS	

GCT

www.globalconnectortechology.com

Revision	Material	Drawn by	Sheet No.
B	See Note	ASE	2/2