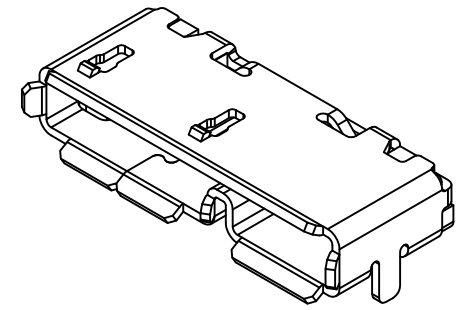
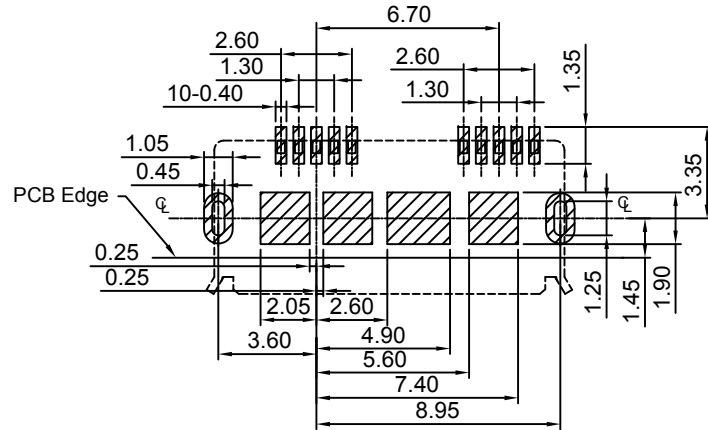
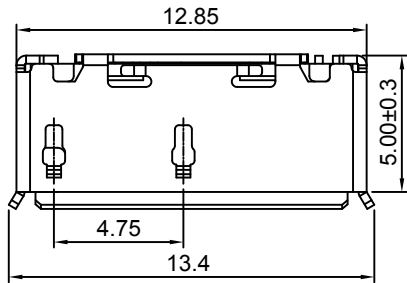


Designed to comply with physical, electrical and environmental requirements of micro USB Standard Compliance (USB3.0).

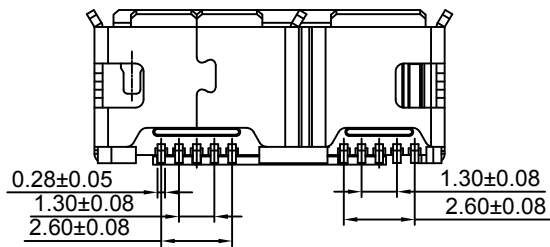
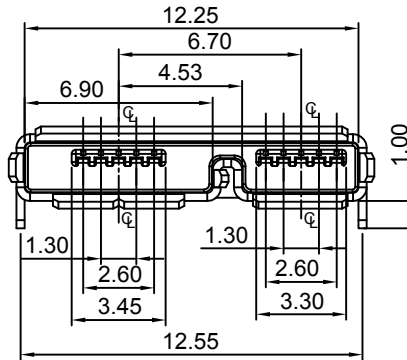
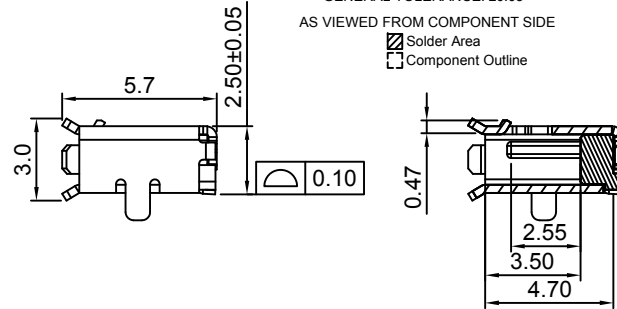


RECOMMENDED P.C.B LAYOUT

GENERAL TOLERANCE: ±0.05

AS VIEWED FROM COMPONENT SIDE

- Solder Area
- Component Outline



Specifications 规格:

Materials 材料:

- Plastic Housing 塑胶外壳: LCP, UL94V-0, Black, LCP, UL94V-0 黑色
- Contact Terminal 接触端子: Copper Alloy 铜合金
- Metallic Shell 金属外壳: Stainless Steel 不锈钢

Finish 表面处理:

- Underplating 底层电镀: Nickel
- Plating 电镀:
 - Contact Area 接触面积: 30µ" Gold
 - Solder Tails 焊接末端: Gold Flash
 - Metallic Shell 金属外壳: Tin

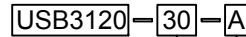
Electrical 电气规格:

- Voltage Rating 电压额定值: 30 V AC
- Current Rating 电流额定值: 1.5A AC/DC
- Operating Temperature 工作温度: -20°C to +60°C
- Contact Resistance 接触电阻值: 30mΩ Max.
- Insulating Resistance 绝缘电阻值: 1000MΩ Min.
- Dielectric Withstand Voltage 耐电压: 750V AC/Minute

Mechanical 机械性规格:

- Mating Force 插入力: 35N Max.
- Unmating Force 拔出力: 10N Min.
- Durability 耐久性: 10000

Ordering Grid



REQUEST SAMPLES AND QUOTATION

Contact Plating
30 = 30µ" Gold

Packing Options
A = Tape & Reel
(1K per Reel)



By	ASE	ASE
DETAIL	DRAWING RELEASE	PCN:- µUSB3.0-001
REV DATE	A 16/05/11	B 01/02/12

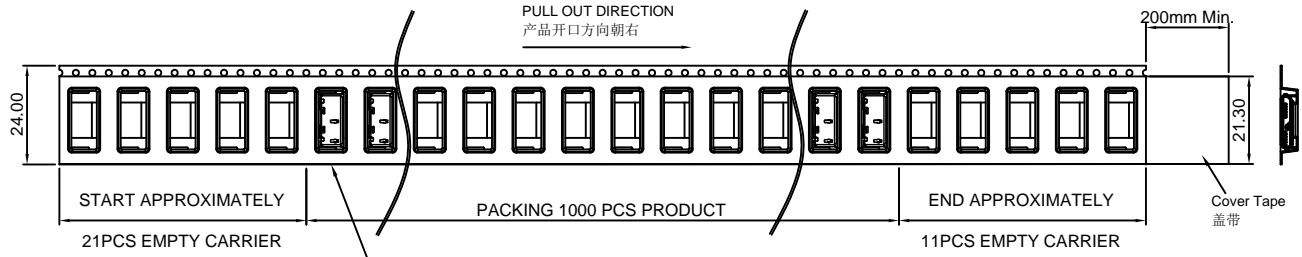
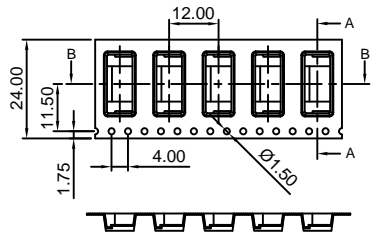


Tolerances (Except as noted)	
Dimensions in mm	
X.X ± 0.3	X.X* ± 2°
X.XX ± 0.2	X.XX* ± 1°
X.XXX ± 0.1	X.XXX* ± 0.5°
Third Angle Projection	

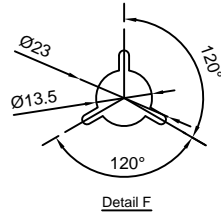
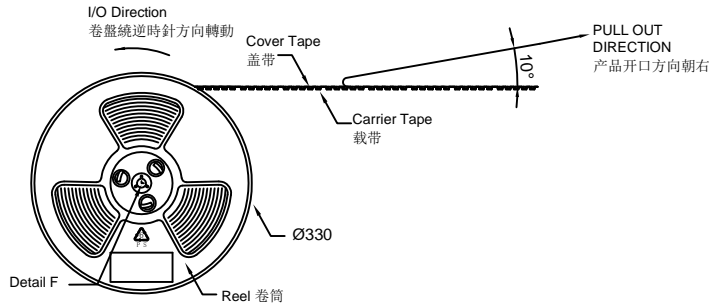
Part Number:-	USB3120	Date:-	16 MAY 11
Description:-	USB 3.0 MICRO RECEPTACLE, TYPE AB, SMT, HORIZONTAL, 10 PIN, BOTTOM MOUNT, W/OUTER SHELL STAKES		
THIS DRAWING IS CONFIDENTIAL AND MUST NOT BE COPIED OR DISCLOSED WITHOUT WRITTEN CONSENT			

GCT				
www.globalconnectortechonlogy.com				
Scale	Revision	Material	Drawn by	Sheet No.
NTS	B	See Note	ASE	E & OE 1/2

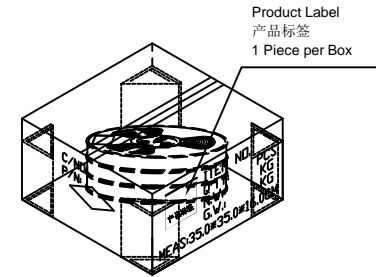
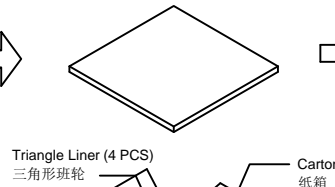
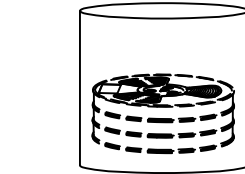
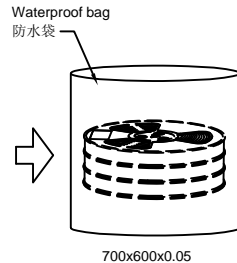
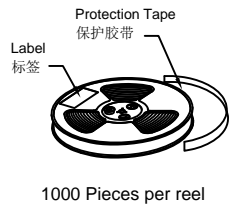
Global Connector Technology Ltd. - USB3120: USB 3.0 Micro Receptacle, Type AB, SMT, Horizontal, 10 Pin, Bottom Mount, W/Outer Shell Stakes



Products P/N	PCS/Reel	Reels/Carton	PCS/Carton
USB3120-30-A	1000	3	3000



- Notes 注意:
1. Peeling off force of top tape: 0.1-1.3N
 2. All dimensions in millimeters 所有尺寸均是毫米



3000 Pieces per carton

By	ASE	ASE
DETAIL	DRAWING RELEASE	PCN: μUSB3.0-001
REV DATE	A 16/05/11	B 01/02/12



Tolerances (Except as noted)		Part Number:-	Date:-
Dimensions in mm		USB3120	16 MAY 11
X.X ± 0.3	X.X° ± 2°	Description:-	
X.XX ± 0.2	X.XX° ± 1°	USB 3.0 MICRO RECEPTACLE, TYPE AB, SMT, HORIZONTAL, 10 PIN, BOTTOM MOUNT, W/OUTER SHELL STAKES	
X.XXX ± 0.1	X.XXX° ± 0.5°	© THIS DRAWING IS CONFIDENTIAL AND MUST NOT BE COPIED OR DISCLOSED WITHOUT WRITTEN CONSENT	
Third Angle Projection		Scale NTS	Revision B

GCT

www.globalconnectortechnology.com

Material See Note	Drawn by ASE	E & OE	Sheet No. 2/2