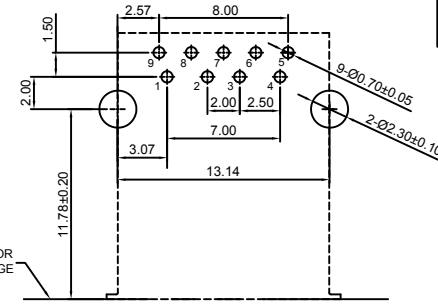
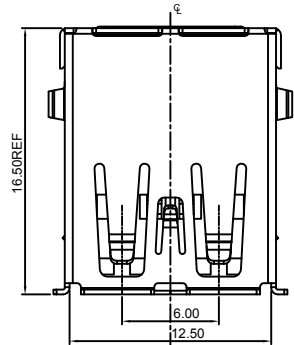
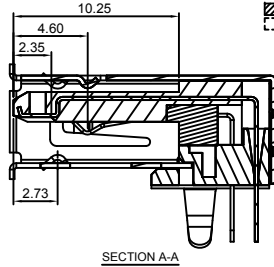
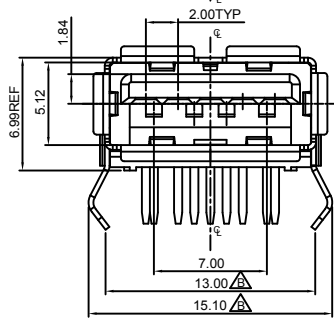
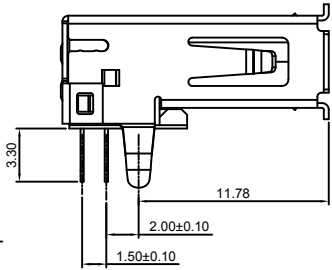
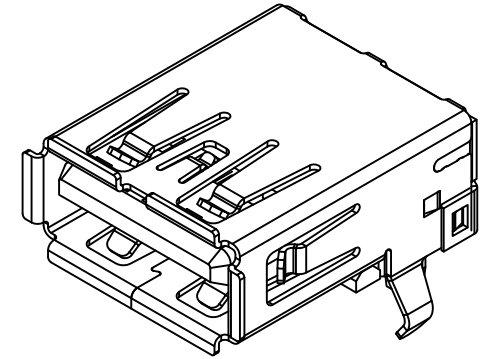


Global Connector Technology Ltd. - USB1075: USB 3.0 Receptacle, Type A, Through Hole, Horizontal, 9 Pin, Top Mount, W/Kinked Shell Stakes

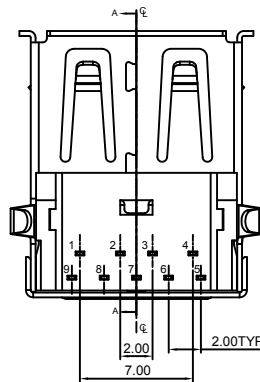
Designed to comply with physical, electrical and environmental requirements of full size USB Standard Compliance (USB3.0).



RECOMMENDED P.C.B LAYOUT
AS VIEWED FROM COMPONENT SIDE
Legend:
■ Solder Area
□ Component Outline



SECTION A-A



Specifications 规格:

Materials 材料:

Plastic Housing 塑胶外壳: PBT, UL94V-0, Blue
Contact Terminal 接触端子: Copper Alloy 铜合金
Metallic Shell 金属外壳: Copper Alloy

Finish 表面处理:

Underplating 底层电镀: Nickel
Plating 电镀:
Contact Area 接触面积: 30µ" Gold
Solder Tails 焊接末端: 100µ" Min. Tin
Metallic Shell 金属外壳: Nickel

Electrical 电气规格:

Voltage Rating 电压额定值: 30 V AC
Current Rating 电流额定值: 1.8A AC/DC
Operating Temperature 工作温度: -20°C to +80°C
Contact Resistance 接触电阻值: 30mΩ Max.
Insulating Resistance 绝缘电阻值: 500MΩ Min.
Dielectric Withstand Voltage 耐电压: 500V AC/Minute

Mechanical 机械性规格:

Mating Force 插入力: 35N Max.
Unmating Force 拔出力: 10N Min.
Durability 耐久性: 5000

Ordering Grid
USB1075-30-P-B REQUEST SAMPLES AND QUOTATION

Contact Plating
30 = 30µ" Gold

Packing Options
B = Tray
(100 per tray)

Insulator Material
P = PBT

By	ASE	ASE
DETAIL	DRAWING RELEASE	ECN USB1075-001
REV	A	B
DATE	16/05/11	25/01/12



Tolerances (Except as noted)		Part Number:-	Date:-
Dimensions in mm		USB1075	16 MAY 11
X.X ± 0.4	X.X° ± 2°	Description:-	
X.XX ± 0.25	X.XX° ± 1°	USB 3.0 RECEPTACLE, TYPE A, THROUGH HOLE, HORIZONTAL, 9 PIN, TOP MOUNT, W/KINKED SHELL STAKES	
X.XXX ± 0.05	X.XXX° ± 0.5°	© THIS DRAWING IS CONFIDENTIAL AND MUST NOT BE COPIED OR DISCLOSED WITHOUT WRITTEN CONSENT	
Third Angle Projection		Scale	Revision
		NTS	B
		Material See Note	Drawn by ASE
		E & OE	Sheet No. 1/1

GCT

www.globalconnectortechonology.com