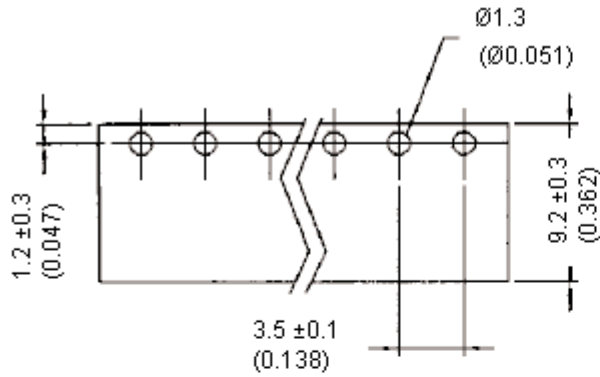


PART NO.

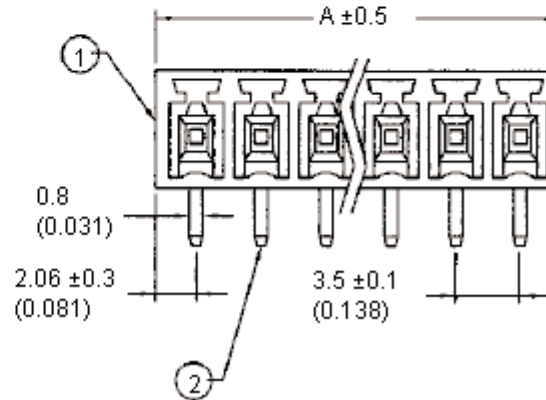
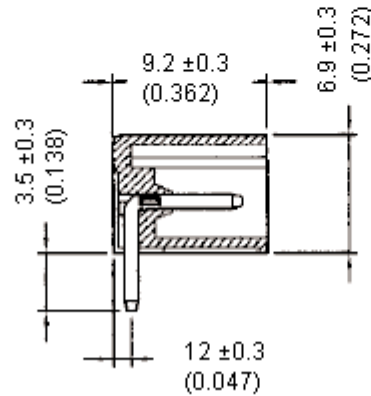
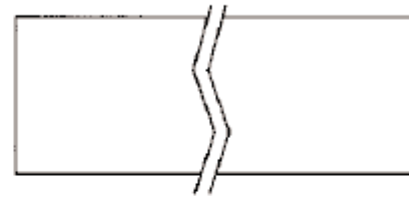
MC0000 - Series

REVISIONS

ECN #	REV	DESCRIPTION	DRAWN	DATE	CHECKD	DATE	APPRVD	DATE
-	A	RELEASED	Shashi	13/10/11	Veena	13/10/11		27/10/11



PCB Layout



Dimensions : Millimetres (Inches)

Specifications:

Rating current	: 12 amperes, 150 V ac
Minimum insulation withstand voltage	: 2,000 V ac
Insulation resistance	: > 2,000 MΩ 500 V dc
Operating temperature	: -40°C to +105°C

Important Notice : This data sheet and its contents (the "Information") belong to the members of the Premier Farnell group of companies (the "Group") or are licensed to it. No licence is granted for the use of it other than for information purposes in connection with the products to which it relates. No licence of any intellectual property rights is granted. The Information is subject to change without notice and replaces all data sheets previously supplied. The Information supplied is believed to be accurate but the Group assumes no responsibility for its accuracy or completeness, any error in or omission from it or for any use made of it. Users of this data sheet should check for themselves the information and the suitability of the products for their purpose and not make any assumptions based on information included or omitted. Liability for loss or damage resulting from any reliance on the Information or use of it (including liability resulting from negligence or where the Group was aware of the possibility of such loss or damage arising) is excluded. This will not operate to limit or restrict the Group's liability for death or personal injury resulting from its negligence. Multicomp is the registered trademark of the Group. © Premier Farnell plc 2011.

TOLERANCES:

UNLESS OTHERWISE SPECIFIED, DIMENSIONS ARE FOR REFERENCE PURPOSES ONLY.

DRAWN BY:	DATE:
Shashi	13/10/11
CHECKED BY:	DATE:
Veena	13/10/11
APPROVED BY:	DATE:
	27/10/11

DRAWING TITLE:

3.5 mm Pluggable - Right Angle Header

SIZE	DWG NO.	ELECTRONIC FILE	REV
A	M10002734	ME030-350xx_DWG	A
SCALE: NTS	U.O.M.: mm (Inches)	SHEET: 1 OF 2	



PART NO.

MC0000 - Series

REVISIONS

ECN #	REV	DESCRIPTION	DRAWN	DATE	CHECKD	DATE	APPRVD	DATE
-	A	RELEASED	Shashi	13/10/11	Veena	13/10/11		27/10/11

Specification Table

Item No	Material		Plating / Finish	Remark
1	Insulating Body	Polyamide 66	-	Green
2	Solder Pin	Brass	Tin Plated	-

Dimensions Table

Pitch : 3.5 mm (0.138 inch)		
Poles	A (mm)	A (Inch)
2	7.6	0.299
3	11.1	0.437
4	14.6	0.575
5	18.1	0.713
6	21.6	0.85
8	28.6	1.126
10	35.6	1.402
12	42.6	1.677

Part Number Table

Description	Part Number
Header 3.5 mm Right Angle 12A 02 Way	MC000088
Header 3.5 mm Right Angle 12A 03 Way	MC000089
Header 3.5 mm Right Angle 12A 04 Way	MC000090
Header 3.5 mm Right Angle 12A 05 Way	MC000091
Header 3.5 mm Right Angle 12A 06 Way	MC000092
Header 3.5 mm Right Angle 12A 08 Way	MC000093
Header 3.5 mm Right Angle 12A 10 Way	MC000094
Header 3.5 mm Right Angle 12A 12 Way	MC000095

www.element14.com
www.farnell.com
www.newark.com

Important Notice : This data sheet and its contents (the "Information") belong to the members of the Premier Farnell group of companies (the "Group") or are licensed to it. No licence is granted for the use of it other than for information purposes in connection with the products to which it relates. No licence of any intellectual property rights is granted. The Information is subject to change without notice and replaces all data sheets previously supplied. The Information supplied is believed to be accurate but the Group assumes no responsibility for its accuracy or completeness, any error in or omission from it or for any use made of it. Users of this data sheet should check for themselves the Information and the suitability of the products for their purpose and not make any assumptions based on information included or omitted. Liability for loss or damage resulting from any reliance on the Information or use of it (including liability resulting from negligence or where the Group was aware of the possibility of such loss or damage arising) is excluded. This will not operate to limit or restrict the Group's liability for death or personal injury resulting from its negligence. Multicomp is the registered trademark of the Group. © Premier Farnell plc 2011.

TOLERANCES: UNLESS OTHERWISE SPECIFIED, DIMENSIONS ARE FOR REFERENCE PURPOSES ONLY.	DRAWN BY:	DATE:	DRAWING TITLE: 3.5 mm Pluggable - Right Angle Header			
	Shashi	13/10/11				
	CHECKED BY:	DATE:	SIZE A	DWG NO. M10002734	ELECTRONIC FILE ME030-350xx_DWG	REV A
	Veena	13/10/11				
	APPROVED BY:	DATE:	SCALE: NTS		U.O.M.: mm (Inches)	
	27/10/11					