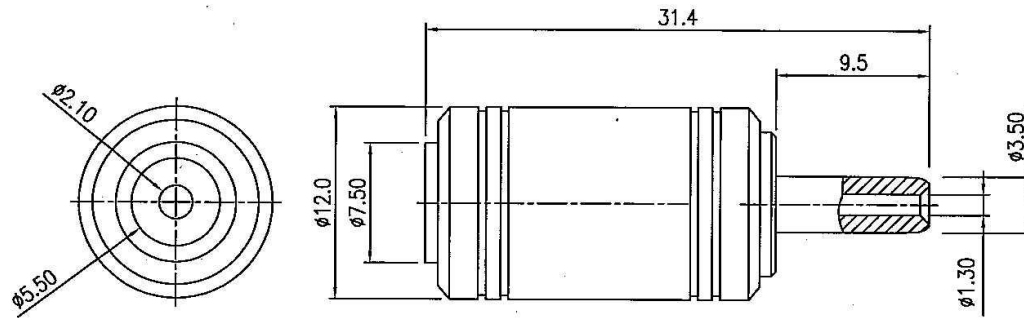


CUSTOMER	FILE NO.	THIS DRAWING AND SPECIFICATIONS HEREIN ARE THE CONFIDENTIAL PROPERTY OF SAMAR AND SHALL NOT BE REPRODUCED OR COPIED OR DISCLOSED IN WHOLE OR IN PART WITHOUT WRITTEN PERMISSION.	REV.	DESCRIPTION	DRAWN / DATE	APPROVED / DATE
			0	INITIAL RELEASE	FROS 09/22/2011	FROS 09/22/2011



SPECIFICATION:  
 DC POWER ADAPTOR I.D. 1.3 mm DC PLUG TO  
 I.D. 2.1mm DC JACK MOLDED HANDLE

DIMENSIONS ARE IN mm [INCH]	TOLERANCES ARE FRACTIONS DECIMALS ANGLES	MATERIAL	P/N C3508 WWW.POWERPAX.CO.UK	DRAWN FROS	DATE 09/22/2011
MOLD NO.	.x ±0.2 [0.008] .xx ±0.12 [0.005]	FINISH	PROJECT NO.		
		COLOR	SCALE 2.5:1	SIZE A4	SHEET 1 OF 1
DC POWER ADAPTOR					MS062