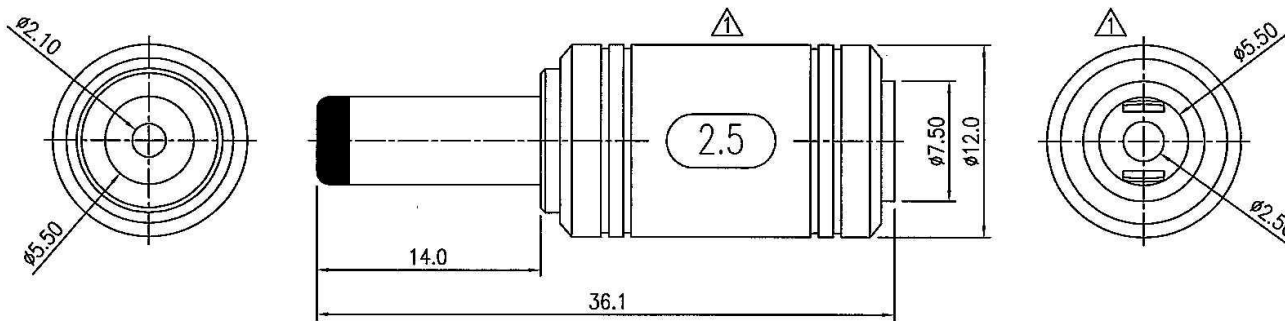


CUSTOMER _____ FILE NO. _____

THIS DRAWING AND SPECIFICATIONS, HEREIN ARE THE CONFIDENTIAL PROPERTY OF SAMAR AND SHALL NOT BE REPRODUCED OR COPIED OR DISCLOSED IN WHOLE OR IN PART WITHOUT WRITTEN PERMISSION.

| REV. | DESCRIPTION | DRAWN / DATE | APPROVED / DATE |
|------|--|-----------------|-----------------|
| 0 | INITIAL RELEASE | YANG 06/18/2009 | LIN 06/18/2009 |
| 1 | Revise the direction of carving characters | YANG 12/30/2009 | |



SPECIFICATION:
 DC POWER ADAPTOR I.D. 2.1 mm DC PLUG TO
 I.D. 2.5mm DC JACK MOLDED HANDLE

| | | | | | |
|--------------------------------|---|------------------|------------------------------|------------|-----------------|
| DIMENSIONS ARE IN mm [INCH] | TOLERANCES ARE FRACTIONS DECIMALS ANGLES | MATERIAL | P/N C4074 WWW.POWERPAX.CO.UK | DRAWN YANG | DATE 06/18/2009 |
| MOLD NO. | .x ±0.2 [0.008] .xx ±0.12 [0.005] | FINISH | PROJECT NO. | | |
| | COLOR | DC POWER ADAPTOR | SCALE 2.5:1 | SIZE A4 | SHEET 1 OF 1 |
| | | | | | MS062 |