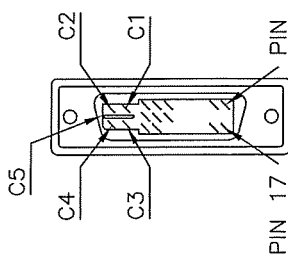


ALL MATERIAL ARE RoHS AND CALIFORNIA PROP.65 COMPLIANT



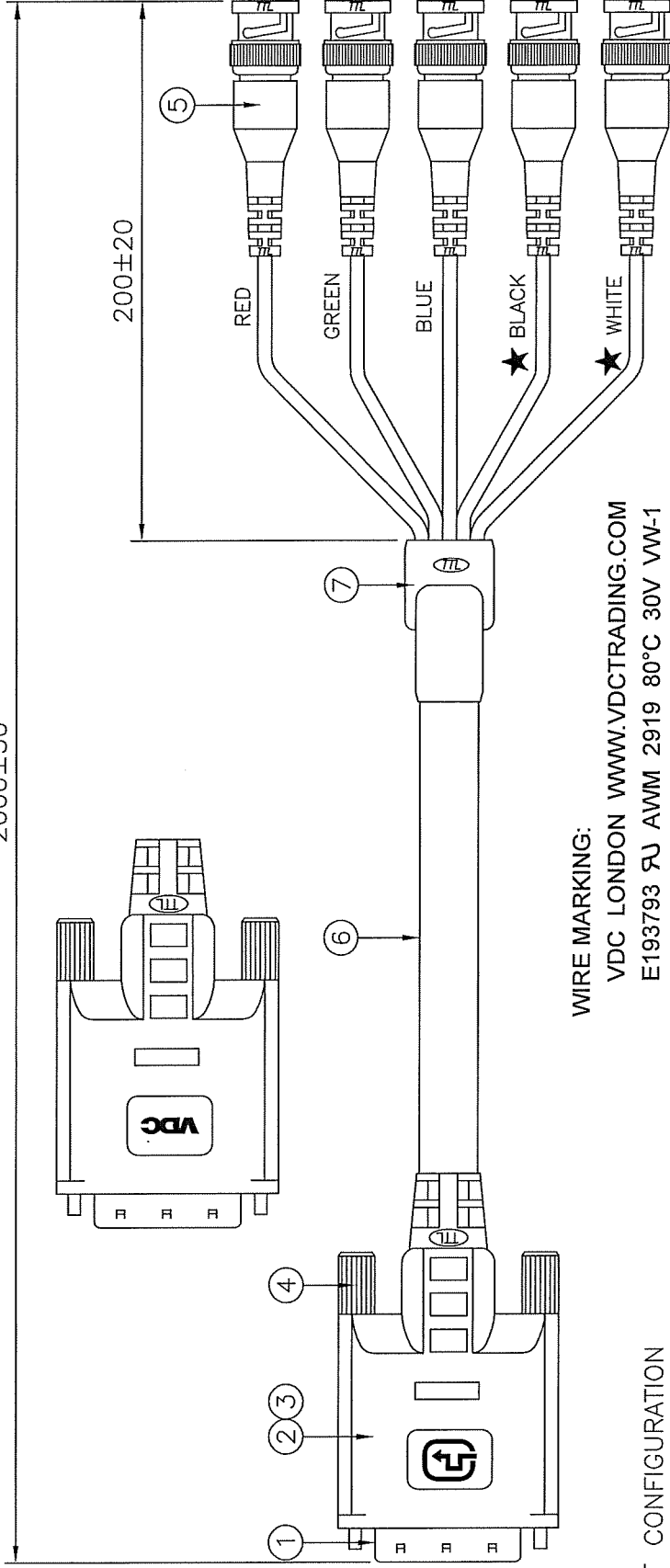
Farnell Code 1956287



PIN 17 / PIN 1

CUSTOMER'S APPROVAL: _____ DATE: _____
 FIRST ARTICLE SAMPLE REQUIRED: YES, NO.

2000±50



WIRE MARKING:

VDC LONDON WWW.VDCTRADING.COM
 E193793 RJ AWM 2919 80°C 30V VW-1

PINOUT CONFIGURATION

DVI/M	BNC/M
C1 _____	CENTER
C2 _____	CENTER
C3 _____	CENTER
C4 _____	CENTER
8 _____	CENTER
C5 _____	RED/GREEN/BLUE/BLACK/WHITE
_____	SHELL

UNIT: mm

ITEM	DESCRIPTION	QTY.	UNIT
1	DVI MALE CONNECTOR (12+5)	1	PCS.
2	BLACK MOLDED PVC HOOD W/VDC LOGO	1	PCS.
3	PAT. US 6,287,148 B1 RF-BLOK™ SHIELDING METAL CAN	1	PCS.
4	BLACK #4/40 THUMBSCREW	2	PCS.
5	BNC MALE CONNECTOR W/BLACK PVC HOOD	5	PCS.
6	UL2919 [28AWG COAX(AB)]x5C+PAPER; BLACK PVC JACKET	SEE	DWG.
7	BLACK MOLDED PVC S.R.	1	PCS.

*