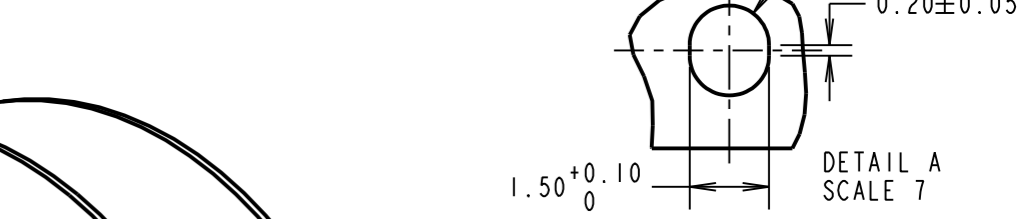
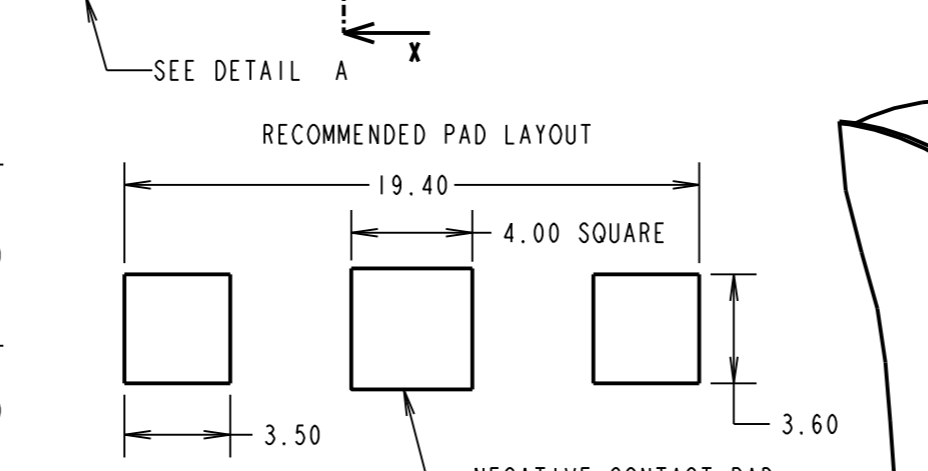
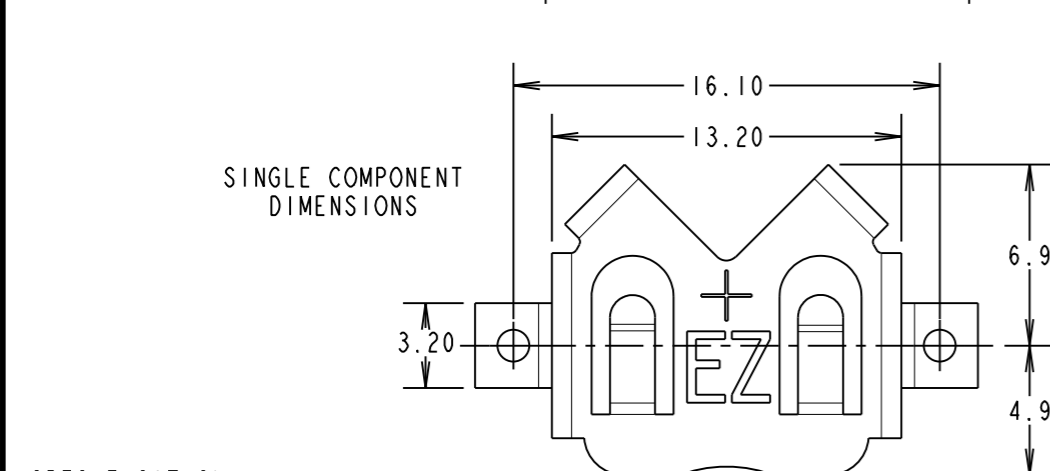
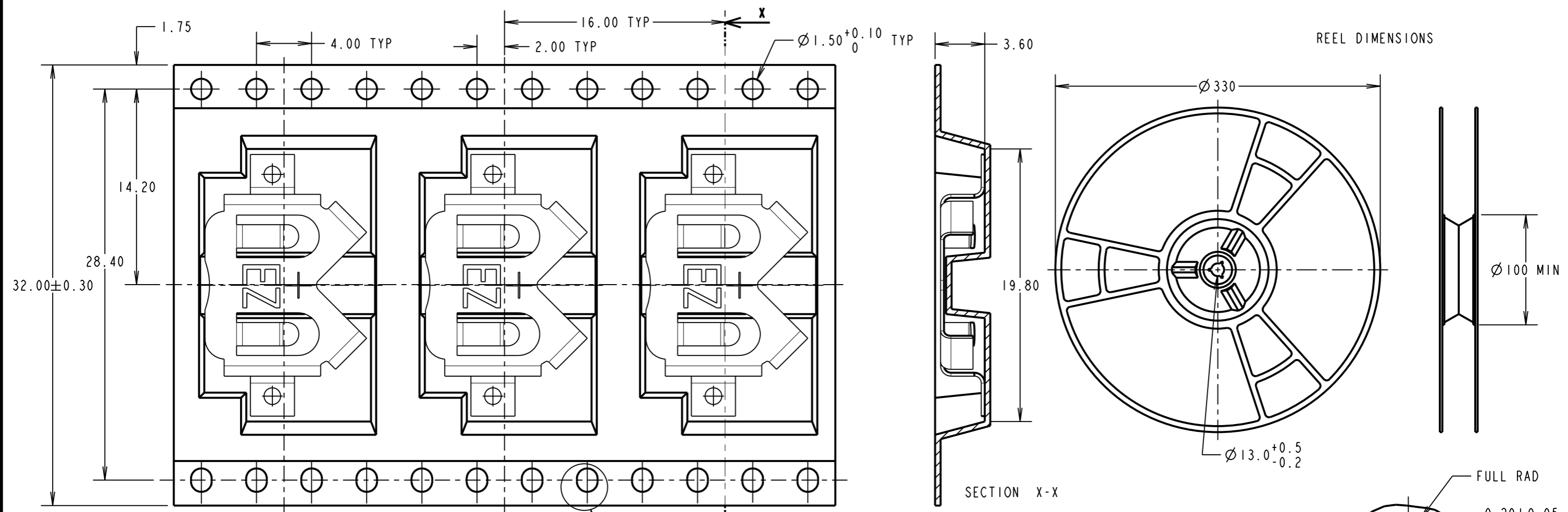
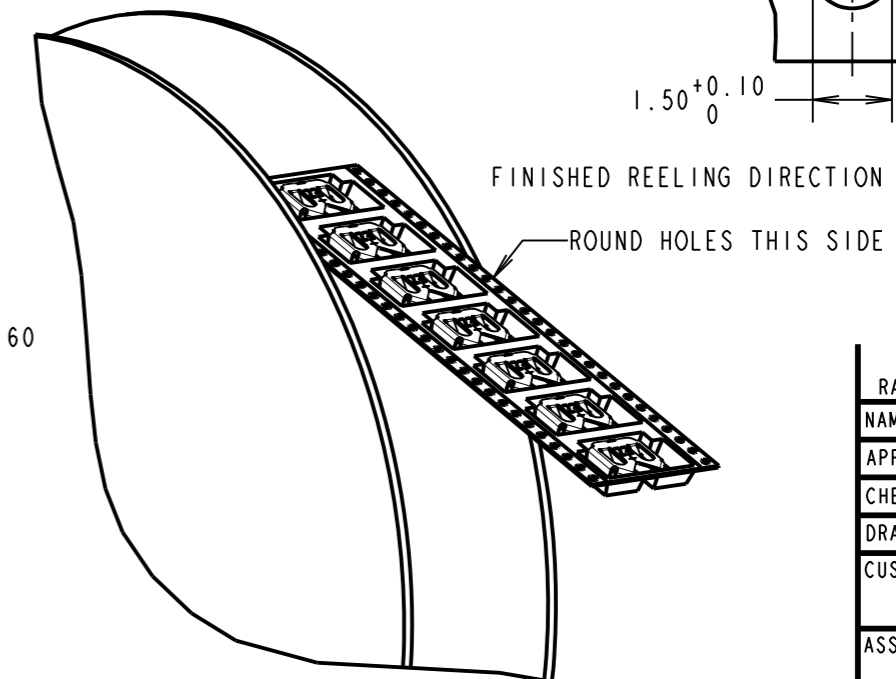
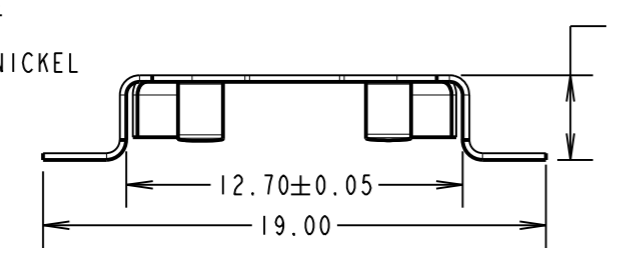


Customer Information Sheet

DRAWING No.: S8201-XXR SHEET 2 OF 2 IF IN DOUBT - ASK © NOT TO SCALE THIRD ANGLE PROJECTION ALL DIMENSIONS IN mm



SPECIFICATION:
 MATERIAL = PHOSPHOR BRONZE
 FINISH:
 46 = 3µ 100% TIN, OVER NICKEL



RA	D	04.08.11	11398
NAME	ISS.	DATE	C/NOTE
APPROVED:		R. ADDE	
CHECKED:		S. FLOWER	
DRAWN:		R. ADDE	
CUSTOMER REF.:			
ASSEMBLY DRG.:			

- NOTES:
1. QUANTITY PER REEL = 1000
 2. THIS PRODUCT IS TAPED AND REELED IN ACCORDANCE WITH EIA-481-2-A (ELECTRONIC INDUSTRIES ASSOCIATION).
 3. THIS PRODUCT IS SUITABLE FOR THE FOLLOWING BATTERIES: CR1225, BRI225.

HARWIN			THIS DRAWING AND ANY INFORMATION OR DESCRIPTIVE MATTER SET OUT HEREON ARE CONFIDENTIAL AND COPYRIGHT PROPERTY OF THE HARWIN GROUP AND MUST NOT BE DISCLOSED, LOANED, COPIED OR USED FOR MANUFACTURING, TENDERING OR FOR ANY OTHER PURPOSE WITHOUT THEIR WRITTEN PERMISSION.	TOLERANCES X. = ±1mm X.X = ±0.25mm X.XX = ±0.10mm X.XXX = ±0.01mm ANGLES = ±5° UNLESS STATED	MATERIAL: SEE ABOVE FINISH: SEE ABOVE S/AREA: mm ²	TITLE: COIN CELL RETAINER (TAPE & REELED) DRAWING NUMBER: S8201-XXR	SHT 2 OF 2
HARWIN USA TEL: 603 893 5376 FAX: 603 893 5396 mis@harwin.com	HARWIN Europe (UK) TEL: 023 9231 4545 FAX: 023 9231 4590 mis@harwin.co.uk	HARWIN Asia TEL: +65 6 779 4909 FAX: +65 6 779 3868 mis@harwin.com.sg		RA D 04.08.11 11398 NAME ISS. DATE C/NOTE APPROVED: R. ADDE CHECKED: S. FLOWER DRAWN: R. ADDE CUSTOMER REF.: ASSEMBLY DRG.:			