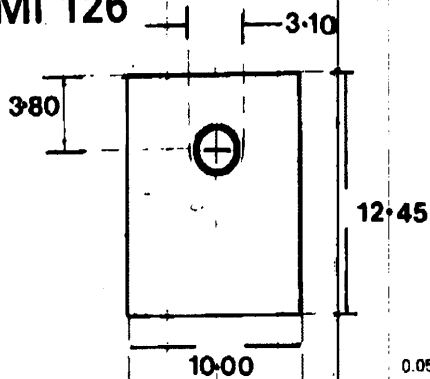


## **Farnell InOne 520214 = MEC MK3306 (kit)**

The kit consists of two parts:-

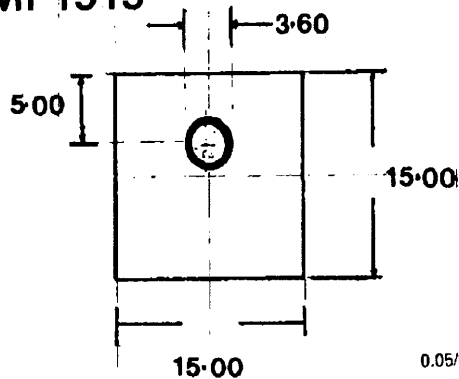
- 1 31-35-25GF (bush)
- 2 MI 1915

MI 126



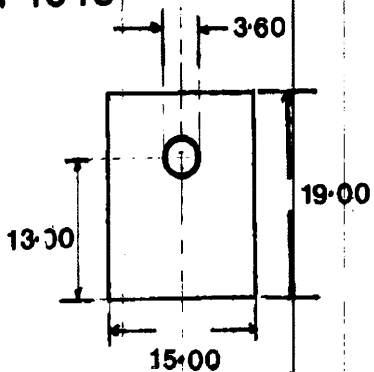
0.05/0.10 thick

MI 1515



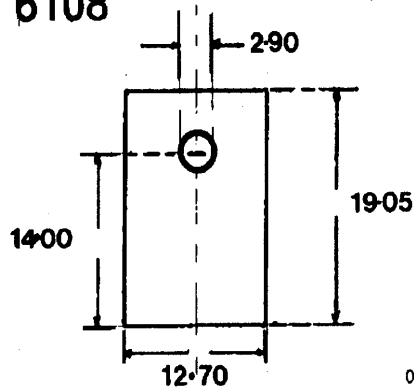
0.05/0.10 thick

MI 1915



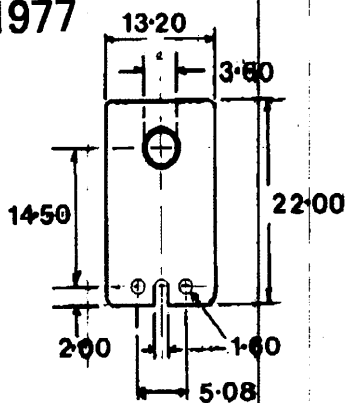
0.05/0.10 thick

MI 6108



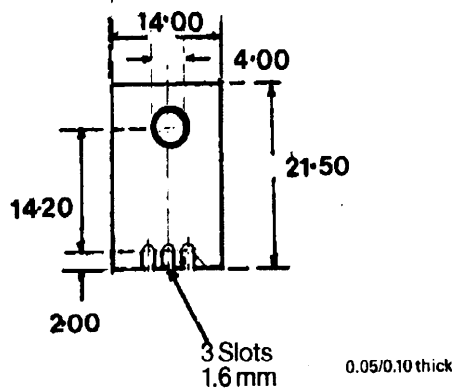
0.05-0.10 thick

MI 1977



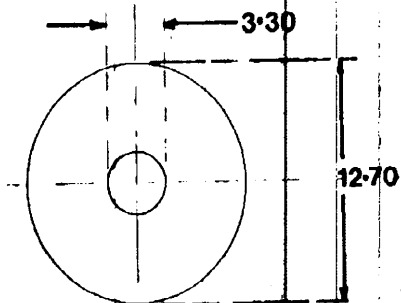
0.05/0.10 thick

MI1977S



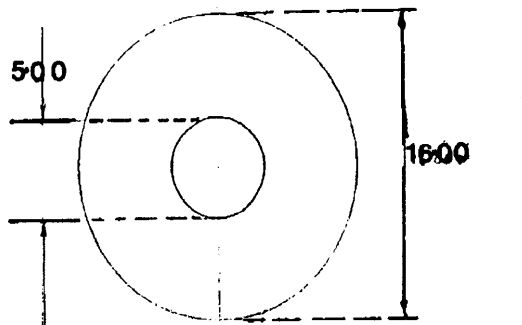
0.05/0.10 thick

MI 5812



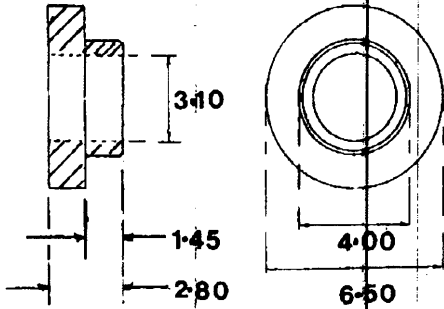
0.03/0.08 thick

MI 3024

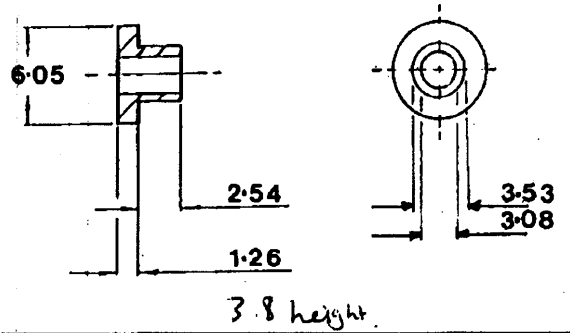


0.05/0.10 thick

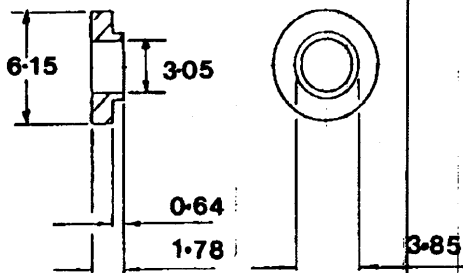
### 31-40-14 GF



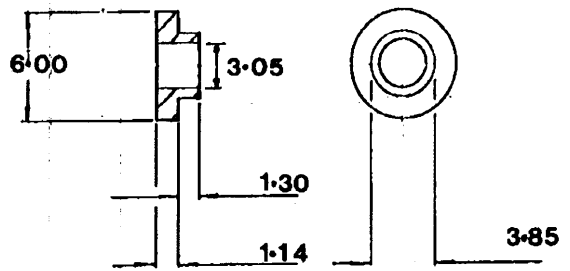
### 31-35-25 GF



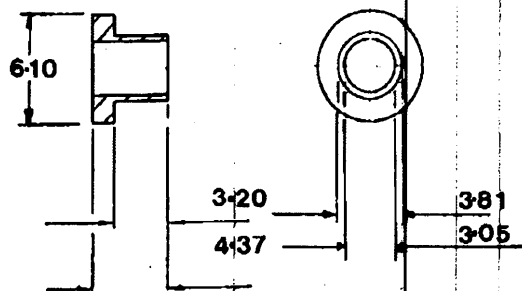
### 3-38-05 GF.PPS



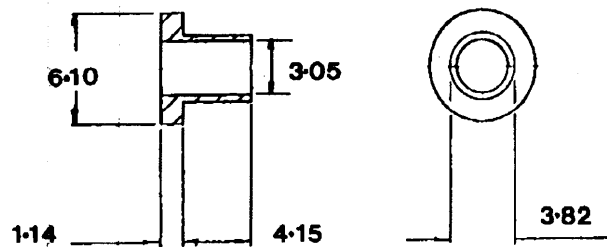
### 3-38-13 GF



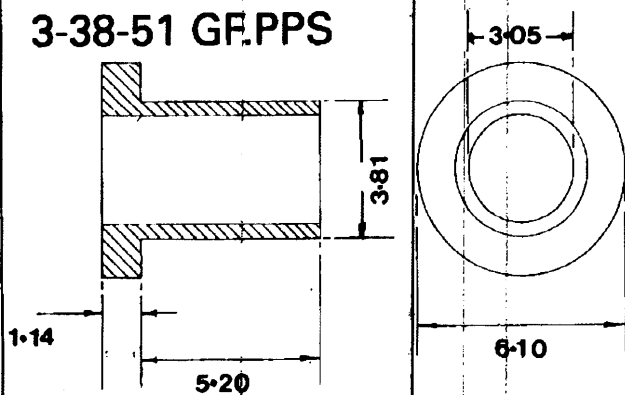
### 3-38-32 GF.PPS



### 3-38-39 GF.PPS



### 3-38-51 GF.PPS



### 3-38-80 GF

