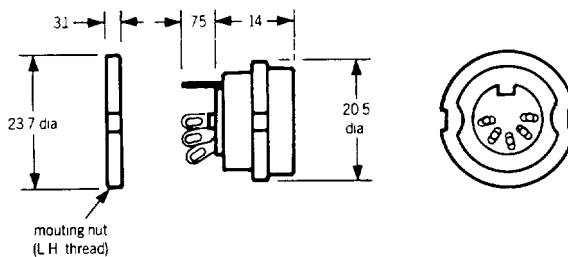


309.047

18 SOCKETS

SINGLE NUT MOUNTING SOCKET



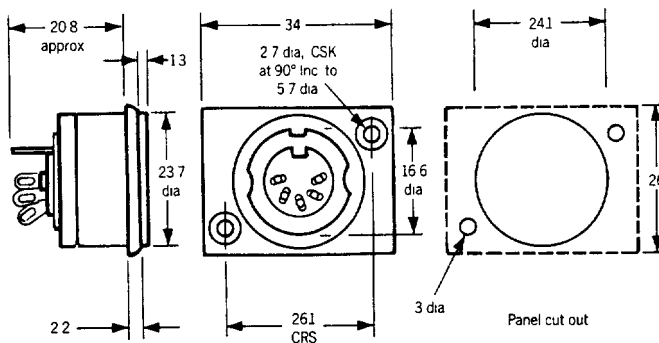
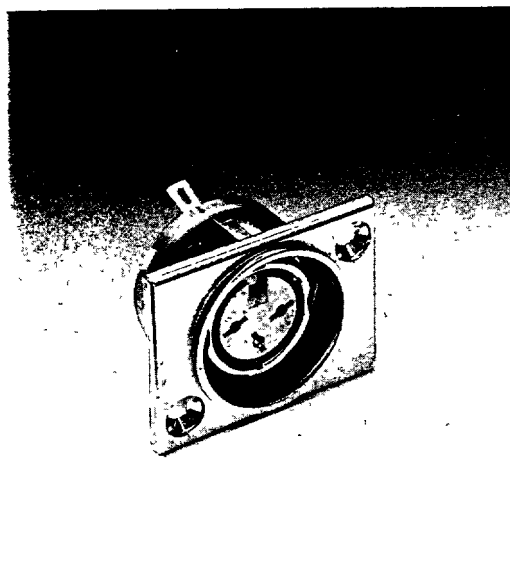
Materials
 Fixing nut Aluminium, anodised

Contact termination Solder lugs
 max conductor dia
 0.9 or 16/0.2mm

Part No L1904C/□/CSN

□ No of contacts

FLUSH MOUNTING SOCKET



Contact termination Solder lugs
 max conductor dia.
 0.9 or 16/0.2mm

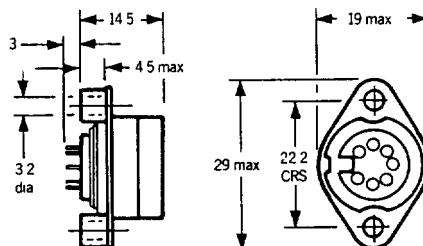
Part No L1904C/□/CSF

□ No of contacts

PRINTED CIRCUIT SOCKET



Direct PCB Mounting



Materials
 Spacers (supplied loose) Aluminium alloy

Contact termination Dip solder

Part No L1904C/□/PCS

□ No of contacts (available in 5,6,7 and 8 way only)