

10112684 - X XX-YY Z LF

INDICATES THAT PRODUCT IS RoHS COMPATIBLE, SEE NOTE 3

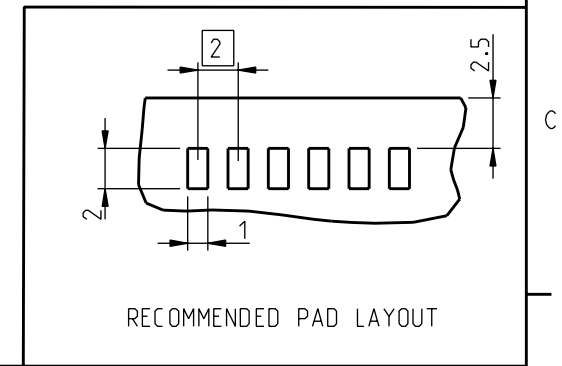
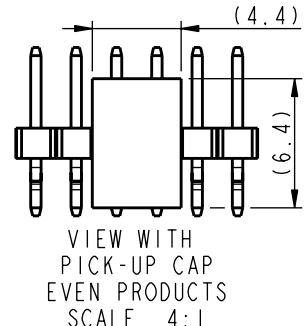
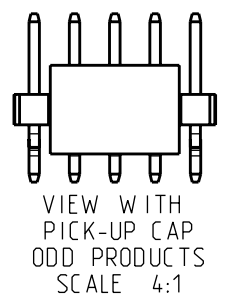
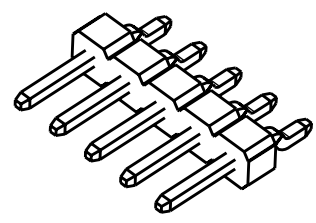
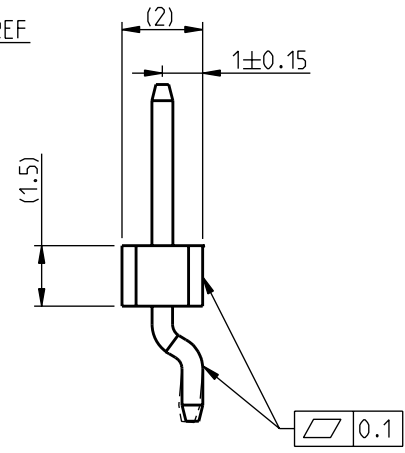
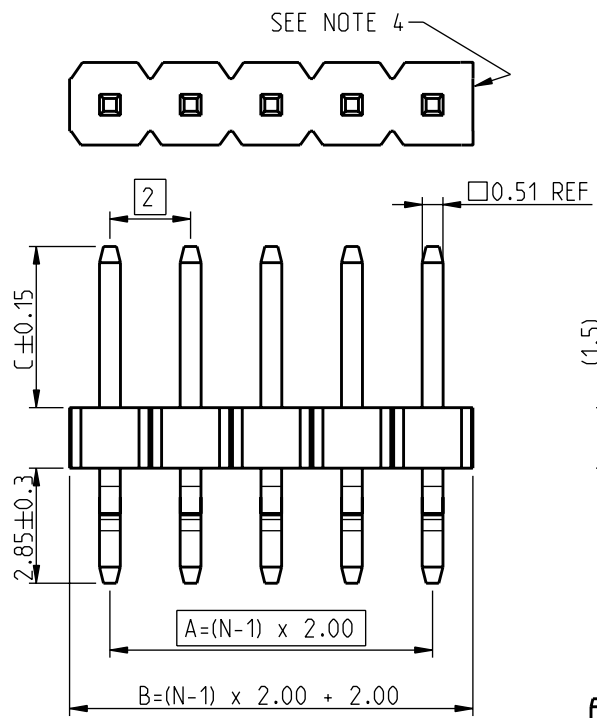
PACKAGING :

- A = Tape and reel with Pick-up cap. See GS-14-1516 As available
- U = Tube without Pick-up cap. Only for contacts qty from 4 to 25. See GS-14-1551
- Blank = Bli box for contacts qty 2 and 3 See note 5

CONTACTS QTY : 02 to 25 = N

XX	01	02	03
DIM C POST LENGH	3.2	2.0	4.0

PLATING : G= 0.76 μ Gold/GXT on mating area  
 2-6 μ Pure Tin on solder area  
 F= Gold flash on mating area  
 2-6 μ pure Tin on solder area  
 T= 2-6 μ pure Tin on mating area  
 2-6 μ pure Tin on solder area  
 All with 1.27 Ni underplating



- NOTES :
- 1- MATERIALS :  
 BODY : High Temp thermoplastic 30% GF, COLOR BLACK UL94 V-0  
 PIN : COPPER ALLOY
  - 2- 7N MIN PIN RETENTION IN EITHER DIRECTION
  - 3- RoHS COMPATIBLE PRODUCT SPECIFICATION :  
 a- PLATING : LF means the product is Lead Free.  
 2 μ MIN matte Tin over 1.27 μ Nickel underplating.  
 b- MANUFACTURING PRODUCT SPECIFICATION :  
 Housing will withstand exposure to 260 °C peak temperature for 30 secondes in a convection infra-red or vapor phase oven.
  - 4- ONE TIP OF BODY MIGHT BE WITHOUT INDENTS AS PER EXTREMITY OF MOLDED BODY.
  - 5- MINIMUM QUANTITY IN BLI BOX : 500

Mark with

rev	ecn no	dr	date
A	F10-0082	LSA	10/07/30
B	F10-0227	APA	10/10/01
C	F10-0238	APA	10/10/21
-	-	-	-
-	-	-	-
-	-	-	-

www.fciconnect.com		surface - <input checked="" type="checkbox"/> ISO 1302	tolerance std - <input checked="" type="checkbox"/> ISO 406 ISO 1101	projection	mm
TOLERANCES UNLESS OTHERWISE SPECIFIED					
Dr	L. SAILLARD	10/02/04	ANGULAR	0.x ±/	size A3
Eng	L. SAILLARD	10/02/04	LINEAR	0.xx ±/	Scale 8:1
Chr	JM COMPAGNON	10/02/04	0° ±/°	0.xxx ±/	ECN F10-0238
Appr	/	/	Product family	-	Spec ref GS-12-652
			title SINGLE ROW ASSEMBLY		Rev. C
			MINITEK HEADER SMT R/A		10112684
			catalog no		CUSTOMER sheet 1 of 1

Copyright FCI. FCI

REV E - 2006-03-28