

**NEW**

# OMNIMATE HOUSINGS CH20M

## The Modular Electronics Housing System

### Error Proof Operation

- Multiple labeling options and the unique "Autoset" keying eliminate the possibility of mis-mating plug connections



### Safety Built In

- Touch proof connections on both the plug and receptacle sides



### Front Cover

- Transparent to allow easy monitoring of indicator LED's, gauges, etc. and can be locked to prevent tampering



### Pain-Free Release

- Integrated color coded release levers make ejection fast and easy



### Visually Unique

- Housing can be customized with laser marking, multiple panel color options and printing on the front cover

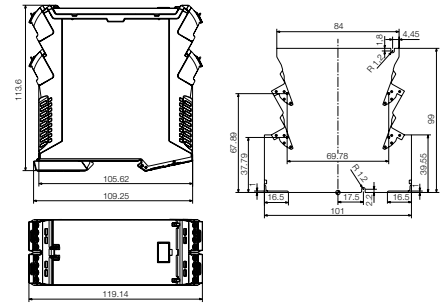
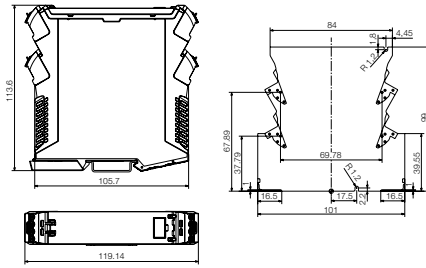
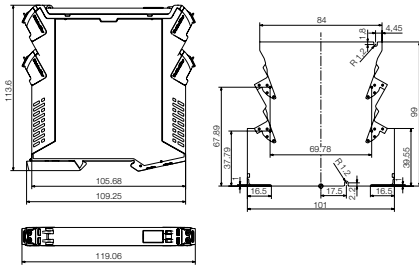


Widths from 6mm to 67.5mm

**Weidmüller** 

# Availability

The following products are currently available:



## 12.5mm Housing

Description	Part Number
<b>Base</b>	
Black, Clip-On Foot Black	1104170000
Black, Clip-on Foot Orange	1104180000
<b>Cover</b>	
Hinged Cover, Transparent	1104250000
Hinged Cover, Transparent Black	1104240000
Marker, MultiCard, White	1912130000
<b>Front</b>	
Black	1104190000
<b>Side</b>	
3 Levels, Black, 12 Connections	1174280000
2 Levels, Black, 8 Connections	1104200000
2 Levels, Blue, 8 Connections	1104220000
1 Level, Black, 4 Connections	1104210000
1 Level, Blue, 4 Connections	1104230000
<b>Pin Header - 2 Poles</b>	
<b>Left</b>	
4.2mm Solder Pin, Box Packaging	1069620000
4.2mm Solder Pin, Tape-on-Reel	1069650000
5.9mm Solder Pin, Box Packaging	1069750000
5.9mm Solder Pin, Tape-on-Reel	1069780000
<b>Right</b>	
4.2mm Solder Pin, Box Packaging	1069550000
4.2mm Solder Pin, Tape-on-Reel	1069580000
5.9mm Solder Pin, Box Packaging	1069680000
5.9mm Solder Pin, Tape-on-Reel	1069720000
<b>Plug - 2 Poles</b>	
Release Lever Black	1069330000
Release Lever Orange	1063260000
Release Lever Blue	1069360000
Marker, MultiCard, White	1082490000

## 22.5mm Housing

Description	Part Number
<b>Base</b>	
Black, Clip-On Foot Black	2418630000
Black, Clip-On Foot Orange	1104450000
Graphite Gray, Clip-On Foot Black	1073350000
Light Gray, Clip-On Foot Black	1164670000
<b>Cover</b>	
Hinged Cover, Transparent	1073420000
Hinged Cover, Transparent Black	2418670000
Marker, MultiCard, White	1912130000
<b>Front</b>	
Black	2418640000
Graphite Gray	1073360000
Light Gray	1164680000
<b>Side</b>	
3 Levels, Black, 24 Connections	1139790000
2 Levels, Black, 16 Connections	2418650000
2 Levels, Blue, 16 Connections	2418660000
2 Levels, Light Gray, 16 Connections	1164690000
2 Levels, Graphite Gray, 16 Connections	1073370000
1 Level, Black, 8 Connections	1080630000
1 Level, Blue, 8 Connections	1070620000
<b>Pin Header - 4 Poles</b>	
<b>Left</b>	
4.2mm Solder Pin, Box Packaging	1069640000
4.2mm Solder Pin, Tape-on-Reel	1069670000
5.9mm Solder Pin, Box Packaging	1069770000
5.9mm Solder Pin, Tape-on-Reel	1069810000
<b>Right</b>	
4.2mm Solder Pin, Box Packaging	1069570000
4.2mm Solder Pin, Tape-on-Reel	1069610000
5.9mm Solder Pin, Box Packaging	1069710000
5.9mm Solder Pin, Tape-on-Reel	1069740000
<b>Plug - 4 Poles</b>	
Release Lever Black	1069350000
Release Lever Orange	1063280000
Release Lever Blue	1069380000
Marker, MultiCard, White	1082540000

## 45mm Housing

Description	Part Number
<b>Base</b>	
Black, Clip-On Foot Black	1104400000
Black, Clip-on Foot Orange	1104410000
<b>Cover</b>	
Hinged Cover, Transparent	1104440000
Hinged Cover, Transparent Black	1104430000
Marker, MultiCard, White	1912130000
<b>Front</b>	
Black	1104420000
Closed, Black	1164800000
Graphite Gray	1164720000
Closed, Graphite Gray	1164730000
Light Gray	1164770000
Closed, Light Gray	1164780000
<b>Side</b>	
3 Levels, Black, 48 Connections	On Request
2 Levels, Black, 32 Connections	1111720000
2 Levels, Graphite Gray, 32 Connections	1164740000
2 Levels, Light Gray, 32 Connections	1164790000
2 Levels, Black, Left Empty, 16 Connections	1137740000
2 Levels, Black, Right Empty, 16 Connections	1137750000
1 Level, Black, 16 Connections	On Request
<b>Pin Header - 4 Poles</b>	
<b>Left</b>	
4.2mm Solder Pin, Box Packaging	1069640000
4.2mm Solder Pin, Tape-on-Reel	1069670000
5.9mm Solder Pin, Box Packaging	1069770000
5.9mm Solder Pin, Tape-on-Reel	1069810000
<b>Right</b>	
4.2mm Solder Pin, Box Packaging	1069570000
4.2mm Solder Pin, Tape-on-Reel	1069610000
5.9mm Solder Pin, Box Packaging	1069710000
5.9mm Solder Pin, Tape-on-Reel	1069740000
<b>Plug - 4 Poles</b>	
Release Lever Black	1069350000
Release Lever Orange	1063280000
Release Lever Blue	1069380000
Marker, MultiCard, White	1082540000

**Weidmuller, Canada**  
 10 Spy Court  
 Markham, Ontario L3R 5H6  
 Telephone: (800) 268-4080  
 Facsimile: (877) 300-5635  
 Email: info1@weidmuller.ca  
 Website: www.weidmuller.ca

**Weidmuller, Mexico**  
 Blvd. Hermanos Serdán 698,  
 Col. San Rafael Oriente  
 Puebla, Puebla, Mexico  
 C.P. 72029  
 Telephone: 01 222 2686267  
 Facsimile: 01 222 2686219  
 Email: clientes@weidmuller.com.mx  
 Website: www.weidmuller.com.mx

**Weidmuller, United States**  
 821 Southlake Blvd.  
 Richmond, Virginia 23236  
 Telephone: (800) 849-9343  
 Facsimile: (804) 379-2593  
 Email: info@weidmuller.com  
 Website: www.weidmuller.com

[www.weidmuller.com](http://www.weidmuller.com)