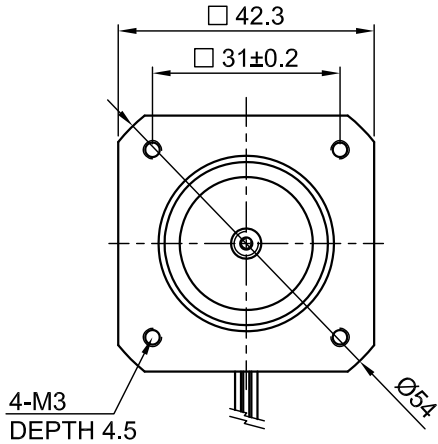
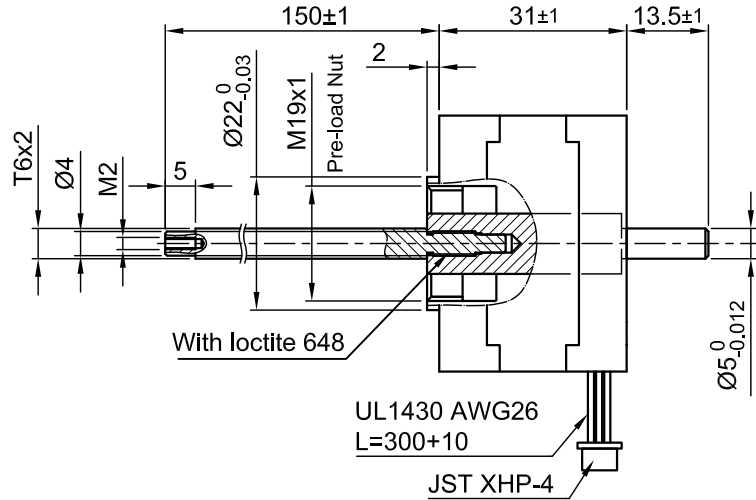


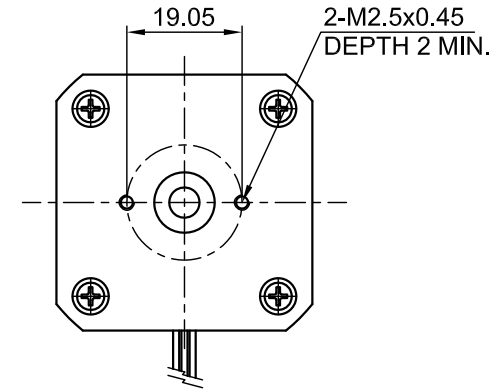
Front view and mounting



Side view

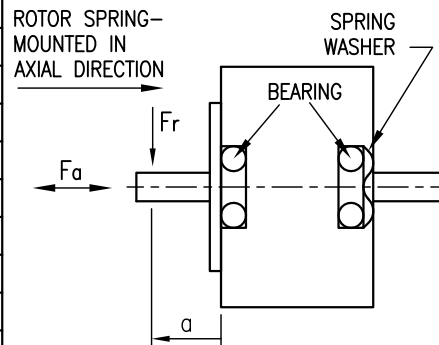


Rear view



CONNECTION	BIPOLAR
SPECIFICATION	
VOLTAGE (VDC)	2.8
AMPS/PHASE	1.4
RESISTANCE/PHASE (Ohms)@25°C	2.0±15%
INDUCTANCE/PHASE (mH) @1KHz	3.6±20%
HOLDING TORQUE (Nm) [lb-in]	0.2 [1.77]
DETENT TORQUE (Nm) [lb-in]	5.9x10 ⁻³ [5.222x10 ⁻²]
STEP ANGLE (°)	1.8
STEP ACCURACY (NON-ACCUM)	±5%
ROTOR INERTIA (Kg-m ²) [lb-in ²]	3.8x10 ⁻⁶ [1.3x10 ⁻²]
WEIGHT (Kg) [lb]	0.2 [0.44]
TEMPERATURE RISE: MAX.80°C (MOTOR STANDSTILL; FOR 2 PHASE ENERGIZED)	
AMBIENT TEMPERATURE -10°~ 50°C [14°F ~ 122°F]	
INSULATION RESISTANCE 100 MOhm (UNDER NORMAL TEMPERATURE AND HUMIDITY)	
INSULATION CLASS B 130° [266°F]	
DIELECTRIC STRENGTH 500VAC FOR 1 MIN. (BETWEEN THE MOTOR COILS AND THE MOTOR CASE)	
AMBIENT HUMIDITY MAX. 85% (NO CONDENSATION)	

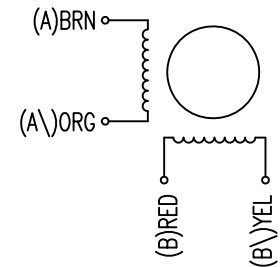
PERMISSIBLE RADIAL+AXIAL FORCE



AXIAL-FORCE Fa (N)	Fa=7			
DISTANCE a (mm)	5	10	15	20
RADIAL-FORCE Fr (N)	58	36	26	20
		AXIAL	RADIAL	
SHAFT PLAY (mm)	0.9 *	0.02		
AT LOAD MAX: (N)	90 *	4.5		

TYPE OF CONNECTION (EXTERN)	MOTOR		
	BIPOLAR	LEADS	WINDING
PIN NO			
1	A —	BRN	A
2	A\ —	ORG	A\
3	B —	RED	B
4	B\ —	YEL	B\

WIRING DIAGRAM



FULL STEP 2 PHASE-Ex.,
WHEN FACING MOUNTING END (X)

STEP	A	B	A\	B\		CCW
1	+	+	-	-	↓	↑
2	-	+	+	-		
3	-	-	+	+	↑	↓
4	+	-	-	+		

REV	DESCRIPTION	DATE	APVD	LS4118S1404-T6x2-150	SCALE FREE	APVD	S.R.	25.10.10	STEPPING MOTOR
					X ±0.5	CHKD			
					1PL ±0.2	DRN	J.W.	25.10.10	DWG.NO
					2PL ±0.1	SIGNATURE		DATE	LS4118S1404-T6x2-150
					ANGLE ±30'				

