

Spezifikation für Freigabe / specification for release

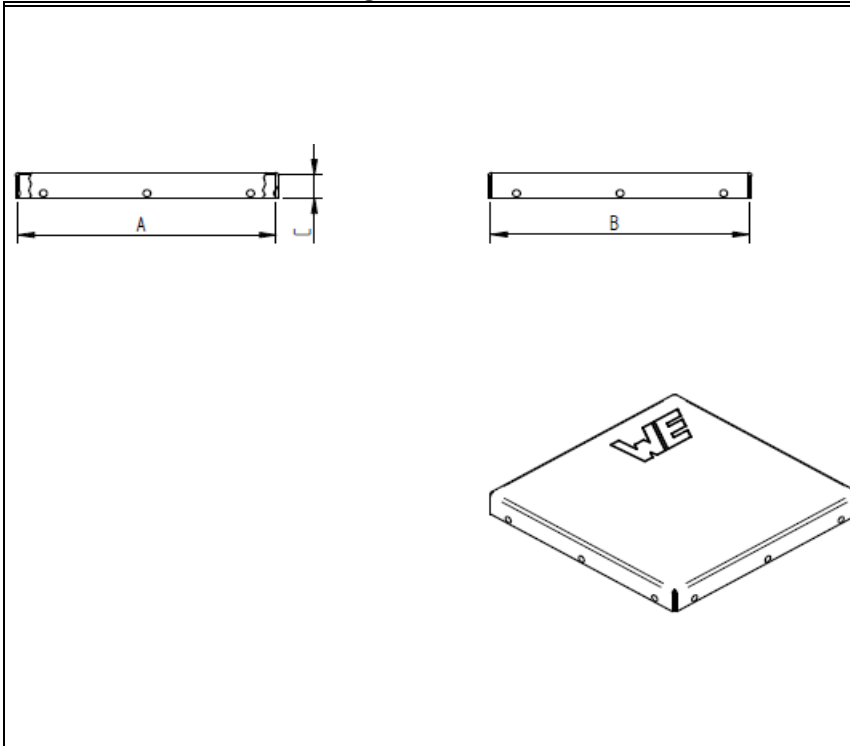
Kunde / customer :
 Artikelnummer / part number : **36003300**
 Bezeichnung : **ABSCHIRMGEHÄUSE DECKEL WE-SHC**
 description : **SHIELDING CABINET TOP COVER WE-SHC**



DATUM / DATE : 2009-08-25

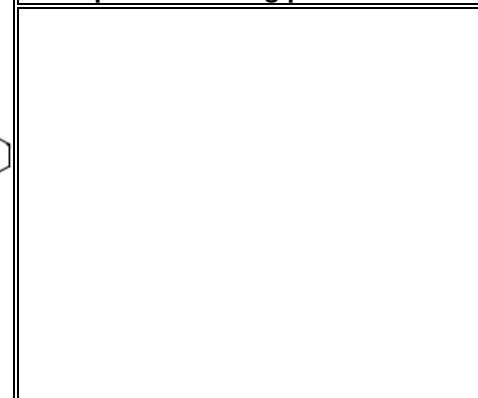
A Mechanische Abmessungen / dimensions:

Maßangaben / dimension values



A	31,2 ± 0,1	mm
B	31,2 ± 0,1	mm
C	3,0 ± 0,1	mm
		mm
		mm

B Lötpad / soldering pad:



C Materialangaben / material specification:

Basis Material / basic material	Weißblech / tin plate	DIN EN 10202 / 10203
Materialoberfläche / surface material	verzinnte Oberfläche/ tin-plated surface	E11,2 / 11,2 (g/m ²)
Härte HR30TM / hardness HR30TM:	58,03	

Freigabe erteilt / general release:	Kunde / customer			
			
Datum / date	Unterschrift / signature			
.....	Würth Elektronik			
Geprüft / checked	Kontrolliert / approved	WJ	Version 1	08-08-25
.....	Name	Änderung / modification	Datum / date

This electronic component has been designed and developed for usage in general electronic equipment. Before incorporating this component into any equipment where higher safety and reliability is especially required or if there is the possibility of direct damage or injury to human body, for example in the range of aerospace, aviation, nuclear control, submarine, transportation, (automotive control, train control, ship control), transportation signal, disaster prevention, medical, public information network etc, Würth Elektronik eiSos GmbH must be informed before the design-in stage. In addition, sufficient reliability evaluation checks for safety must be performed on every electronic component which is used in electrical circuits that require high safety and reliability functions or performance.

Würth Elektronik eiSos GmbH & Co. KG

D-74638 Waldenburg · Max-Eyth-Strasse 1 - 3 · Germany · Telefon (+49) (0) 7942 - 945 - 0 · Telefax (+49) (0) 7942 - 945 - 400
<http://www.we-online.com>

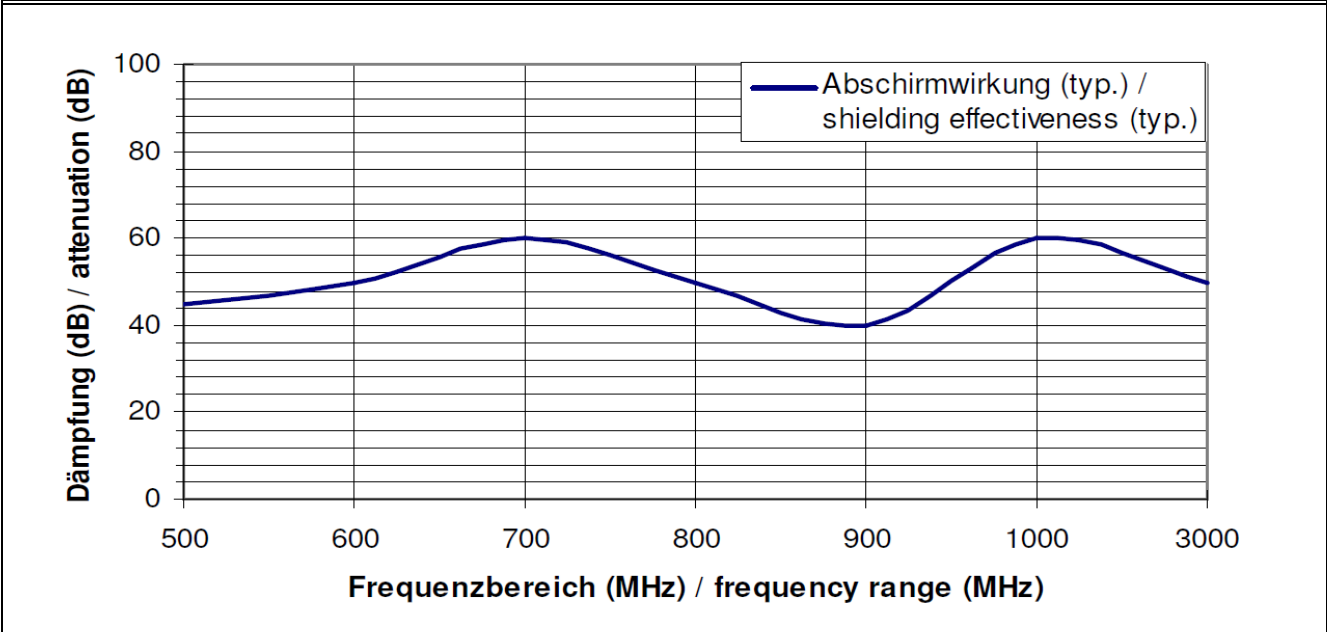
Spezifikation für Freigabe / specification for release

Kunde / customer :
 Artikelnummer / part number : **36003300**
 Bezeichnung : **ABSCHIRMGEHÄUSE DECKEL WE-SHC**
 description : **SHIELDING CABINET TOP COVER WE-SHC**



DATUM / DATE : 2009-08-25

D Abschirmwirkung / shielding effectiveness:



Abschirmwirkung:	bis zu 60dB bei 500 MHz ~ 3 GHz
shielding effectiveness:	up to 60dB @ 500 MHz ~ 3 GHz

Freigabe erteilt / general release:	Kunde / customer			
Datum / date	Unterschrift / signature			
	Würth Elektronik			
Geprüft / checked	Kontrolliert / approved	WJ	Version 1	08-08-25
		Name	Änderung / modification	Datum / date

This electronic component has been designed and developed for usage in general electronic equipment. Before incorporating this component into any equipment where higher safety and reliability is especially required or if there is the possibility of direct damage or injury to human body, for example in the range of aerospace, aviation, nuclear control, submarine, transportation, (automotive control, train control, ship control), transportation signal, disaster prevention, medical, public information network etc, Würth Elektronik eiSos GmbH must be informed before the design-in stage. In addition, sufficient reliability evaluation checks for safety must be performed on every electronic component which is used in electrical circuits that require high safety and reliability functions or performance.

Würth Elektronik eiSos GmbH & Co. KG

D-74638 Waldenburg · Max-Eyth-Strasse 1 - 3 · Germany · Telefon (+49) (0) 7942 - 945 - 0 · Telefax (+49) (0) 7942 - 945 - 400
<http://www.we-online.com>