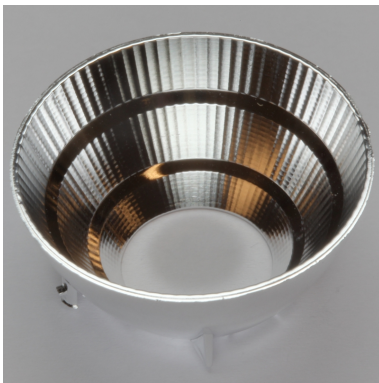


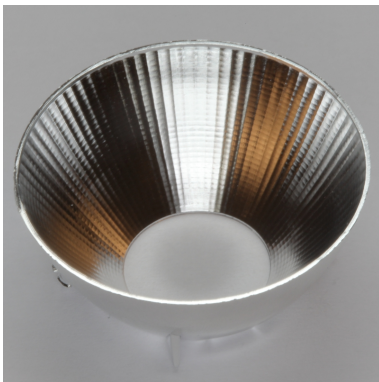
Ordering number	C11506		
Description	C11506-Brooke-MBH-S		
Family	Brooke-MBH	FWHM	04degrees
Type	Reflector	Efficiency	-
LED	BXRA-C0800/1200/2000	cd/lm	-
Color	Metal	Gerber File	Available
Diameter	45 mm		
Height	19.5 mm		
Style	Round		
Optic Material	-		
Holder Material	-		
Fastening	-		
Status	Ready		



Ordering number	C11507		
Description	C11507-Brooke-MBH-M		
Family	Brooke-MBH	FWHM	02degrees
Type	Reflector	Efficiency	-
LED	BXRA-C0800/1200/2000	cd/lm	-
Color	Metal	Gerber File	Available
Diameter	45 mm		
Height	19.5 mm		
Style	Round		
Optic Material	-		
Holder Material	-		
Fastening	-		
Status	Ready		



Ordering number	C11508		
Description	C11508-Brooke-MBH-W		
Family	Brooke-MBH	FWHM	00degrees
Type	Reflector	Efficiency	-
LED	BXRA-C0800/1200/2000	cd/lm	-
Color	Metal	Gerber File	Available
Diameter	45 mm		
Height	19.5 mm		
Style	Round		
Optic Material	-		
Holder Material	-		
Fastening	-		
Status	Ready		



Ordering number	C11506		
Description	C11506-Brooke-MBH-S		
Family	Brooke-MBH	FWHM	04degrees
Type	Reflector	Efficiency	-
LED	BXRA-C0800/1200/2000	cd/lm	-
Color	Metal	Gerber File	Available
Diameter	45 mm		
Height	19.5 mm		
Style	Round		
Optic Material	-		
Holder Material	-		
Fastening	-		
Status	Ready		

Brooke-MBH series



Ordering number	C11507		
Description	C11507-Brooke-MBH-W		
Family	Brooke-MBH	FWHM	62degrees
Type	Reflector	Efficiency	-
LED	BXRA-C0800/1200/2000	cd/lm	-
Color	Metal	Gerber File	Available
Diameter	45 mm		
Height	19.5 mm		
Style	Round		
Optic Material	-		
Holder Material	-		
Fastening	-		
Status	Ready		



Ordering number	C11508		
Description	C11508-Brooke-MBH-W		
Family	Brooke-MBH	FWHM	60degrees
Type	Reflector	Efficiency	-
LED	BXRA-C0800/1200/2000	cd/lm	-
Color	Metal	Gerber File	Available
Diameter	45 mm		
Height	19.5 mm		
Style	Round		
Optic Material	-		
Holder Material	-		
Fastening	-		
Status	Ready		



Brooke-MBH series

Specially designed for BXRA-C0800/1200/2000 series of LEDs.

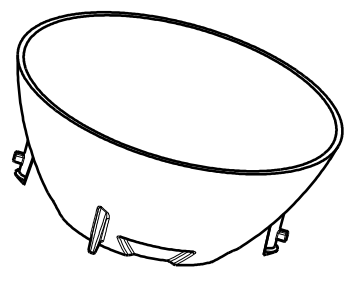
Reflector material optical grade metal and protective lacquer coated PC (120 degrees of Celcius/24 degrees of Fahrenheit). Allows use of high current and temperature conditions.

D

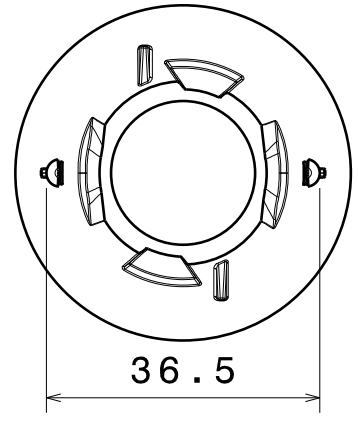
C

B

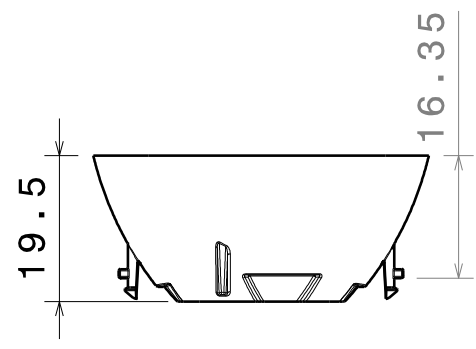
A



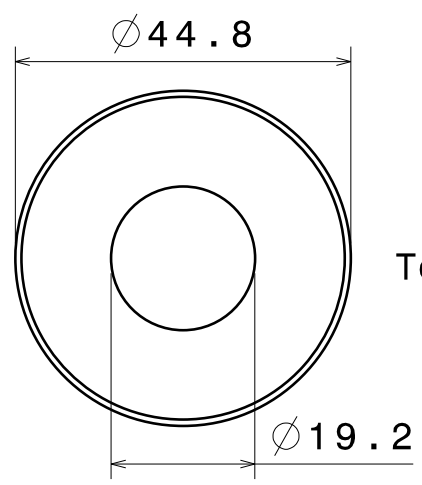
Isometric view



Bottom view



Front view



Top view

Part No.s:
 C11506_Brooke-MBH-S
 C11507_Brooke-MBH-M
 C11508_Brooke-MBH-W

Material: PC with Metal coating
 and clear lacquer

This drawing is our property.
 It can't be reproduced
 or communicated without
 our written agreement.



Ledil Oy
 Tehdaskatu 13
 FIN-24100 SALO
 Finland

DRAWING TITLE
Datasheet Brooke-MBH Ref1

DRAWN BY
 mav

DATE
 27.01.2011

CHECKED BY
 tk

DATE
 27.01.2011

SIZE
A4

DRAWING NUMBER

REV
1

DESIGNED BY
o1

DATE
 01.01.2011

SCALE 1:1 WEIGHT (g)

SHEET 1/1

D

A

4

4

3

3

2

2

1

1