

Common mode Noise Filters

Type: **EXC24CH**



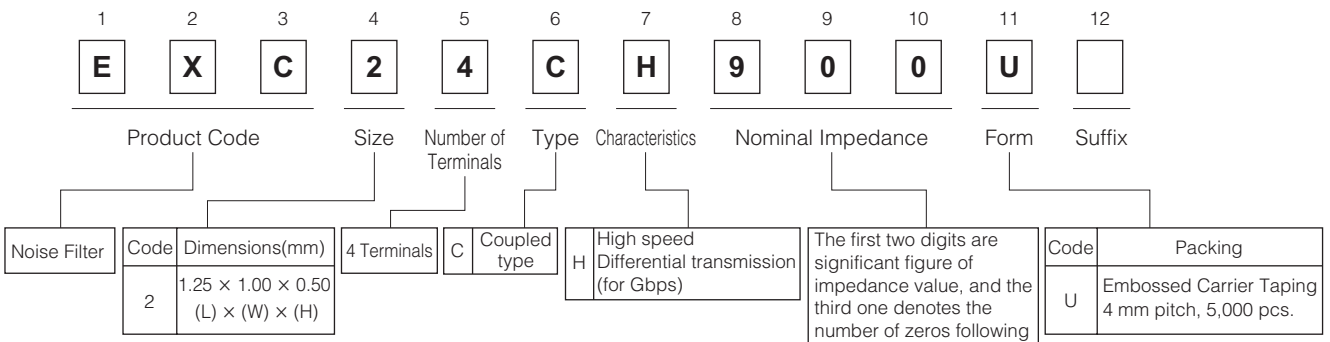
■ Features

- Small size and low-profile
(L 1.25 mm×W 1.00 mm×H 0.50 mm)
- The achievement of the 6 GHz to 10 GHz signal cutoff frequency minimized the adverse effects on high-speed differential signaling lines, such as rounding of signal waveforms, and also enabled the suppression of high-frequency noise.
- Rigid multi-layer sintered structure with high resistance to reflow heat and mounting reliability
- Lead, halogen, and antimony free
- RoHS compliant

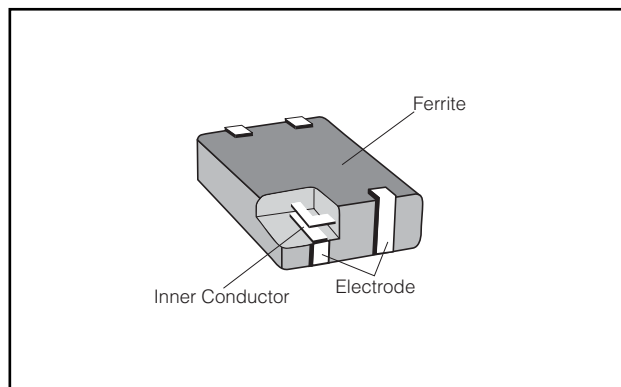
■ Recommended Applications

- Noise suppression for high-speed transmission circuits of the following equipment:
Digital AV equipment (TV, DVD/Blu-ray drives)
Information equipment (computers, HDD)
Communications equipment (mobile phones, smart phones)
- Interface examples
USB 3.0, HDMI, SATA, DisplayPort

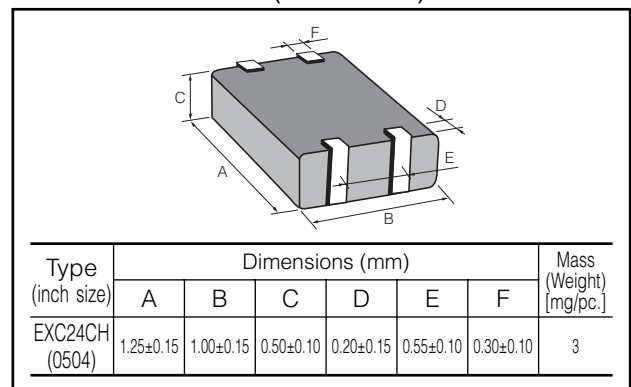
■ Explanation of Part Numbers



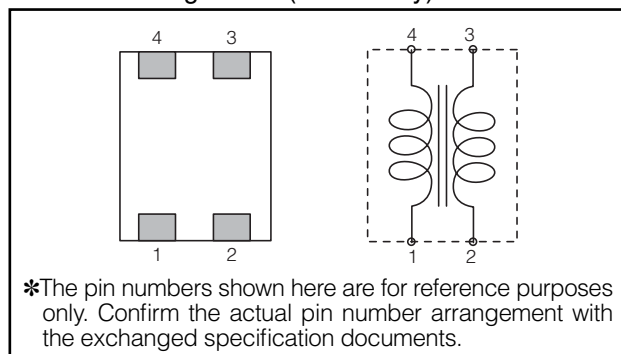
■ Construction



■ Dimensions in mm (not to scale)



■ Circuit Configuration (No Polarity)



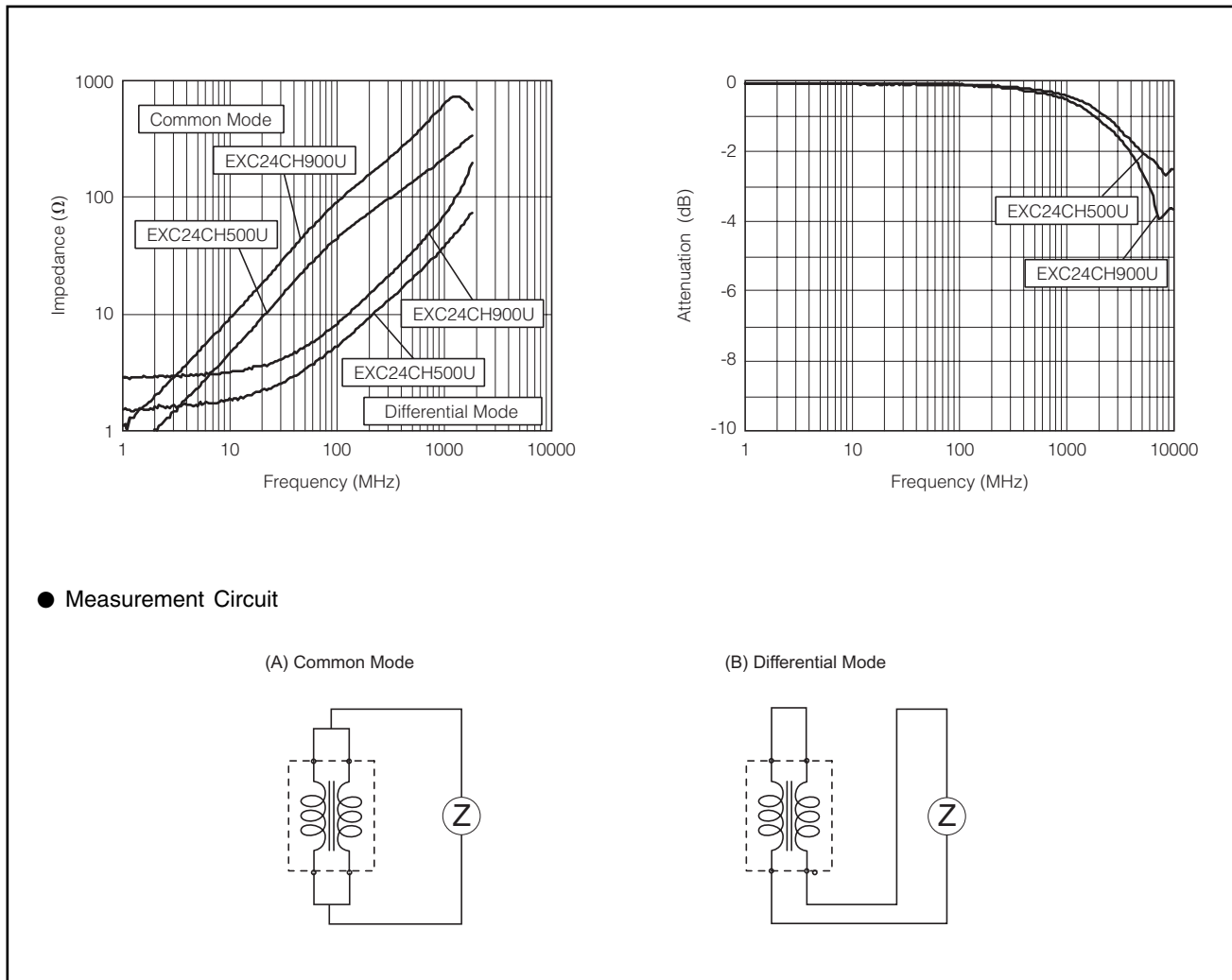
■ Ratings

Part Number	Impedance (Ω) at 100MHz		Cutoff Frequency (GHz)	Rated Voltage (V DC)	Rated Current (mA DC)	DC Resistance (Ω)max.
	Common Mode	Differential Mode				
EXC24CH500U	50 Ω \pm 25 %	13 Ω max.	10 Typ.	5	160	1.5
EXC24CH900U	90 Ω \pm 20 %	15 Ω max.	6 Typ.	5	130	2.5

- Category Temperature Range $-40\text{ }^{\circ}\text{C}$ to $+85\text{ }^{\circ}\text{C}$

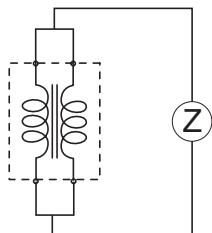
■ Impedance Characteristics (Typical)

■ Insertion Loss (Typical)

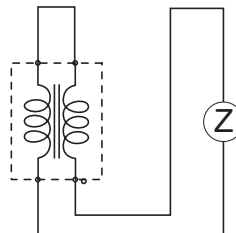


● Measurement Circuit

(A) Common Mode



(B) Differential Mode



■ Packaging Methods

Please see Page 235

■ Recommended Land Pattern Design, Recommended Soldering Conditions, Δ Safety Precautions

Please see Page 236