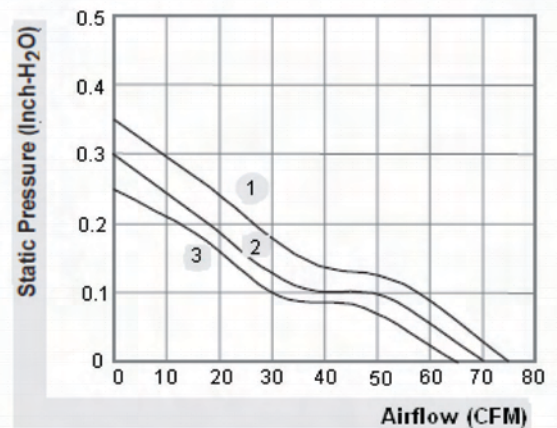
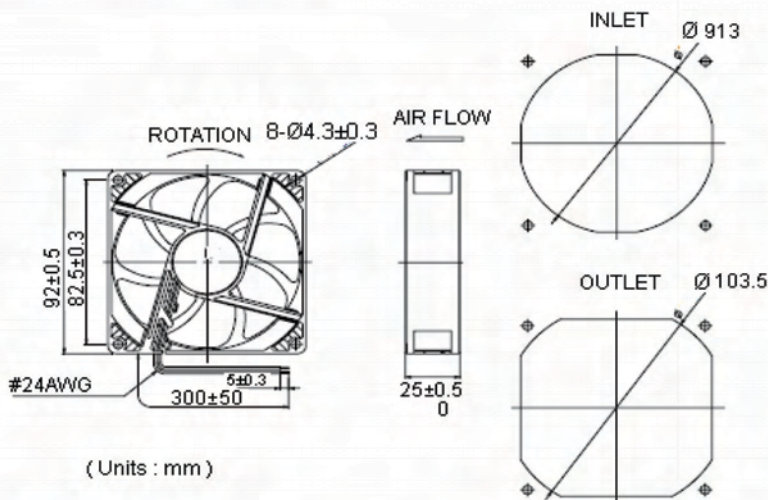


Axial Fan



Specifications:

Size : 92 x 92 x 25mm.
Air flow : 65 to 75cfm.

Specifications Table:

Description	Bearing	Rating Voltage (VDC)	Power Current (mA)	Power Consumption (WATTS)	Speed (RPM)	Air Flow (CFM)	Static Pressure (Inch-H ₂ O)	Noise (dBA)	Weight (g)	Curve	Part Number
Axial Fan	VAPO	12	393	4.70	4500	75.0	0.35	46.0	103.0	1	MC36339
Axial Fan	VAPO	24	220	5.28	4500	75.0	0.35	46.0	103.0	1	MC36332
Axial Fan	Sleeve	12	393	4.70	4500	75.0	0.35	47.0	98.0	1	MC36337
Axial Fan	Sleeve	12	325	3.90	4200	70.0	0.30	45.0	98.0	2	MC36338
Axial Fan	Sleeve	24	220	5.28	4500	75.0	0.35	47.0	103.0	2	MC36331
Axial Fan	Sleeve	48	125	6.00	4500	75.0	0.35	47.0	103.0	1	MC36333

Disclaimer This data sheet and its contents (the "Information") belong to the Premier Farnell Group (the "Group") or are licensed to it. No licence is granted for the use of it other than for information purposes in connection with the products to which it relates. No licence of any intellectual property rights is granted. The Information is subject to change without notice and replaces all data sheets previously supplied. The Information supplied is believed to be accurate but the Group assumes no responsibility for its accuracy or completeness, any error in or omission from it or for any use made of it. Users of this data sheet should check for themselves the Information and the suitability of the products for their purpose and not make any assumptions based on information included or omitted. Liability for loss or damage resulting from any reliance on the Information or use of it (including liability resulting from negligence or where the Group was aware of the possibility of such loss or damage arising) is excluded. This will not operate to limit or restrict the Group's liability for death or personal injury resulting from its negligence. SPC Multicom is the registered trademark of the Group. © Premier Farnell plc 2010.