

REV	ZONE	LTR	DESCRIPTION	DATE	REVISER	APPD

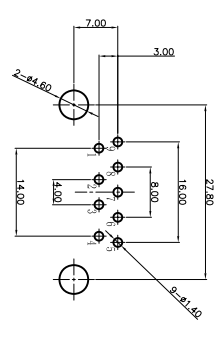
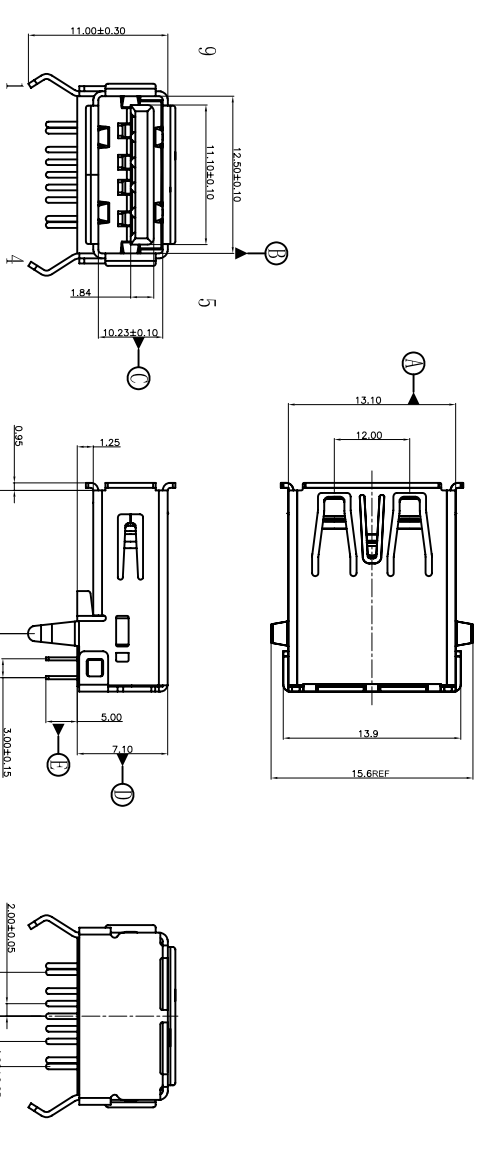
ORDERING INFORMATION :

3 AL 09 S - 1 \* 5 - ZZ  
 (1) (2) (3) (4) (5)(6)(7) (8)

- (1) SERIES NUMBER :  
3 : USB CONNECTOR
- (2) CONSTRUCTION NODE :  
AL : USB A TYPE R/A TYPE
- (3) NUMBER OF PIN :  
09 : 9 POSITIONS
- (4) CONTACT & CONNECTING TYPES :  
S: SOCKET
- (5) COLOR CODES :  
1 : BLUE
- (6) CONTACT PLATINGS :  
0 : SELECTED GOLD FLASH OVER NICKEL  
2 : 15u" SELECTED GOLD OVER NICKEL  
3 : 30u" SELECTED GOLD OVER NICKEL
- (7) SHELL PLATINGS :  
5 : NICKEL PLATING
- (8) SUFFIX NO.

ELECTRICAL:

- 1. VOLTAGE RATING : 100VAC.
- 2. CONTACT RESISTANCE : 50 MILLIJOHMS MAX.
- 3. INSULATION RESISTANCE : 100 MEGOHMS MIN.



LAYOUT TOP VIEW  
 (TOLERANCE: ±0.05)

NO.	SUB PART NAME OR NO.	MATERIAL	MANUFACTURE TYPE & FINISH	QTY	REMARK
1	HOUSING	PBT+30%GF	COLOR:BLUE	1	UL94V-0
2	RING	0.3t BRASS	NI PLATED	1	
3	TERMINAL-1	0.2t Phosphor bronze	GOLD/TIN PLATED	4	
4	TERMINAL-2	0.2t BRASS	GOLD/TIN PLATED	5	

**FPN** FREEPART

MATERIAL	TOLERANCE UNSPECIFIED
FINISH	± 0.25
	± 0.38
	± 1°
	ANGLE

DRAWN	NAME
DESIGNER	SCALE
CHECKED	NONE
APPROVED	UNIT
	mm

DRAWING NO.	REVISION
R-S13AL-23	1.0
CHECKED	SHEET
SKY	1/1
APPROVED	REV
Dived	1.0

A B C D E F 1 2 3 4 5 6 7