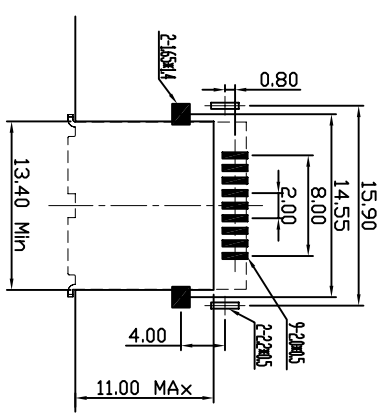
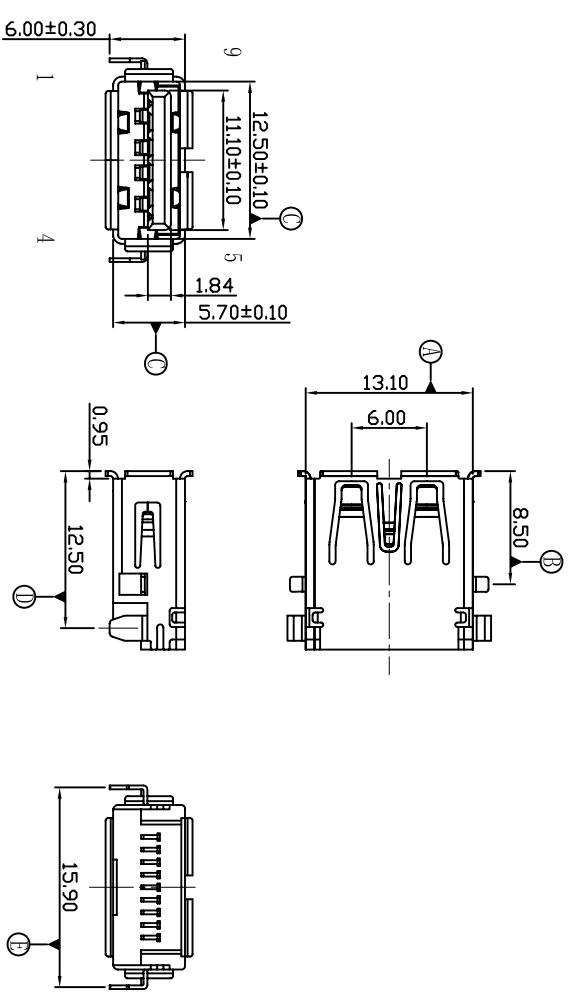


REV	ZONE	LTR	DESCRIPTION	DATE	REVISER	APPD

ORDERING INFORMATION :

3 AU 09 S - 1 * 5 - ZZ
 (1) (2) (3) (4) (5)(6)(7) (8)

- (1) SERIES NUMBER :
3 : USB CONNECTOR
- (2) CONSTRUCTION NODE :
AU: R/A SMT TYPE A TYPE
- (3) NUMBER OF PIN :
09 : 9 POSITIONS
- (4) CONTACT & CONNECTING TYPES :
S: SOCKET
- (5) COLOR CODES :
1 : BLUE
- (6) CONTACT PLATINGS :
0 : SELECTED GOLD FLASH OVER NICKEL
2 : 15u" SELECTED GOLD OVER NICKEL
3 : 30u" SELECTED GOLD OVER NICKEL
- (7) SHELL PLATINGS :
5 : NICKEL PLATING
- (8) SUFFIX NO.



PCB LAYOUT TOP VIEW
 (TOLERANCE: ±0.05)

NO.	SUB PART NAME OR NO.	MATERIAL	MANUF. ACTURE TYPE & FINISH QTY	REMARK
1	HOUSING	PBT+30%GF	COLOR: BLUE	UJ94V-0
2	RING	0.3t BRASS	NI PLATED	1
3	TERMINAL-1	0.2t Phosphor bronze	GOLD/TIN PLATED	4
4	TERMINAL-2	0.2t BRASS	GOLD/TIN PLATED	5

- ELECTRICAL:
- VOLTAGE RATING : 100VAC.
 - CONTACT RESISTANCE : 50 MILLIOHMS MAX.
 - INSULATION RESISTANCE : 100 MEGOHMS MIN.

MATERIAL		TOLERANCE UNSPECIFIED	
FINISH		\pm ± 0.25 ± 0.38 ANGLE $\pm 1^\circ$	
DRAWN 寇建峰 10/10/07		NAME	
DESIGNER		SCALE NONE	
CHECKED SKY		UNIT mm	
APPROVED Dived		SHEET 1/1	
DRAWING NO. R-S13AU-C		REV 1.0	



A B C D E F

1 2 3 4 5 6 7 8

A B C D E F