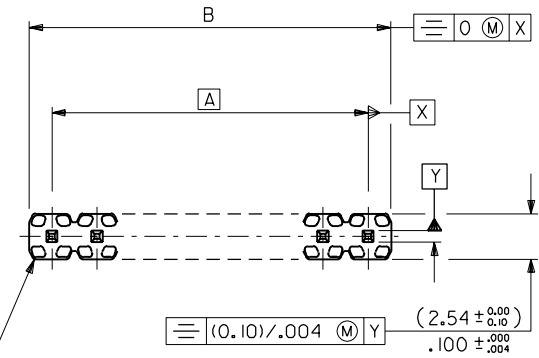
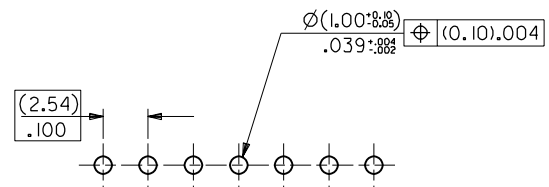
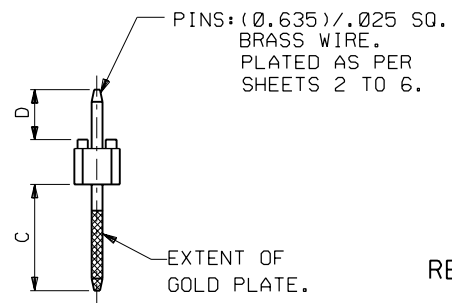
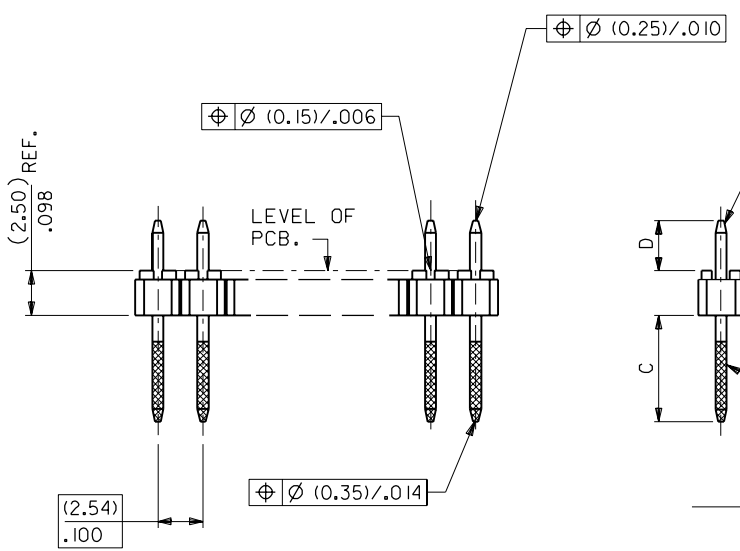


PART NO. SEE CHART  
 DWG. NO. SDA-90120



WAFER: 15% GLASS FILLED POLYESTER  
 TO UL 94V-0.  
 COLOUR : BLACK.



RECOMMENDED P.C. BOARD HOLE PATTERN

CKT SIZE	DIM. "A"		DIM. "B" $(+0.20)$ $-0.008$		CKT SIZE	DIM. "A"		DIM. "B" $(+0.20)$ $-0.008$	
1X 1			(2.54)	.100	1X21	(50.80)	2.000	(53.34)	2.100
1X 2	(2.54)	.100	(5.08)	.200	1X22	(53.34)	2.100	(55.88)	2.200
1X 3	(5.08)	.200	(7.62)	.300	1X23	(55.88)	2.200	(58.42)	2.300
1X 4	(7.62)	.300	(10.16)	.400	1X24	(58.42)	2.300	(60.96)	2.400
1X 5	(10.16)	.400	(12.70)	.500	1X25	(60.96)	2.400	(63.50)	2.500
1X 6	(12.70)	.500	(15.24)	.600	1X26	(63.50)	2.500	(66.04)	2.600
1X 7	(15.24)	.600	(17.78)	.700	1X27	(66.04)	2.600	(68.58)	2.700
1X 8	(17.78)	.700	(20.32)	.800	1X28	(68.58)	2.700	(71.12)	2.800
1X 9	(20.32)	.800	(22.86)	.900	1X29	(71.12)	2.800	(73.66)	2.900
1X10	(22.86)	.900	(25.40)	1.000	1X30	(73.66)	2.900	(76.20)	3.000
1X11	(25.40)	1.000	(27.94)	1.100	1X31	(76.20)	3.000	(78.74)	3.100
1X12	(27.94)	1.100	(30.48)	1.200	1X32	(78.74)	3.100	(81.28)	3.200
1X13	(30.48)	1.200	(33.02)	1.300	1X33	(81.28)	3.200	(83.82)	3.300
1X14	(33.02)	1.300	(35.56)	1.400	1X34	(83.82)	3.300	(86.36)	3.400
1X15	(35.56)	1.400	(38.10)	1.500	1X35	(86.36)	3.400	(88.90)	3.500
1X16	(38.10)	1.500	(40.64)	1.600	1X36	(88.90)	3.500	(91.44)	3.600
1X17	(40.64)	1.600	(43.18)	1.700	1X37	(91.44)	3.600	(93.98)	3.700
1X18	(43.18)	1.700	(45.72)	1.800	1X38	(93.98)	3.700	(96.52)	3.800
1X19	(45.72)	1.800	(48.26)	1.900	1X39	(96.52)	3.800	(99.06)	3.900
1X20	(48.26)	1.900	(50.80)	2.000	1X40	(99.06)	3.900	(101.60)	4.000

NOTES

1. FOR ASSY NUMBERS WITH FINISH OPTIONS AND DIM'S C & D SEE SHEETS 2 TO 6.

6	J
5	K
4	J
3	J
2	J
1	K
SHL.	REV.

FOR PREVIOUS DRAWING ISSUES SEE MRI.

CHANGE OF PART NUMB  
 ECN EB0532  
 OC 04-06-98

REVISIONS

	INCH	(METRIC)
3 PLACE	± .----	± ----
2 PLACE	± .----	± ----
1 PLACE	± .----	± ----

DRAFT WHERE APPLICABLE MUST REMAIN WITHIN DIMENSIONS

DESIGN DIMENSION  (MM) (PRIMARY)  IN.

EQUIVALENT DIMENSION  (MM) (SECONDARY)  IN.

DRWG BY: DB

CHK'D BY:

APP'D BY:

SCALE: 4:1

REVISE ONLY ON CAD SYSTEM

CAD/CAM FILE NAME: SA90120X1 DGN

THIS DRAWING CONTAINS INFORMATION THAT IS PROPRIETARY TO MOLEX INC. & SHOULD NOT BE USED WITHOUT WRITTEN PERMISSION

TITLE: C-GRID III SINGLE ROW STRAIGHT PIN HEADER

MOLEX MOLEX EUROPE

SHEET NO. DATE: 10F6 16/ 7/87

PART NO. SEE CHART

DWG. NO. SDA-90120

SIZE: B

	10	9	8	7	6	5	4	3	2	1																																																																																																																																																																																							
F	PART NO. SEE CHART DWG. NO. SDA-90120  DIM C (+0.20 / -0.008) (6.75) .266  DIM D (+0.20 / 0.30) (-0.008 / -0.012) (2.90) .114	<table border="1"> <thead> <tr> <th>CIRCUIT SIZE</th> <th>PLATING TYPE A PART NO.</th> <th>PLATING TYPE E PART NO.</th> <th>PLATING TYPE F PART NO.</th> </tr> </thead> <tbody> <tr><td>1 X 1</td><td>90120-0121</td><td>90120-0761</td><td>90120-0921</td></tr> <tr><td>1 X 2</td><td>↑ -0122</td><td>↑ -0762</td><td>↑ -0922</td></tr> <tr><td>1 X 3</td><td>-0123</td><td>-0763</td><td>-0923</td></tr> <tr><td>1 X 4</td><td>-0124</td><td>-0764</td><td>-0924</td></tr> <tr><td>1 X 5</td><td>-0125</td><td>-0765</td><td>-0925</td></tr> <tr><td>1 X 6</td><td>-0126</td><td>-0766</td><td>-0926</td></tr> <tr><td>1 X 7</td><td>-0127</td><td>-0767</td><td>-0927</td></tr> <tr><td>1 X 8</td><td>-0128</td><td>-0768</td><td>-0928</td></tr> <tr><td>1 X 9</td><td>-0129</td><td>-0769</td><td>-0929</td></tr> <tr><td>1 X 10</td><td>-0130</td><td>-0770</td><td>-0930</td></tr> <tr><td>1 X 11</td><td>-0131</td><td>-0771</td><td>-0931</td></tr> <tr><td>1 X 12</td><td>-0132</td><td>-0772</td><td>-0932</td></tr> <tr><td>1 X 13</td><td>-0133</td><td>-0773</td><td>-0933</td></tr> <tr><td>1 X 14</td><td>-0134</td><td>-0774</td><td>-0934</td></tr> <tr><td>1 X 15</td><td>-0135</td><td>-0775</td><td>-0935</td></tr> <tr><td>1 X 16</td><td>-0136</td><td>-0776</td><td>-0936</td></tr> <tr><td>1 X 17</td><td>-0137</td><td>-0777</td><td>-0937</td></tr> <tr><td>1 X 18</td><td>-0138</td><td>-0778</td><td>-0938</td></tr> <tr><td>1 X 19</td><td>-0139</td><td>-0779</td><td>-0939</td></tr> <tr><td>1 X 20</td><td>-0140</td><td>-0780</td><td>-0940</td></tr> <tr><td>1 X 21</td><td>-0141</td><td>-0781</td><td>-0941</td></tr> <tr><td>1 X 22</td><td>-0142</td><td>-0782</td><td>-0942</td></tr> <tr><td>1 X 23</td><td>-0143</td><td>-0783</td><td>-0943</td></tr> <tr><td>1 X 24</td><td>-0144</td><td>-0784</td><td>-0944</td></tr> <tr><td>1 X 25</td><td>-0145</td><td>-0785</td><td>-0945</td></tr> <tr><td>1 X 26</td><td>-0146</td><td>-0786</td><td>-0946</td></tr> <tr><td>1 X 27</td><td>-0147</td><td>-0787</td><td>-0947</td></tr> <tr><td>1 X 28</td><td>-0148</td><td>-0788</td><td>-0948</td></tr> <tr><td>1 X 29</td><td>-0149</td><td>-0789</td><td>-0949</td></tr> <tr><td>1 X 30</td><td>-0150</td><td>-0790</td><td>-0950</td></tr> <tr><td>1 X 31</td><td>-0151</td><td>-0791</td><td>-0951</td></tr> <tr><td>1 X 32</td><td>-0152</td><td>-0792</td><td>-0952</td></tr> <tr><td>1 X 33</td><td>-0153</td><td>-0793</td><td>-0953</td></tr> <tr><td>1 X 34</td><td>-0154</td><td>-0794</td><td>-0954</td></tr> <tr><td>1 X 35</td><td>-0155</td><td>-0795</td><td>-0955</td></tr> <tr><td>1 X 36</td><td>-0156</td><td>-0796</td><td>-0956</td></tr> <tr><td>1 X 37</td><td>-0157</td><td>-0797</td><td>-0957</td></tr> <tr><td>1 X 38</td><td>-0158</td><td>-0798</td><td>-0958</td></tr> <tr><td>1 X 39</td><td>↓ -0159</td><td>↓ -0799</td><td>↓ -0959</td></tr> <tr><td>1 X 40</td><td>90120-0160</td><td>90120-0800</td><td>90120-0960</td></tr> </tbody> </table>			CIRCUIT SIZE	PLATING TYPE A PART NO.	PLATING TYPE E PART NO.	PLATING TYPE F PART NO.	1 X 1	90120-0121	90120-0761	90120-0921	1 X 2	↑ -0122	↑ -0762	↑ -0922	1 X 3	-0123	-0763	-0923	1 X 4	-0124	-0764	-0924	1 X 5	-0125	-0765	-0925	1 X 6	-0126	-0766	-0926	1 X 7	-0127	-0767	-0927	1 X 8	-0128	-0768	-0928	1 X 9	-0129	-0769	-0929	1 X 10	-0130	-0770	-0930	1 X 11	-0131	-0771	-0931	1 X 12	-0132	-0772	-0932	1 X 13	-0133	-0773	-0933	1 X 14	-0134	-0774	-0934	1 X 15	-0135	-0775	-0935	1 X 16	-0136	-0776	-0936	1 X 17	-0137	-0777	-0937	1 X 18	-0138	-0778	-0938	1 X 19	-0139	-0779	-0939	1 X 20	-0140	-0780	-0940	1 X 21	-0141	-0781	-0941	1 X 22	-0142	-0782	-0942	1 X 23	-0143	-0783	-0943	1 X 24	-0144	-0784	-0944	1 X 25	-0145	-0785	-0945	1 X 26	-0146	-0786	-0946	1 X 27	-0147	-0787	-0947	1 X 28	-0148	-0788	-0948	1 X 29	-0149	-0789	-0949	1 X 30	-0150	-0790	-0950	1 X 31	-0151	-0791	-0951	1 X 32	-0152	-0792	-0952	1 X 33	-0153	-0793	-0953	1 X 34	-0154	-0794	-0954	1 X 35	-0155	-0795	-0955	1 X 36	-0156	-0796	-0956	1 X 37	-0157	-0797	-0957	1 X 38	-0158	-0798	-0958	1 X 39	↓ -0159	↓ -0799	↓ -0959	1 X 40	90120-0160	90120-0800	90120-0960	<table border="1"> <tr> <td rowspan="2">FOR PREVIOUS DRAWING ISSUES SEE MRI.</td> <td rowspan="2">J</td> <td rowspan="2">SEE SHEET I.</td> <td>           DIMENSIONS SHOWN (METRIC) INCH            UNLESS OTHERWISE SPECIFIED TOLERANCES: ANGULAR ± 1/2°            INCH (METRIC)            3 PLACE # . --- # ---            2 PLACE # . --- # ---            1 PLACE # . --- # ---            DRAFT WHERE APPLICABLE MUST REMAIN WITHIN DIMENSIONS         </td> <td>           DRWG BY DB            CHK'D BY            APP'D BY            SCALE         </td> </tr> <tr> <td>           DESIGN DIMENSION (PRIMARY) <input checked="" type="checkbox"/> (MM) <input type="checkbox"/> IN.            EQUIVALENT DIMENSION (SECONDARY) <input type="checkbox"/> (MM) <input checked="" type="checkbox"/> IN.         </td> <td>           TITLE            C-GRID III            SINGLE ROW STRAIGHT            PIN HEADER            SHEET NO. 20F            DATE 16/ 7/87            PART NO. SEE CHART            DWG NO. SDA-90120            SIZE B         </td> </tr> </table>			FOR PREVIOUS DRAWING ISSUES SEE MRI.	J	SEE SHEET I.	DIMENSIONS SHOWN (METRIC) INCH UNLESS OTHERWISE SPECIFIED TOLERANCES: ANGULAR ± 1/2° INCH (METRIC) 3 PLACE # . --- # --- 2 PLACE # . --- # --- 1 PLACE # . --- # --- DRAFT WHERE APPLICABLE MUST REMAIN WITHIN DIMENSIONS	DRWG BY DB CHK'D BY APP'D BY SCALE	DESIGN DIMENSION (PRIMARY) <input checked="" type="checkbox"/> (MM) <input type="checkbox"/> IN. EQUIVALENT DIMENSION (SECONDARY) <input type="checkbox"/> (MM) <input checked="" type="checkbox"/> IN.	TITLE C-GRID III SINGLE ROW STRAIGHT PIN HEADER SHEET NO. 20F DATE 16/ 7/87 PART NO. SEE CHART DWG NO. SDA-90120 SIZE B	<table border="1"> <tr> <td colspan="2">REVISE ONLY ON CAD SYSTEM</td> <td>SH.</td> <td>REV.</td> </tr> <tr> <td colspan="2">CAD/CAM FILENAME: SA90120X2 DGN</td> <td colspan="2">THIS DRAWING CONTAINS INFORMATION THAT IS PROPRIETARY TO MOLEX INC. &amp; SHOULD NOT BE USED WITHOUT WRITTEN PERMISSION</td> </tr> <tr> <td colspan="4">           MOLEX EUROPE            7132-1283         </td> </tr> </table>			REVISE ONLY ON CAD SYSTEM		SH.	REV.	CAD/CAM FILENAME: SA90120X2 DGN		THIS DRAWING CONTAINS INFORMATION THAT IS PROPRIETARY TO MOLEX INC. & SHOULD NOT BE USED WITHOUT WRITTEN PERMISSION		MOLEX EUROPE 7132-1283			
CIRCUIT SIZE		PLATING TYPE A PART NO.	PLATING TYPE E PART NO.	PLATING TYPE F PART NO.																																																																																																																																																																																													
1 X 1		90120-0121	90120-0761	90120-0921																																																																																																																																																																																													
1 X 2		↑ -0122	↑ -0762	↑ -0922																																																																																																																																																																																													
1 X 3		-0123	-0763	-0923																																																																																																																																																																																													
1 X 4		-0124	-0764	-0924																																																																																																																																																																																													
1 X 5		-0125	-0765	-0925																																																																																																																																																																																													
1 X 6		-0126	-0766	-0926																																																																																																																																																																																													
1 X 7		-0127	-0767	-0927																																																																																																																																																																																													
1 X 8		-0128	-0768	-0928																																																																																																																																																																																													
1 X 9		-0129	-0769	-0929																																																																																																																																																																																													
1 X 10		-0130	-0770	-0930																																																																																																																																																																																													
1 X 11		-0131	-0771	-0931																																																																																																																																																																																													
1 X 12		-0132	-0772	-0932																																																																																																																																																																																													
1 X 13		-0133	-0773	-0933																																																																																																																																																																																													
1 X 14		-0134	-0774	-0934																																																																																																																																																																																													
1 X 15		-0135	-0775	-0935																																																																																																																																																																																													
1 X 16		-0136	-0776	-0936																																																																																																																																																																																													
1 X 17		-0137	-0777	-0937																																																																																																																																																																																													
1 X 18		-0138	-0778	-0938																																																																																																																																																																																													
1 X 19		-0139	-0779	-0939																																																																																																																																																																																													
1 X 20		-0140	-0780	-0940																																																																																																																																																																																													
1 X 21		-0141	-0781	-0941																																																																																																																																																																																													
1 X 22		-0142	-0782	-0942																																																																																																																																																																																													
1 X 23		-0143	-0783	-0943																																																																																																																																																																																													
1 X 24		-0144	-0784	-0944																																																																																																																																																																																													
1 X 25		-0145	-0785	-0945																																																																																																																																																																																													
1 X 26		-0146	-0786	-0946																																																																																																																																																																																													
1 X 27		-0147	-0787	-0947																																																																																																																																																																																													
1 X 28		-0148	-0788	-0948																																																																																																																																																																																													
1 X 29		-0149	-0789	-0949																																																																																																																																																																																													
1 X 30		-0150	-0790	-0950																																																																																																																																																																																													
1 X 31		-0151	-0791	-0951																																																																																																																																																																																													
1 X 32		-0152	-0792	-0952																																																																																																																																																																																													
1 X 33		-0153	-0793	-0953																																																																																																																																																																																													
1 X 34		-0154	-0794	-0954																																																																																																																																																																																													
1 X 35		-0155	-0795	-0955																																																																																																																																																																																													
1 X 36		-0156	-0796	-0956																																																																																																																																																																																													
1 X 37		-0157	-0797	-0957																																																																																																																																																																																													
1 X 38		-0158	-0798	-0958																																																																																																																																																																																													
1 X 39	↓ -0159	↓ -0799	↓ -0959																																																																																																																																																																																														
1 X 40	90120-0160	90120-0800	90120-0960																																																																																																																																																																																														
FOR PREVIOUS DRAWING ISSUES SEE MRI.	J	SEE SHEET I.	DIMENSIONS SHOWN (METRIC) INCH UNLESS OTHERWISE SPECIFIED TOLERANCES: ANGULAR ± 1/2° INCH (METRIC) 3 PLACE # . --- # --- 2 PLACE # . --- # --- 1 PLACE # . --- # --- DRAFT WHERE APPLICABLE MUST REMAIN WITHIN DIMENSIONS	DRWG BY DB CHK'D BY APP'D BY SCALE																																																																																																																																																																																													
			DESIGN DIMENSION (PRIMARY) <input checked="" type="checkbox"/> (MM) <input type="checkbox"/> IN. EQUIVALENT DIMENSION (SECONDARY) <input type="checkbox"/> (MM) <input checked="" type="checkbox"/> IN.	TITLE C-GRID III SINGLE ROW STRAIGHT PIN HEADER SHEET NO. 20F DATE 16/ 7/87 PART NO. SEE CHART DWG NO. SDA-90120 SIZE B																																																																																																																																																																																													
REVISE ONLY ON CAD SYSTEM		SH.	REV.																																																																																																																																																																																														
CAD/CAM FILENAME: SA90120X2 DGN		THIS DRAWING CONTAINS INFORMATION THAT IS PROPRIETARY TO MOLEX INC. & SHOULD NOT BE USED WITHOUT WRITTEN PERMISSION																																																																																																																																																																																															
MOLEX EUROPE 7132-1283																																																																																																																																																																																																	
A	10	9	8	7	6	5	4	3	2	1																																																																																																																																																																																							