

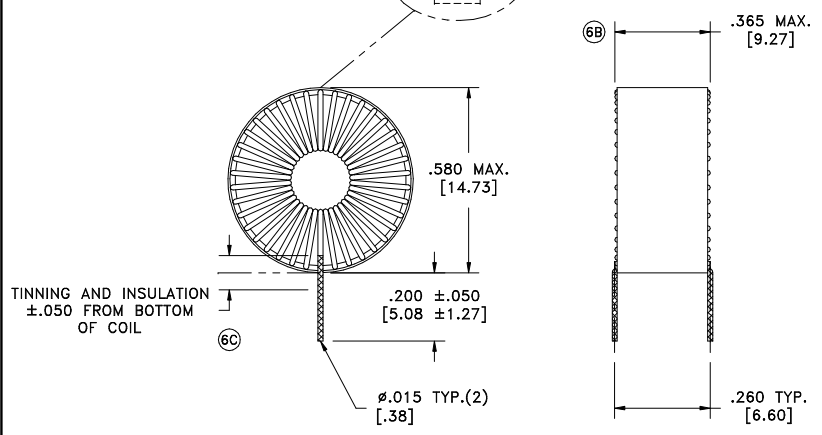
CUSTOMER TERMINAL	RoHS	LEAD(Pb)-FREE
Sn96%, Ag4%	Yes	Yes

more than you expect



WE-MIDCOM  
750311431  
-----  
-----  
-----  
-----

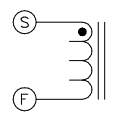
LOT CODE & DATE CODE



ELECTRICAL SPECIFICATIONS @ 25°C unless otherwise noted:

PARAMETER	TEST CONDITIONS	TEST CONDITIONS	VALUE
6B D.C. RESISTANCE	S-F	@20°C	0.57 ohms max.
INDUCTANCE	S-F	100kHz, 100mVAC, Ls	750uH $\pm$ 20%

GENERAL SPECIFICATIONS:  
CURRENT RATING: 250mADC.



DETAILS SUBJECT TO CHANGE

REV.	DATE	Packaging Specifications Method: Tray PKG-0788 www.we-online.com/midcom		Tolerances unless otherwise specified: Angles: $\pm$ 1° Decimals: $\pm$ .005 [.13] Fractions: $\pm$ 1/64 Footprint:	DRAWING TITLE <b>INDUCTOR</b>	PART NO. <b>750311431</b>
6C	12/10					
6B	6/10					
6A	4/10	SEE REVISION SHEET FOR REVISION LEVEL		This drawing is dual dimensioned. Dimensions in brackets are in millimeters.	eiSos p/n: 750311431	compliant RoHS SPECIFICATION SHEET 1 OF 1