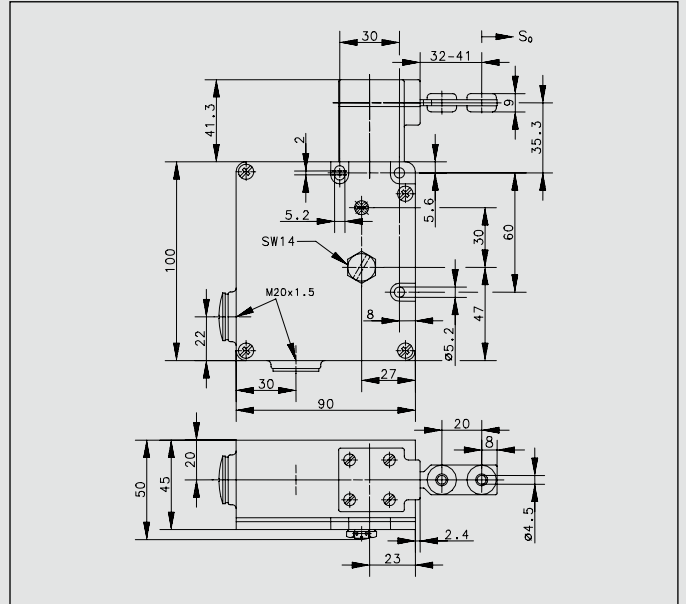


Safety Switches with Separate Actuator and Interlock

SLM

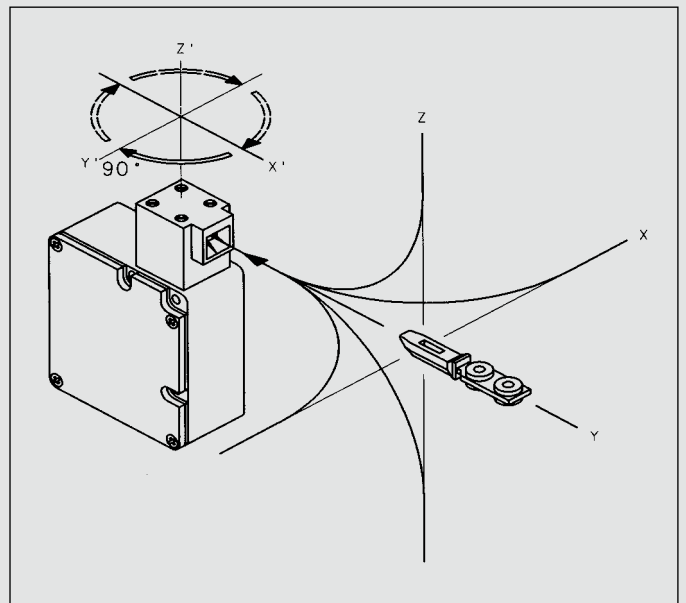


Product advantages

- Highly resistant in harsh industrial environments and with compact enclosure for space-saving installation
- Triple-coded actuator with high anti-tamper security
- Approach direction of actuator easily changed in 90° steps (repositioning only possible with actuator inserted)
- Entire function unit encapsulated on the inside
- Separate connection compartment for safe wiring at contact strip
- Two independent safety circuits ensure reliable integration
 - With two contacts, circuit 1 monitors the actuator
 - With two contacts, circuit 2 monitors the interlock
 - The contact configuration is variable and may deviate from the selection table if required
- Integrated protective circuit avoids polarity reversal and voltage peaks
- Function conforming to VDE 0660 Part 200, EN 60 947-5-1 and GS ET 19
- The SLM safety switches are supplied as standard with actuator A1

Options

- Individual contact configuration
- Radius actuator for actuating radii of less than 400 mm
- Auxiliary release
- Two independent safety circuits ensure reliable integration
- Solutions to customer specifications



Product selection

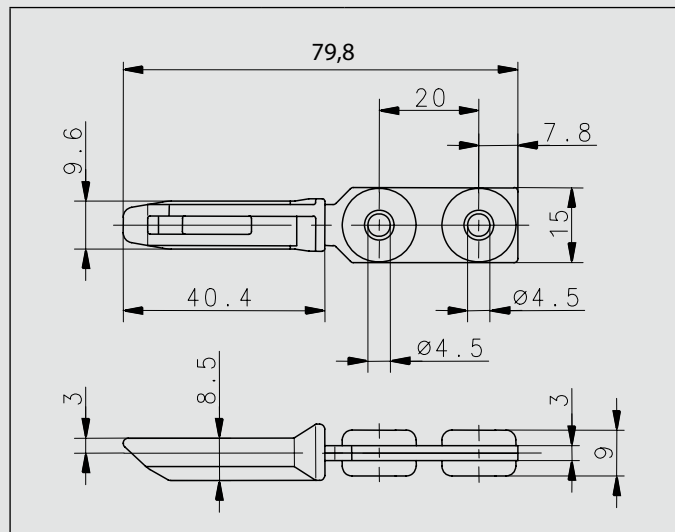
Article number	Designation	Locking action	Contacts		Supply voltage	Additional function
			Actuator	Interlock		
6017119020	SLM-FVTW 24DC-55-AR	Spring	1NC / 1NO	1NC / 1NO	24 Volt DC	Auxiliary release
6017169067	SLM-FVTW 24DC-22-AR	Spring	2 NC	2 NC	24 Volt DC	Auxiliary release
6017119047	SLM-FVTW 24DC-55-KR	Spring	1NC / 1NO	1NC / 1NO	24 Volt DC	With key release
6017169023	SLM-FVTW 24AC-22-AR	Spring	2 NC	2 NC	24 Volt AC	Auxiliary release
6017119032	SLM-FVTW 120AC-55-AR	Spring	1NC / 1NO	1NC / 1NO	120 Volt AC	Auxiliary release
6017119022	SLM-FVTW 230AC-55-AR	Spring	1NC / 1NO	1NC / 1NO	230 Volt AC	Auxiliary release
6017169066	SLM-MVTW 24DC-22	Magnet	2 NC	2 NC	24 Volt DC	
6017119023	SLM-MVTW 24DC-55	Magnet	1NC / 1NO	1NC / 1NO	24 Volt DC	
6017119024	SLM-MVTW 230AC-55	Magnet	1NC / 1NO	1NC / 1NO	230 Volt AC	

Technical data	Spring 24 Volt DC	Spring 120 Volt AC	Spring 230 Volt AC	Magnet 24 Volt DC	Magnet 230 Volt AC
Electrical data					
Rated insulation voltage U_i	250 V	250 V	250 V	250 V	250 V
Utilization category	AC-12, U_e / I_e 250 V / 10 A AC-15, U_e / I_e 230 V / 4 A	AC-12, U_e / I_e 250 V / 10 A AC-15, U_e / I_e 230 V / 4 A	AC-12, U_e / I_e 250 V / 10 A AC-15, U_e / I_e 230 V / 4 A	AC-12, U_e / I_e 250 V / 10 A AC-15, U_e / I_e 230 V / 4 A	AC-12, U_e / I_e 250 V / 10 A AC-15, U_e / I_e 230 V / 4 A
Conventional thermal current I_{the}	5 A	5 A	5 A	5 A	5 A
Short-circuit protection	10 A gL/gG	10 A gL/gG	10 A gL/gG	10 A gL/gG	10 A gL/gG
Protection class	I	I	I	I	I
Electromagnet					
Duty factor	100 % ED	100 % ED	100 % ED	100 % ED	100 % ED
Thermal class	B (130 °C)	B (130 °C)	B (130 °C)	B (130 °C)	B (130 °C)
Continuous power	5.2 W	5.2 W	5.2 W	5.2 W	5.2 W
Operating voltage	24 V DC	120 V AC	230 V AC	24 V DC	230 V AC
Mechanical data					
Enclosure	Al die-cast	Al die-cast	Al die-cast	Al die-cast	Al die-cast
Cover	Sheet aluminium	Sheet aluminium	Sheet aluminium	Sheet aluminium	Sheet aluminium
Actuator	ZN die-cast	Al die-cast	Al die-cast	Al die-cast	Al die-cast
Ambient temperature	-30 °C to +60 °C	-30 °C to +60 °C	-30 °C to +60 °C	-30 °C to +60 °C	-30 °C to +60 °C
Switching principle	4 Slow-action contacts	4 Slow-action contacts	4 Slow-action contacts	4 Slow-action contacts	4 Slow-action contacts
Mechanical service life	1 x 10 ⁶ switching cycles	1 x 10 ⁶ switching cycles	1 x 10 ⁶ switching cycles	1 x 10 ⁶ switching cycles	1 x 10 ⁶ switching cycles
B10d	2 mill.	2 mill.	2 mill.	2 mill.	2 mill.
Minimum actuating radius R_{min}	400 mm	400 mm	400 mm	400 mm	400 mm
Approach speed V_{max}	1.5 m/s	1.5 m/s	1.5 m/s	1.5 m/s	1.5 m/s
Mounting	3 x M5	3 x M5	3 x M5	3 x M5	3 x M5
Cross sections	0.5 - 1.5 mm ²	0.5 - 1.5 mm ²	0.5 - 1.5 mm ²	0.5 - 1.5 mm ²	0.5 - 1.5 mm ²
Type of connection	Screws	Screws	Screws	Screws	Screws
Cable entry	2 x M20 x 1.5	2 x M20 x 1.5	2 x M20 x 1.5	2 x M20 x 1.5	2 x M20 x 1.5
Weight	≈ 0.81 kg	≈ 0.81 kg	≈ 0.81 kg	≈ 0.81 kg	≈ 0.81 kg
Protection class	IP67 conforming to IEC/EN 60529	IP67 conforming to IEC 529	IP67 conforming to IEC 529	IP67 conforming to IEC 529	IP67 conforming to IEC 529
Installation position	Any	Any	Any	Any	Any
Locking principle	Spring force	Spring force	Spring force latching	Spring force latching	Spring force latching
Latching force	≤ 1000 N to GS-ET 19	≤ 1000 N to GS-ET 19	≤ 1000 N to GS-ET 19	≤ 1000 N to GS-ET 19	≤ 1000 N to GS-ET 19

Safety Switches with Separate Actuator and Interlock

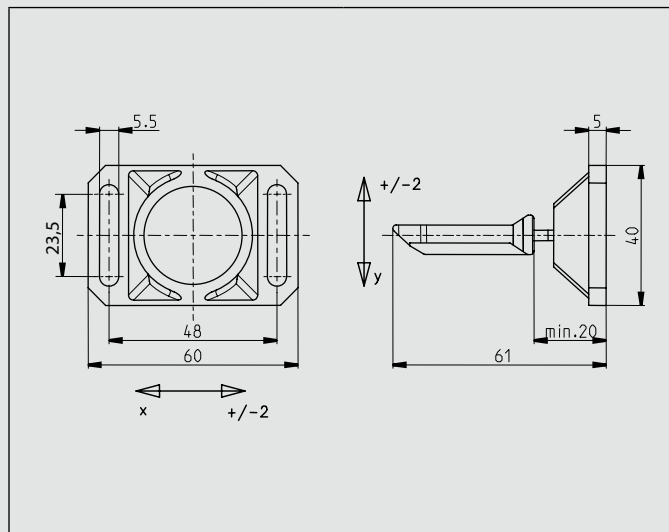
Product selection SLK, SLM, ENK-VTU, ENM2-VTW

Article number	Designation
3911702228	Actuator A1



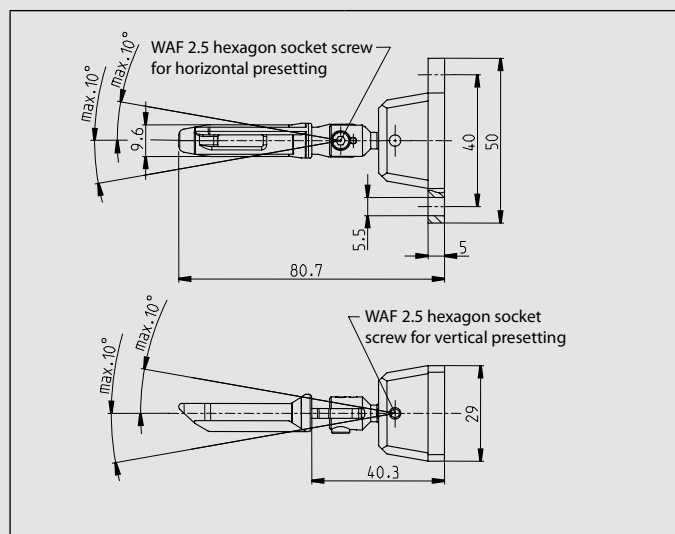
Mechanical data		
Actuator		Steel/PA
Minimum actuating radius	R _{min}	400 mm

Article number	Designation
3911702231	Actuator A4



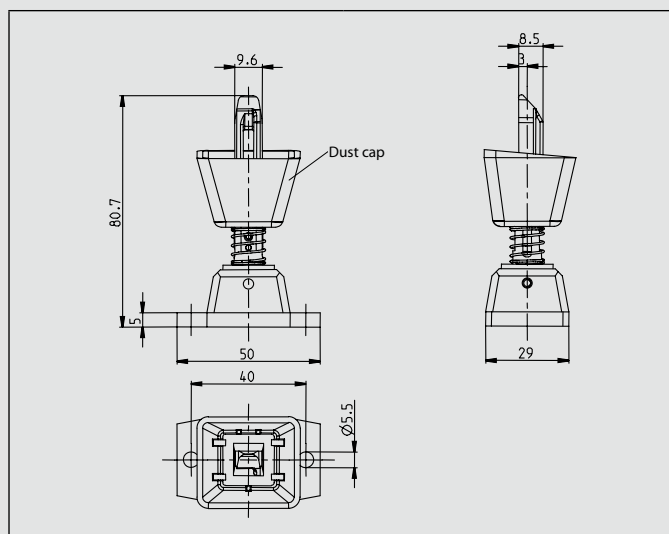
Mechanical data		
Actuator		Steel/PA
Enclosure		GD-Zn
Minimum actuating radius	R _{min}	350 mm
Repositioning of spring-mounted actuator by 4 x 90° in mounted state.		

Article number	Designation
3911702229	Actuator A2



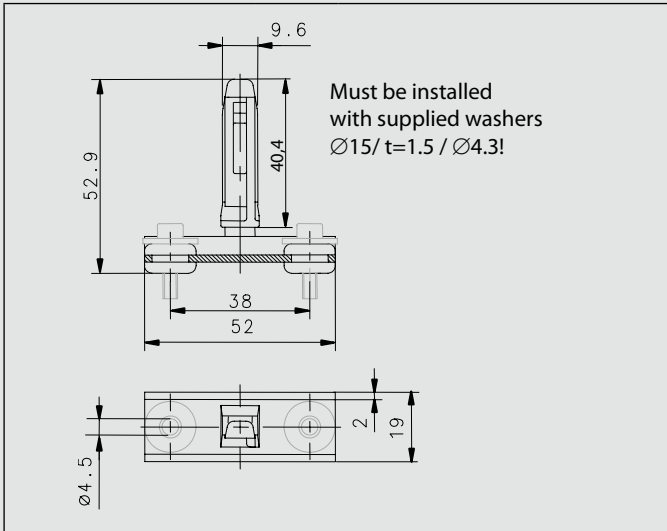
Mechanical data		
Enclosure / Actuator		Steel/PA
Minimum actuating radius	R _{min}	150 mm
Repositioning of spring-mounted actuator by 4 x 90° in not mounted state.		
WAF 2.5 Allen key, supplied		

Article number	Designation
3911702230	Actuator A3



Mechanical data		
Enclosure / Actuator		Steel/PA
Dust cap		Elastomer CR
Minimum actuating radius	R _{min}	400 mm
Repositioning of spring-mounted actuator by 4 x 90° in not mounted state.		

Article number	Designation
3911702234	Actuator A7



Mechanical data		
Actuator		Steel/PA
U-section		Steel
Minimum actuating radius	R_{min}	400 mm