

Datasheet - AZM 161-B1E

Solenoid interlock / AZM 161 / Actuator



(Minor differences between the printed image and the original product may exist!)

Ordering details

Product type description	AZM 161-B1E
Article number	1144416
EAN code	4030661283203

Global Properties

Product name	Gerader Betätiger AZM 161-B1E
Weight	30 g

Mechanical data

Design of actuators	straight
Minimum actuating radius	150 mm

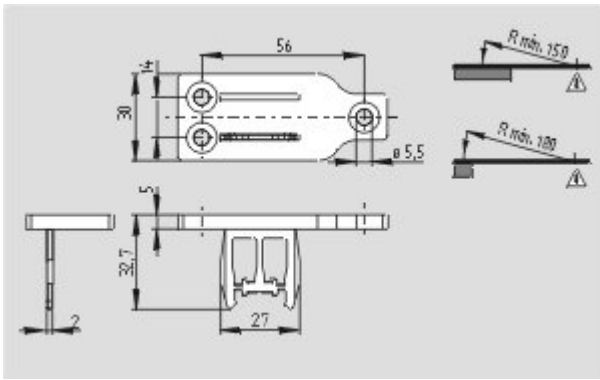
notice

The axis of the hinge should be 5 mm above the top edge of the safety switch and in the same plane
Minimum actuating radius on hinged guards 150 mm

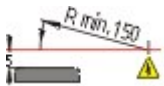
Documents

Mounting and wiring instructions (de, en, fr, it, es, jp) 203 kB, 08.07.2008
http://127.0.0.1/Bilddata/Azm/Pdf/Azm161/montage/m_zm1p02.pdf

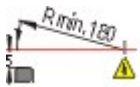
Images



Dimensional drawing (miscellaneous)



Actuating radius



Actuating radius

K.A. Schmersal GmbH, Möddinghofe 30, D-42279 Wuppertal

The data and values have been checked thoroughly. Technical modifications and errors excepted.

Generiert am 21.04.2011 - 14:36:04h Kasbase 1.4.7 DBI