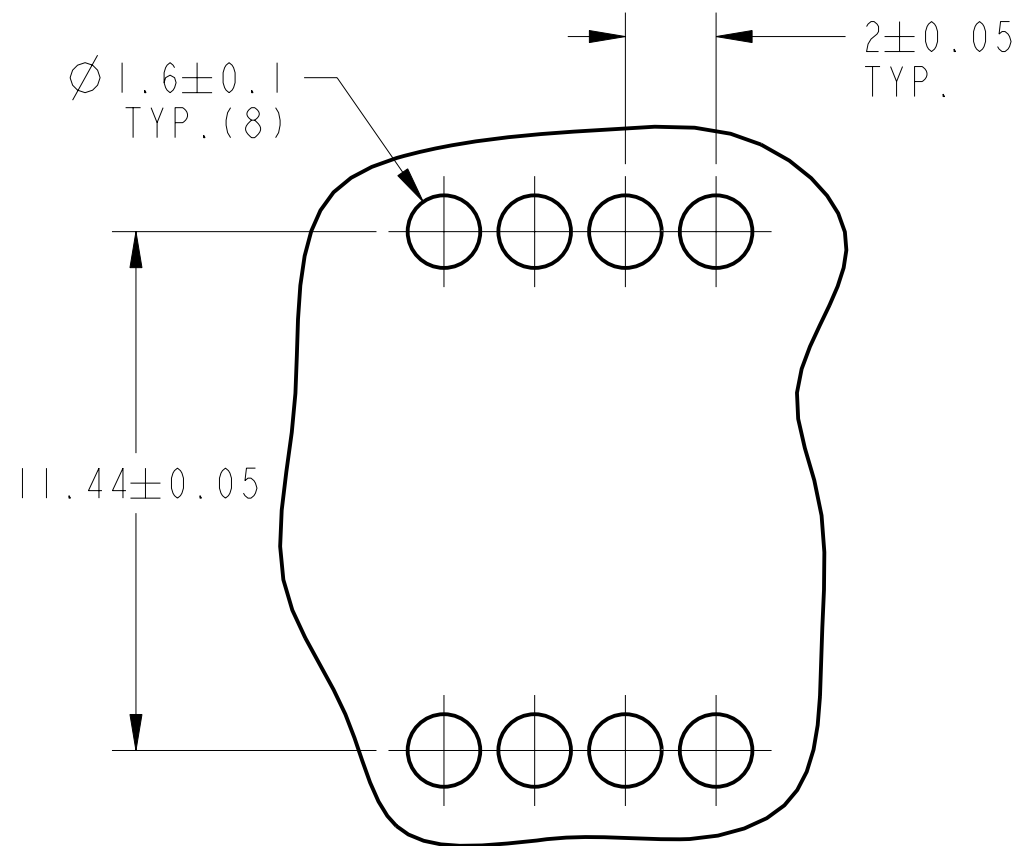
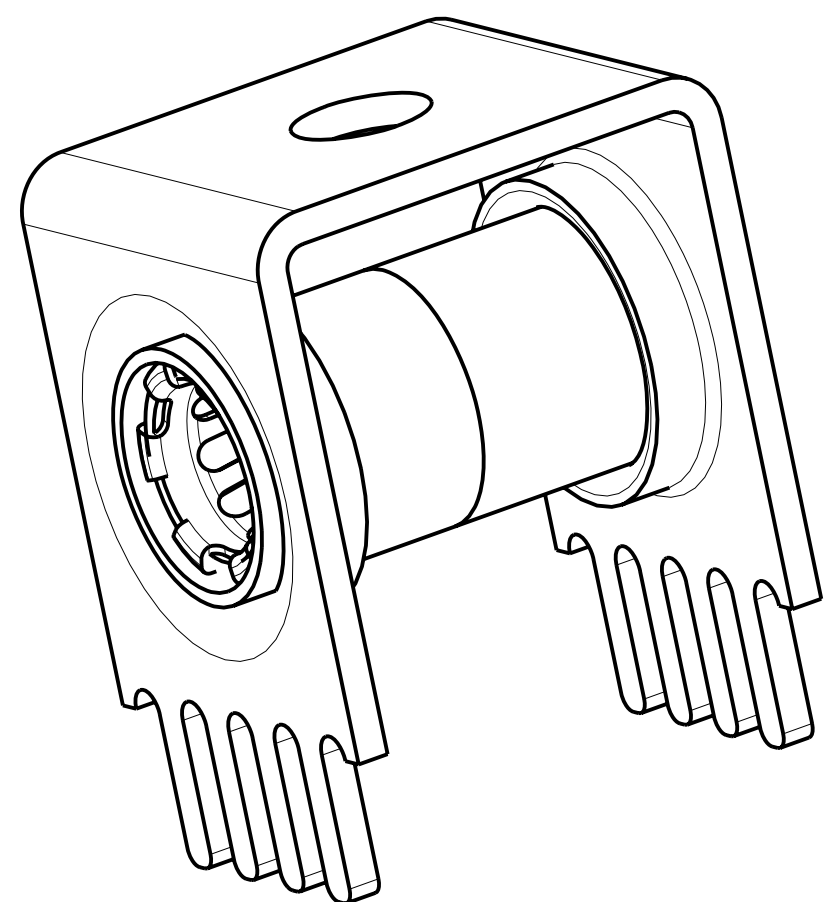


| | | | | | |
|-----------|---------------------------------|--------------|--|---------------|--|
| D | | SHEET 1 OF 1 | | 10-639801-000 | |
| REVISIONS | | | | | |
| LTR | DESCRIPTION | DATE | | | |
| A | INITIAL RELEASE | | | | |
| B | PART 10-639799-002 ADDS A ROUND | 07-09-05 | | | |
| C | MODIFY THE DIMENSION | 07-09-26 | | | |
| D | ADD PCB LAYOUT | 07-10-08 | | | |



LINEAR DIMENSIONS ARE IN MM
THRU HOLES SPECIFICATION OF PCB

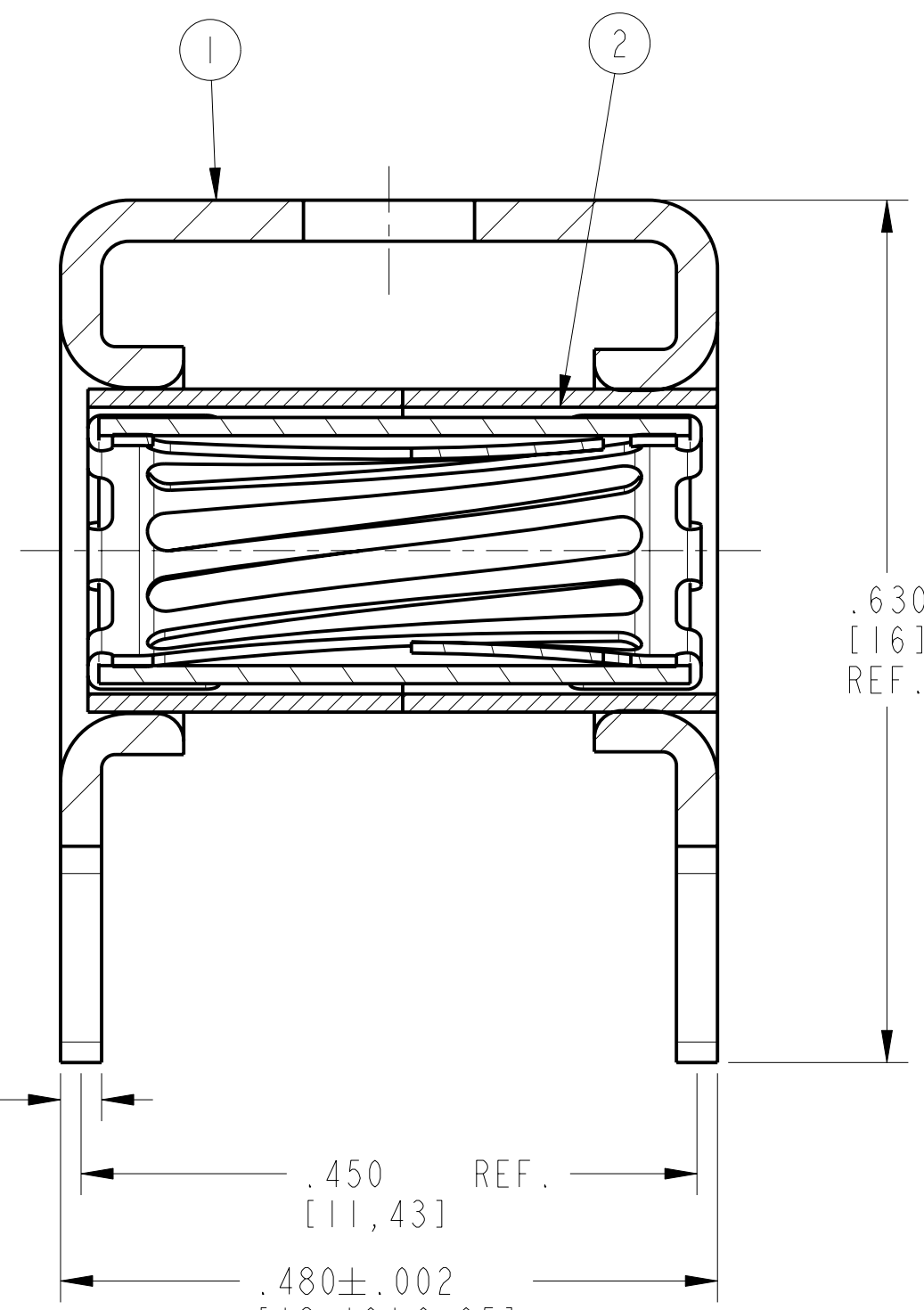
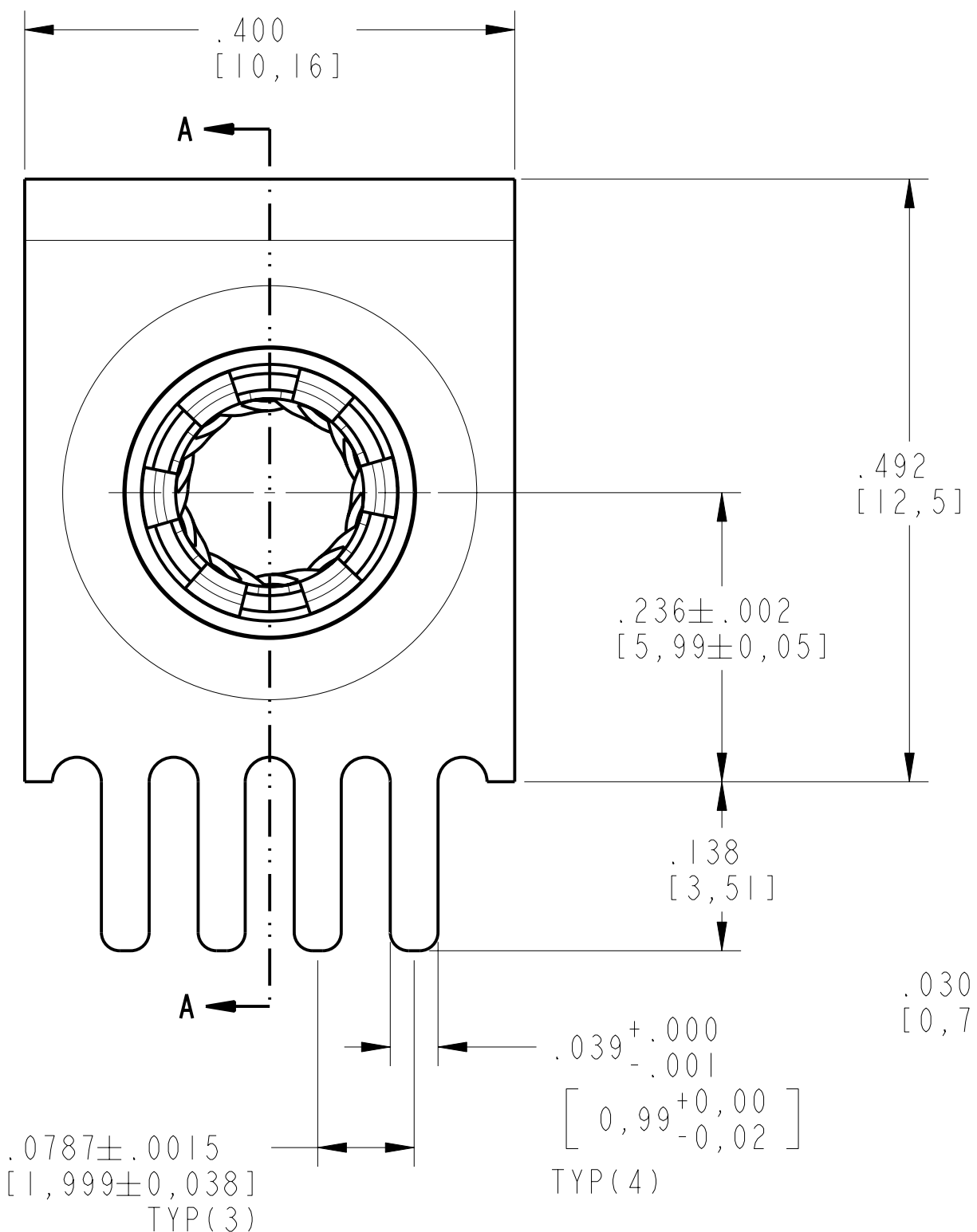


SCALE 6.000

NOTES:

THE USE OF THIS DOCUMENT IS UNLIMITED. HOWEVER, DOCUMENTS REFERENCED HEREON MAY CONTAIN LIMITED RIGHTS DATA.

| | |
|-----|--|
| N/A | PRO/ENGINEER INFORMATION |
| N/A | Pro/e Model Used: 10-639801...ASSEM |
| | Drawing Name: 10-639801... |
| | NEXT ASSEMBLY |



SECTION A-A

| POS | QTY | PART NUMBER | DESCRIPTION | NOTE |
|-----|-----|---------------|-------------------------------|------|
| 2 | 1 | 10-639358-001 | 3.6MM "SHORT" RADSOK ASSEMBLY | |
| 1 | 1 | 10-639799-002 | 3.6MM PGY MOUNT HOLDER | |

| | | |
|------------------------|-------------|-----------|
| APPROVALS | | DATE |
| PREPARED BY | M. UPPLER | 03-Sep-07 |
| ENGINEER IN CHARGE | M. UPPLER | |
| DESIGN MANAGER | J. SANDBURG | |
| DESIGN ACTIVITY GROUP | C & I | |
| THIRD ANGLE PROJECTION | | |
| | | |

| | | | |
|---|-----------|---------------|--------------|
| PARTS LIST | | | |
| AMPHENOL CORPORATION | | | |
| <small>40-60 DELAWARE AVENUE SIDNEY, N.Y. 13838</small> | | | |
| 3.6MM RADSOK PCB MOUNT ASSEMBLY | | | |
| SIZE | CAGE CODE | DOCUMENT NO. | REV. |
| C | 77820 | 10-639801-000 | D |
| SCALE: 8.0 REF: | | N/A | SHEET 1 OF 1 |

| | |
|--|----------------------------|
| UNLESS OTHERWISE SPECIFIED | SPECIFICATIONS |
| LINEAR DIMENSIONS ARE IN INCHES TOLERANCES: .XXXX = ±.0005 ANGLES= ±2° .XXX = ±.010 .XX = ±.03 .X = ±.1 | MATERIAL SPEC. N/A - |
| DIM. & TOL. PER ASME Y14.5M; DRM PER MIL-DTL-31000; OTHER Amphenol Sids. PER 9-3800 | PROCESS SPEC. N/A - |
| LEGENDS: =FLAG NOTE CALL OUT REFERENCE ONLY | |

DOCUMENT NO. 10-639801-000 SHEET 1 OF 1 REV. D

DOCUMENT NO. 10-639801-000 SHEET 1 OF 1 REV. D