

10-665213-001

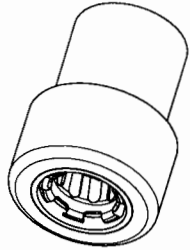
SHEET 1 OF 1

A

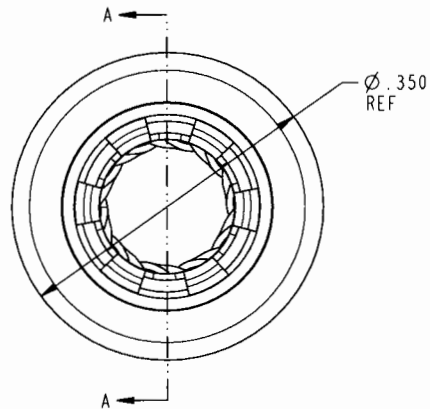
C

B

A



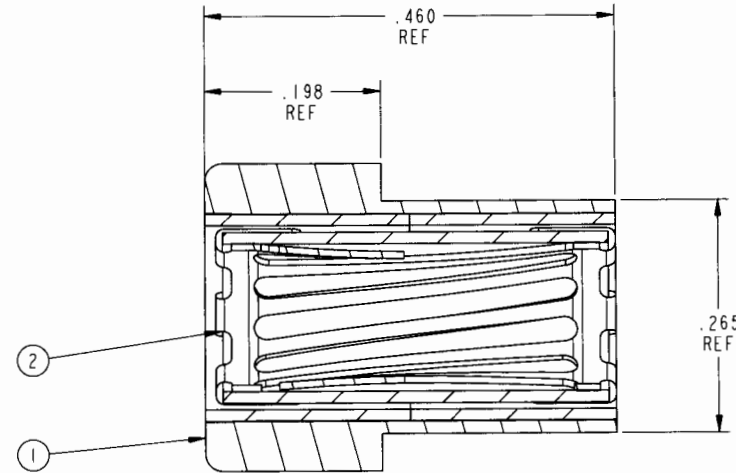
SCALE 5.000



ORIGINAL COPY (正原本版)  
08 JAN 2008  
DOCUMENT CONTROL

10-665213-001	
REVISIONS	
LTR	DESCRIPTION
A	INITIAL RELEASE

William Jim 08.1.8



SECTION A-A

- 3) RADSERT TO BE INSERTED INTO .289 +/- .005 FINISHED PTH THEN SOLDERED
- 2) SILVER PLATE PER C9-9417-1
- 1) APPROX. SURFACE AREA: 2.670 SQ. IN.

NOTES:

THE USE OF THIS DOCUMENT IS UNLIMITED. HOWEVER, DOCUMENTS REFERENCED HEREON MAY CONTAIN LIMITED RIGHTS DATA.

N/A NEXT ASSEMBLY

PRO/ENGINEER INFORMATION  
Proto Model Used:  
10-665213-001.AB00A  
Drawing Name:  
10-665213-001

UNLESS OTHERWISE SPECIFIED

LINEAR DIMENSIONS ARE IN INCHES  
TOLERANCES:  
.XXXX = ±.0005 ANGLES = ±2°  
.XXX = ±.010  
.XX = ±.03  
.X = ±.1

DIM. & TOL. PER ASME Y14.5M;  
DRN PER MIL-DTL-31000;  
OTHER AMPHENOL SIDS. PER 9-3800

LEGEND  
= FLAG NOTE CALL OUT REFERENCE ONLY

SPECIFICATIONS

MATERIAL SPEC. N/A

PROCESS SPEC. SEE NOTE #2

POS	QTY	PART NUMBER	DESCRIPTION	NOTE
2	1	10-639358-00B	3.6MM SHORT RADSOK	
1	1	10-665212-00B	3.6MM RADSERT HOLDER	

PARTS LIST

APPROVALS

DATE

PREPARED BY: M. UPPLERGER

CHECKED BY: M. UPPLERGER

DESIGN MANAGER: S. FITZGERALD

DATE: 08-Mar-07

THIRD ANGLE PROJECTION

AMPHENOL CORPORATION

3.6MM RADSOK RADSERT ASSEMBLY  
SOLDER VERSION MATES WITH 3.6MM PIN

SIZE: C

CAGE CODE: 77820

DOCUMENT NO.: 10-665213-001

SCALE: 10:0

SHEET 1 OF 1

10-665213-001

SHEET 1 OF 1

A

A