

DO NOT SCALE FROM THIS PRINT

NOTES:

1. Ⓢ REPRESENTS A CRITICAL DIMENSION.
2. BURR ALLOWANCE: 0.038[.0015] MAX.
3. PARTS TO BE PACKAGE IN TRAYS.
4. ROSH COMPLIANT.

DESIGNED & DIMENSIONED IN MILLIMETERS [INCHES]

MUSBR-05-X-O-B-SM-A-X-XX

No. OF CONTACTS  
-05

ALIGNMENT PINS  
-A

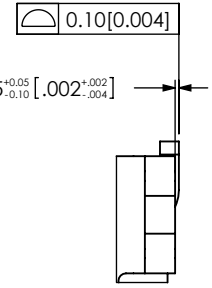
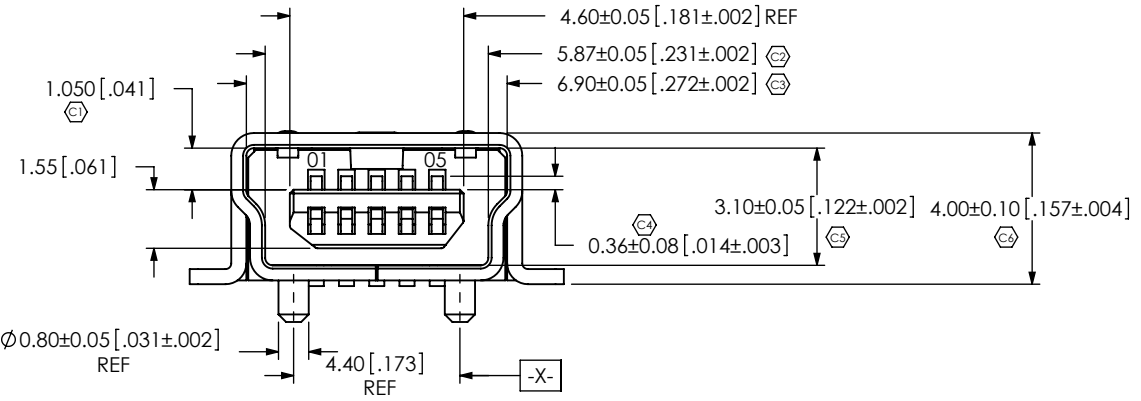
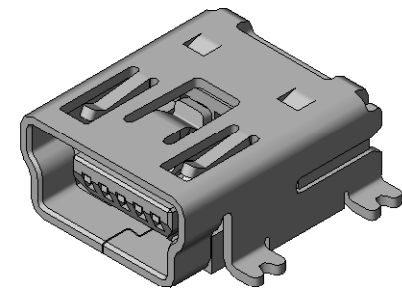
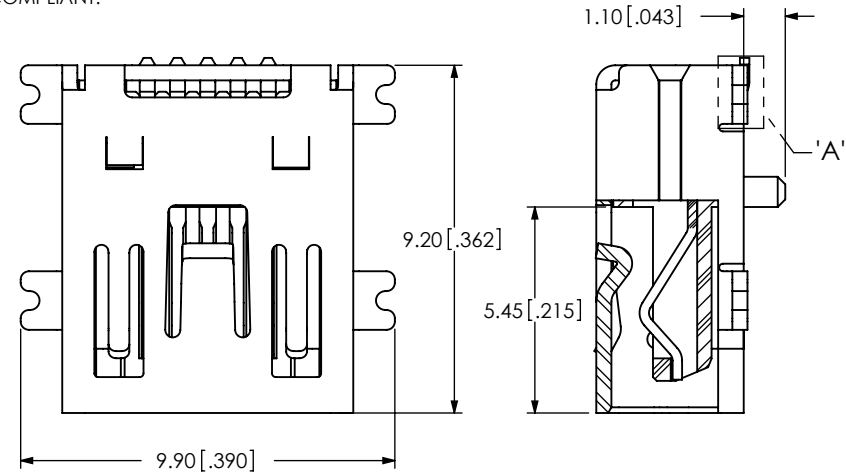
RA TERMINATION  
-SM: SURFACE MOUNT

TYPE  
-B

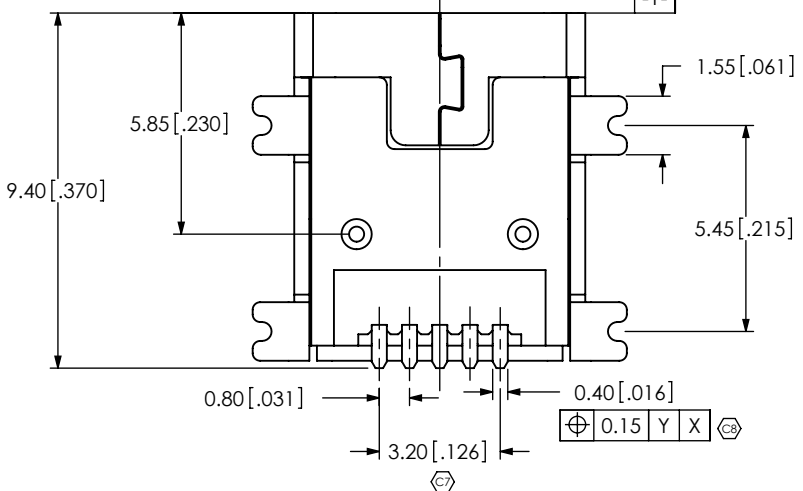
PLATING SPECIFICATION

- F: SELECTIVE FLASH GOLD  
.000003 MIN ON CONTACT AREA,  
.0001-.0002 BRIGHT ACID TIN ON TAIL  
WITH .000050 MIN NICKEL UNDERPLATING OVERALL
- [B] WITH .000050 MIN NICKEL UNDERPLATING OVERALL
- S: SELECTIVE GOLD  
.000030 MIN ON CONTACT AREA,  
.0001-.0002 BRIGHT ACID TIN ON TAIL  
WITH .000050 MIN NICKEL UNDERPLATING OVERALL
- [B] WITH .000050 MIN NICKEL UNDERPLATING OVERALL

COLOR  
-O: ORANGE



DETAIL 'A'  
SCALE 10:1



F:\DWG\MISC\Mktg\MUSBR-05-X-O-B-SM-A-MKT.SLDDRW

<p>UNLESS OTHERWISE SPECIFIED, DIMENSIONS ARE IN MILLIMETERS [INCHES]. TOLERANCES ARE: DECIMALS ANGLES X.X: ±0.25 [.01] 2° X.XX: ±0.13 [.005] X.XXX: ±0.050 [.0020]</p>	<p>PROPRIETARY NOTE THIS DOCUMENT CONTAINS INFORMATION CONFIDENTIAL AND PROPRIETARY TO SAMTEC, INC. AND SHALL NOT BE REPRODUCED OR TRANSFERRED TO OTHER DOCUMENTS OR DISCLOSED TO OTHERS OR USED FOR ANY PURPOSE OTHER THAN THAT WHICH IT WAS OBTAINED WITHOUT THE EXPRESSED WRITTEN CONSENT OF SAMTEC, INC.</p>	<p><b>samtec</b> 520 PARK EAST BLVD, NEW ALBANY, IN 47150 PHONE: 812-944-6733 FAX: 812-948-5047 e-Mail: info@SAMTEC.com code: 55322</p>	
		<p>MATERIAL: DO NOT SCALE DRAWING SHEET SCALE: 1:0.2 INSULATOR :PA9T + 30% GF, COLOR: ORANGE CONTACT: PHOS BRONZE UNDER .000050~.000080 NICKEL PLATED. SHELL: BRASS .000050~.000120 NICKEL PLATED.</p>	
<p>DESCRIPTION: HIGH RETENTION MINI USB TYPE B</p>		<p>DWG. NO. <b>MUSBR-05-X-O-B-SM-A-X-XX</b></p>	
<p>BY: ORWELLZ 3/09/2009</p>		<p>SHEET 1 OF 1</p>	