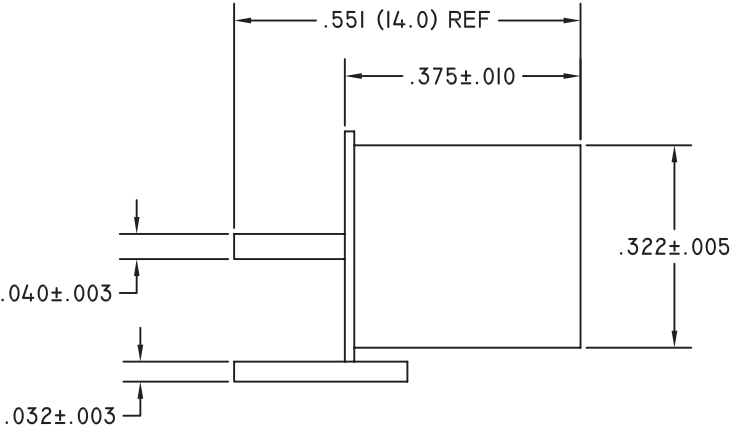
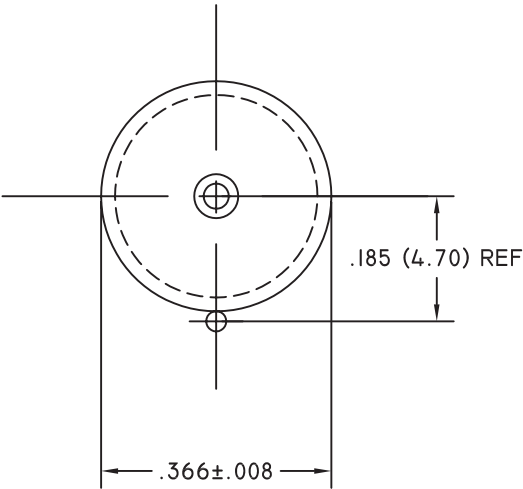


REV.	DATE	REVISION DESCRIPTION	DR.
A	06/25/99	ORIGINAL	S.H.
B	06/10/04	ECN 2004-121	C.R.

ENVIRONMENTALLY FRIENDLY MOTION SENSOR, CONTAINS NO HAZARDOUS MATERIAL

NOTES:

- I. ELECTRICAL:
 - I.1 CONTACT CAPACITY 25 MA MAX., 24 VDC MAX.
 - I.2 CONTACT RESISTANCE 5 OHMS NOM.
- 2. OPERATE:
 - 2.1 MOTION SENSOR, BOTH STARTING AND ENDING POSITIONS MAY BE EITHER N.O. OR N.C.
 - 2.2 OPERATING TEMPERATURE -37 DEG. TO 100 DEG. C.
- 3. EXTERNAL FINISH:
 - 3.1 GOLD PLATED



COMUS INTERNATIONAL			
454 ALLWOOD ROAD, CLIFTON, NEW JERSEY 07012		TEL. (973) 777-6900	
UNSPECIFIED TOLERANCES DECIMAL: .XX ± .01 [.254] .XXX ± .005 [.127] FRACTIONAL: ± 1/64 [.397] ANGULAR: ± 1/2°	REF.: MS24	SCALE: NONE	DRAWN BY: C.R. DATE 06/11/04
TITLE: VIBRATION AND MOVEMENT SENSOR			
ENGINEERING QUALITY PRODUCTION APPROVAL		DATE: 06/10/04 DRAWING #: AU2400-1	
	SIGNATURE		DATE
