

LET-105-12V/240V R LB Lite Beetle

SPECIFICATIONS

Standards/Approvals

VDE and VDE-EMV approved
Transformer meets CE standards
RoHS compliant

Available Version

901105240LB-Standard Version

Mechanical and Thermal

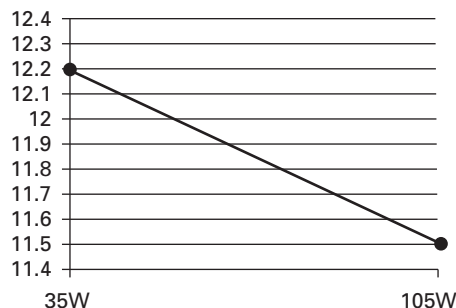
Dimensions(mm) 30 x 51 x 113.5
Weight 120 grams
Tc Max 85°C
Ta Max 45°C
PC plastic casing
Removable mounting ears



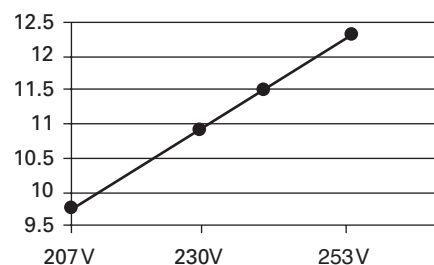
Electrical

Maximum load 105W
Minimum load with dimmer 35W
Input 230-240V 50/60Hz
Output at Max. load 11.5V 35kHz
Input current at Max. load 9A
Output current at Max. load 9.5A
Power factor Min. 0.98
Dimmable
EMC (RFI) EN 55015
Harmonics EN 61000-3-2
Electrostatic Discharge IEC61000-4-2
EMC Immunity IEC61000-4-3
Burst IEC61000-4-4
Surge IEC61000-4-5
Injected RF IEC61000-4-6
Mains interruption IEC61000-4-11
Immunity EN 61547/61047
Safety EN 61347
SELV

Output Voltage vs. Load at 240V

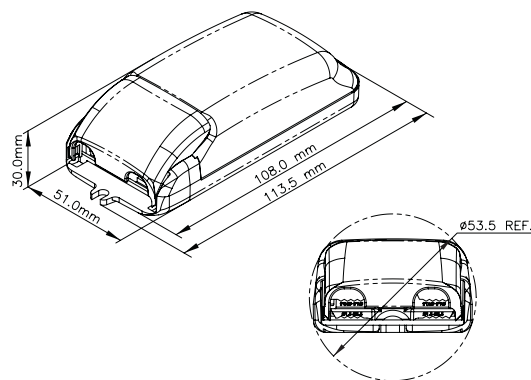


Output vs. Input at Max. Load



Short Circuit and Thermal Protection

Electronic internal universal resettable short circuit protection. Auto-Reset thermal cut-off @ 100C.



See reverse side for more information →



LIGHTTECH™

WWW.LIGHTTECHINC.COM

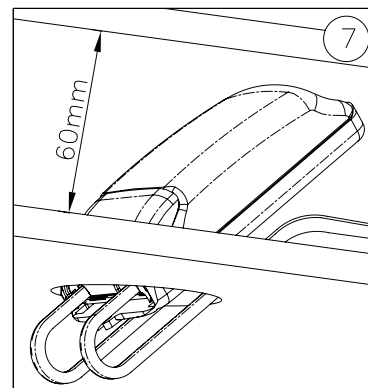
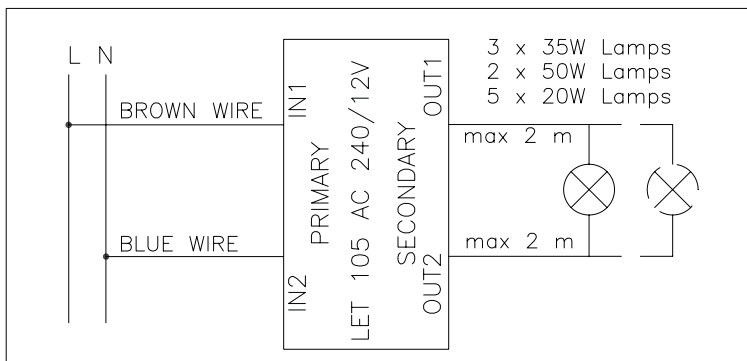
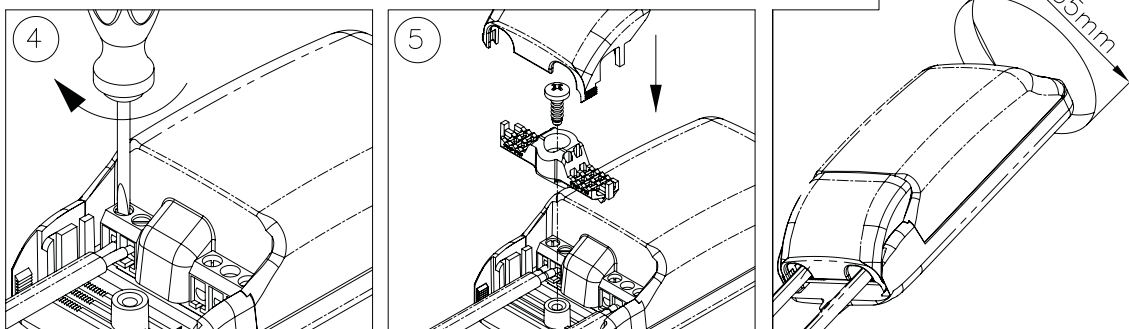
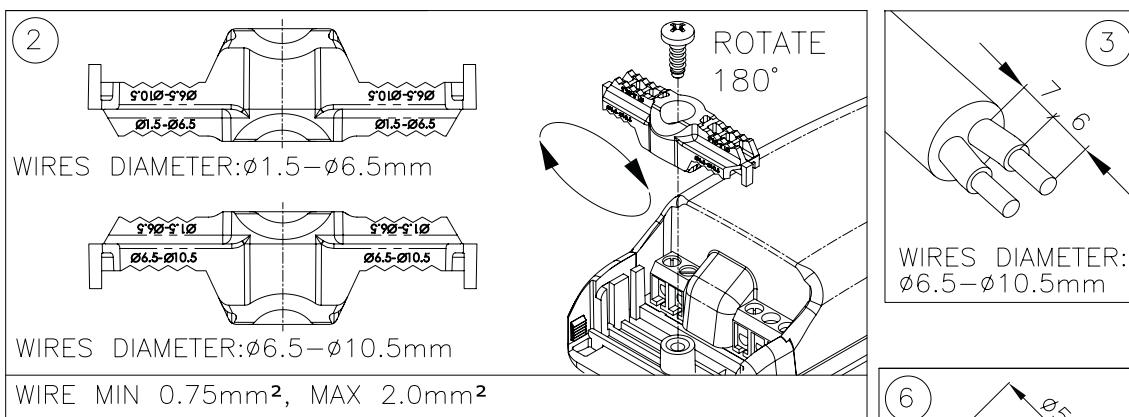
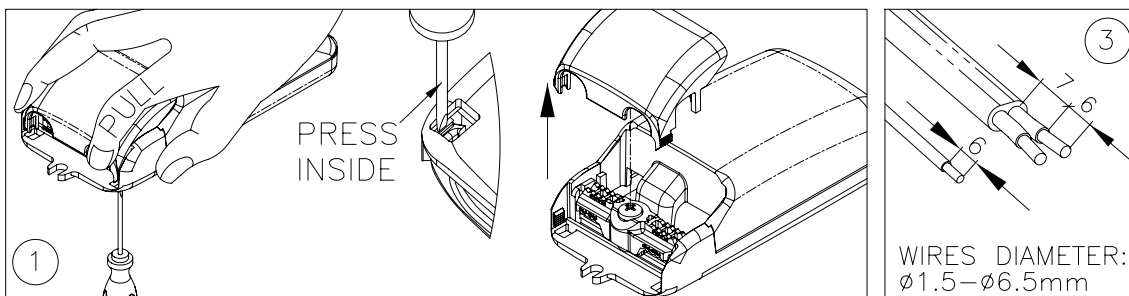
www.lighttechinc.com

LET-105-12V/240V R LB

Lite Beetle

Mounting Instructions

Electronic safety isolating transformer for wires $\phi 1.5\text{--}\phi 10.5\text{mm}$



Safety Instructions:

1. Please note national installation regulations.
2. The measurement of output voltage can only be done with suitable measuring instruments.