

LED POWER SUPPLY DC CC, POTTED
LED 12 DC 350mA P/PSLV
LED 12 DC 500mA P
LED 12 DC 700mA P
LED 12 DC 1050mA P

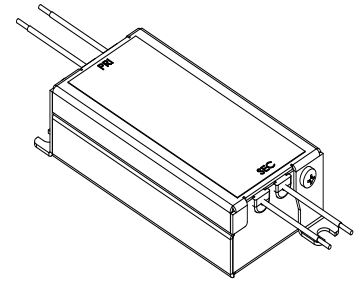
LED

Features

1. Designed for IP67
2. Designed for UL
3. Reinforced insulation from input to output
4. Small dimensions
5. Protections: Electronic internal Self-Resettable Short Circuit, Input Voltage Surge, Thermal
6. AC Input
7. Fast Start-Up Time
8. Hi-efficiency, very high Vout range (up to 2-35V)

Applications

1. LED in- and outdoor lighting
2. Street lighting
3. Architectural lighting
4. Orientation lighting
5. Ambience lighting
6. Task, Table and Floor lighting

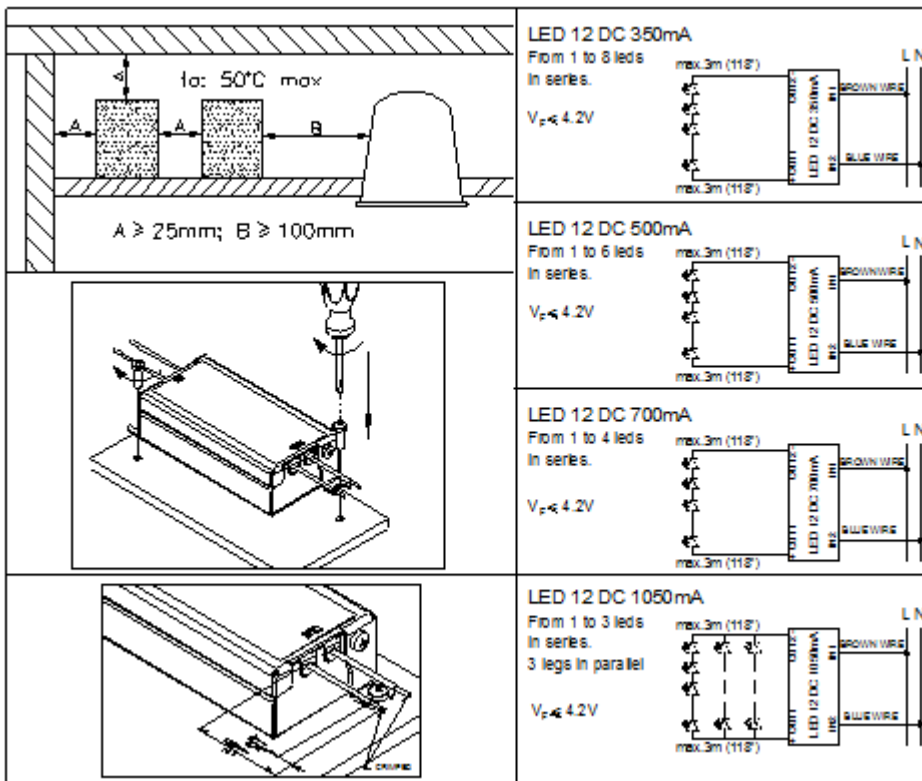
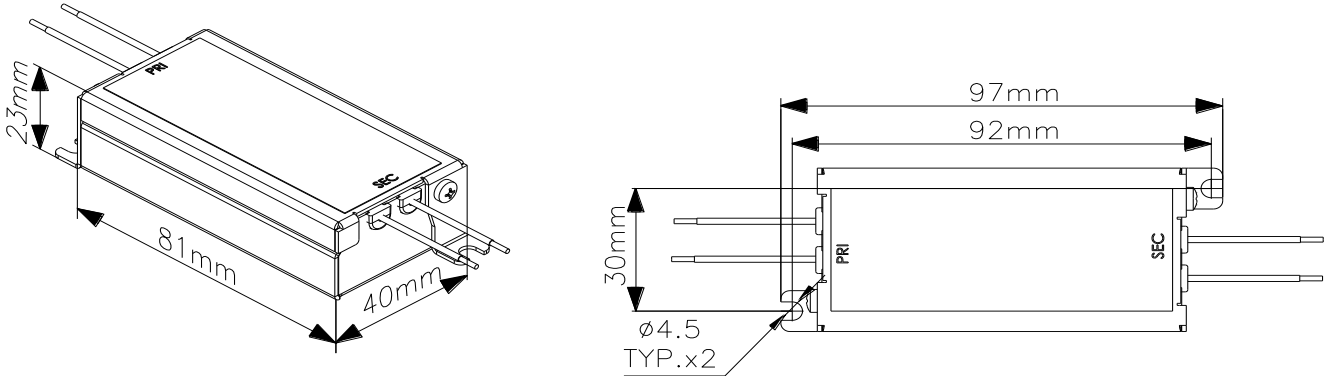


Specifications

| VERSION | | 12W 350mA | 12W 500mA | 12W 700mA | 12W 1050mA |
|-------------|--|---------------------|---------------------|---------------------|---------------------|
| SKU No. | | 901012350P/PSLV* | 901012500P | 901012700P | 9010121050P |
| INPUT | VOLTAGE RANGE (V) | 120-240 | 120-240 | 120-240 | 120-240 |
| | FREQUENCY RANGE (Hz) | 0/50/60 | 0/50/60 | 0/50/60 | 0/50/60 |
| | POWER FACTOR | 0.5 | 0.5 | 0.5 | 0.5 |
| | EFFICIENCY (Typ.)% | 80 | 79 | 79 | 77 |
| | AC CURRENT (A) | 0.21-0.14 | 0.21-0.14 | 0.21-0.14 | 0.21-0.14 |
| | INRUSH CURRENT LIMITER | NO | | | |
| OUTPUT | VOLTAGE (V) Note 3 | 2-35 | 2-26 | 2-18 | 2-12.5 |
| | CURRENT (A) Note 3 | 0.35 | 0.5 | 0.7 | 1.05 |
| | RATED POWER (W) | 12 | 12 | 12 | 12 |
| DIMMABLE | YES/NO | NO | | | |
| PROTECTION | INPUT VOLTAGE SURGE | YES | | | |
| | OVER TEMPERATURE | YES | | | |
| | SHORT CIRCUIT PROTECTION | YES | | | |
| | REINFORCED INSULATION | YES | | | |
| ENVIRONMENT | Ta (°C) | -25...+50 | -25...+50 | -25...+50 | -25...+50 |
| | Tc (°C) | 65 | 65 | 65 | 65 |
| | WORKING HUMIDITY | IP67 | IP67 | IP67 | IP67 |
| | STORAGE TEMP. (°C) | -10...+70 | -10...+70 | -10...+70 | -10...+70 |
| STANDARDS | VDE SAFETY | PENDING | | | |
| | VDE EMC | PENDING | | | |
| | UL | N/A | | | |
| MECHANICAL | PLASTIC/ METAL CASE | METAL-BLK/SLV | METAL BLACK | METAL-BLACK | METAL-BLACK |
| | INPUT WIRES COLOR | BRW/BLU | BRW/BLU | BRW/BLU | BRW/BLU |
| | INPUT WIRES SIZE | 0.75mm ² | 0.75mm ² | 0.75mm ² | 0.75mm ² |
| | OUTPUT WIRE COLOR | BLK/RED | BLK/RED | BLK/RED | BLK/RED |
| | OUTPUT WIRE SIZE | 18AWG | 18AWG | 18AWG | 18AWG |
| | WEIGHT | | | | |
| NOTE | 1. All parameters are measured at rated input, rated load and 25°C of ambient temperature. | | | | |
| | 2. Specifications may vary from time to time without notice. | | | | |
| | 3. Tolerance: includes set up tolerance, line regulation and load regulation. | | | | |
| | 4. Subject to standard warranty, terms and conditions as published from time to time. | | | | |
| | * SLV SILVER COLOR ITEMS HAVE MINIMUM ORDER QUANTITY, ASK YOUR SALES REP FOR DETAILS | | | | |

LED 12 DC 350mA P/PSLV
 LED 12 DC 500mA P
 LED 12 DC 700mA P
 LED 12 DC 1050mA P

Mechanical Drawing



V_F – Maximum LED Voltage drop

Safety Instructions

1. Always disconnect power before installation and/or removal of the unit.
2. Install in accordance with national and local electrical codes.